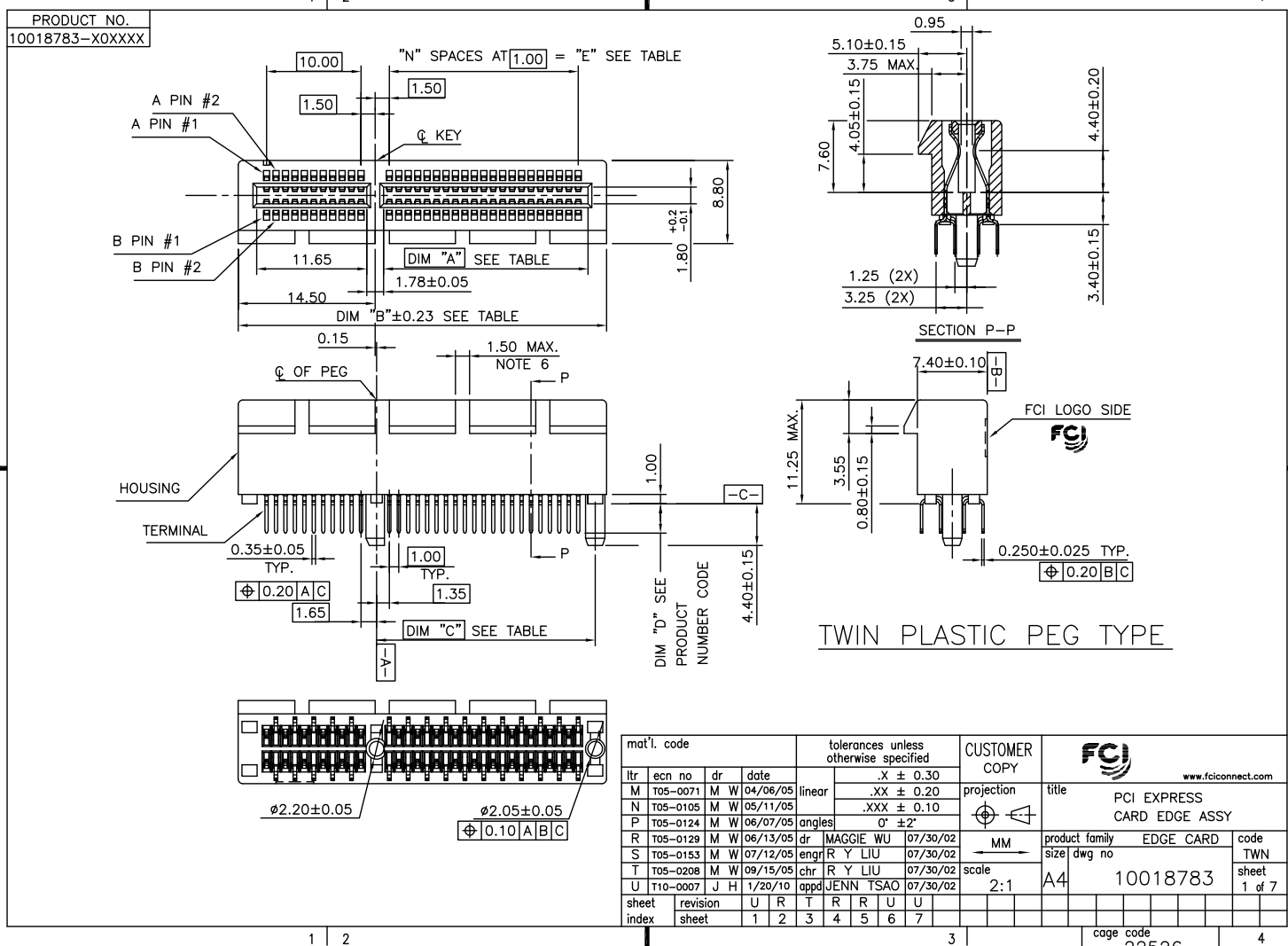


Tous droits strictement réservés. Reproduction ou communication à des fins
 interdites sous quelque forme que de soit sans autorisation écrite du propriétaire.
 Property of FCI. Copyright FCI. Droits de reproduction FCI.



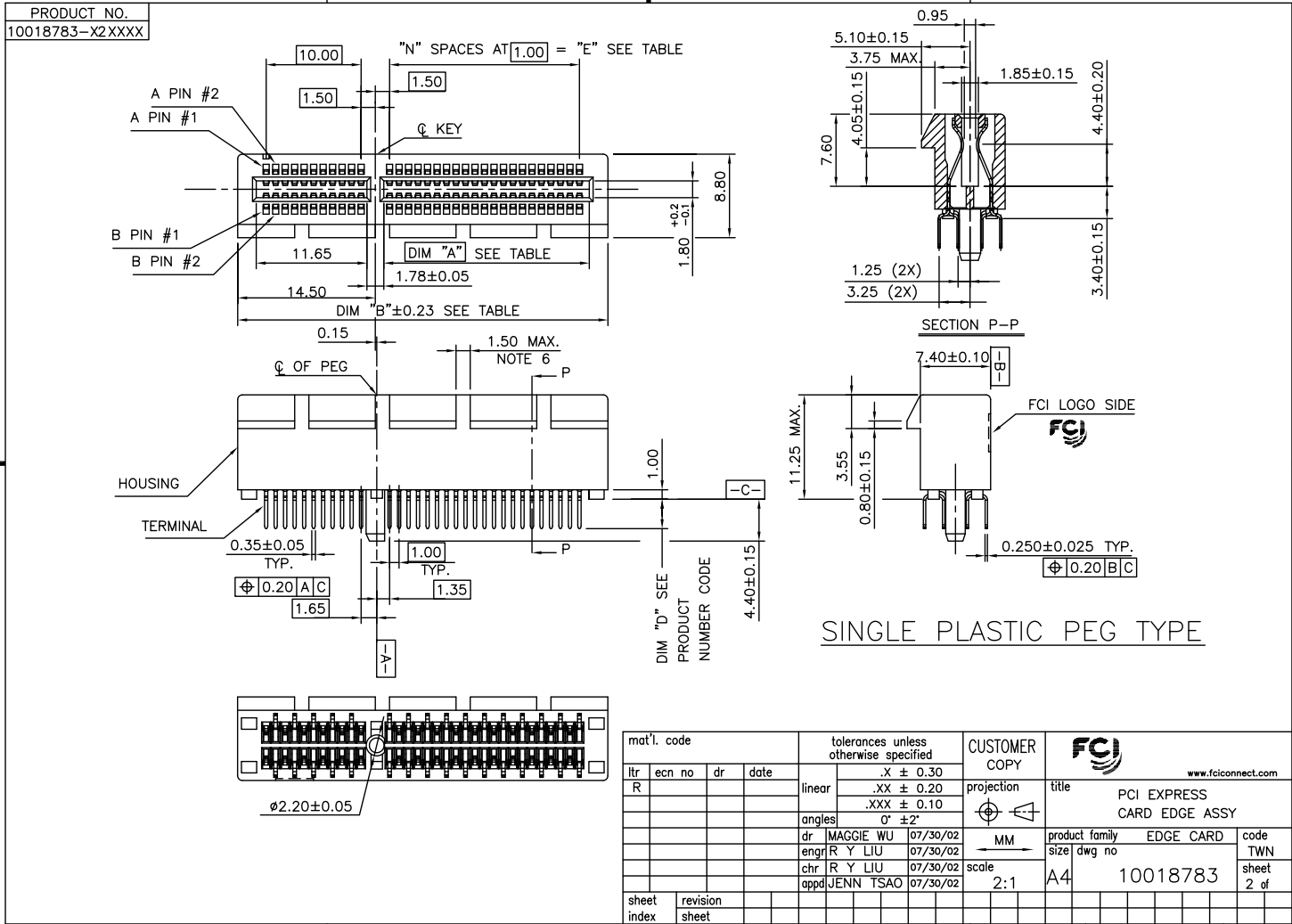
mat'l. code				tolerances unless otherwise specified		CUSTOMER COPY		FCI	
lrr	ecn no	dr	date	linear	.X ± 0.30	projection	title	www.fciconnect.com	
M	T05-0071	M W	04/06/05		.XX ± 0.20	MM	PCI EXPRESS CARD EDGE ASSY	product family	EDGE CARD
N	T05-0105	M W	05/11/05	angles	.XXX ± 0.10			size	dwg no
P	T05-0124	M W	06/07/05		0° ±2°	scale	2:1	A4	10018783
R	T05-0129	M W	06/13/05	dr	MAGGIE WU	07/30/02			
S	T05-0153	M W	07/12/05	engr	R Y LIU	07/30/02			
T	T05-0208	M W	09/15/05	chr	R Y LIU	07/30/02			
U	T10-0007	J H	1/20/10	appd	JENN TSAO	07/30/02			
sheet index	revision sheet	U	R	T	R	R	U	U	
1	2	3	4	5	6	7			

ACAD PDM: Rev:U STATUS: Released cage code 22526 Printed: Jun 28, 2010

Tous droits strictement réservés. Reproduction ou communication à des fins autres que celles autorisées sans la permission écrite du propriétaire. Propriété de c. FCI. Droits de reproduction FCI.



All rights strictly reserved. Reproduction or issue to third parties in any form whatsoever is not permitted without written authority from the proprietor. Property of FCI. Copyright FCI.



mat'l. code		tolerances unless otherwise specified		CUSTOMER COPY		FCI	
lrr	ecn no	dr	date	linear	.X ± 0.30	projection	title
R					.XX ± 0.20	MM	PCI EXPRESS CARD EDGE ASSY
				angles	.XXX ± 0.10		product family
				dr	0' ± 2'		EDGE CARD
				engr			size
				chr	MAGGIE WU 07/30/02	scale	dwg no
				appd	R Y LIU 07/30/02	2:1	A4
					JENN TSAO 07/30/02		10018783
sheet index	revision sheet						code
							TWN
							sheet
							2 of

ACAD

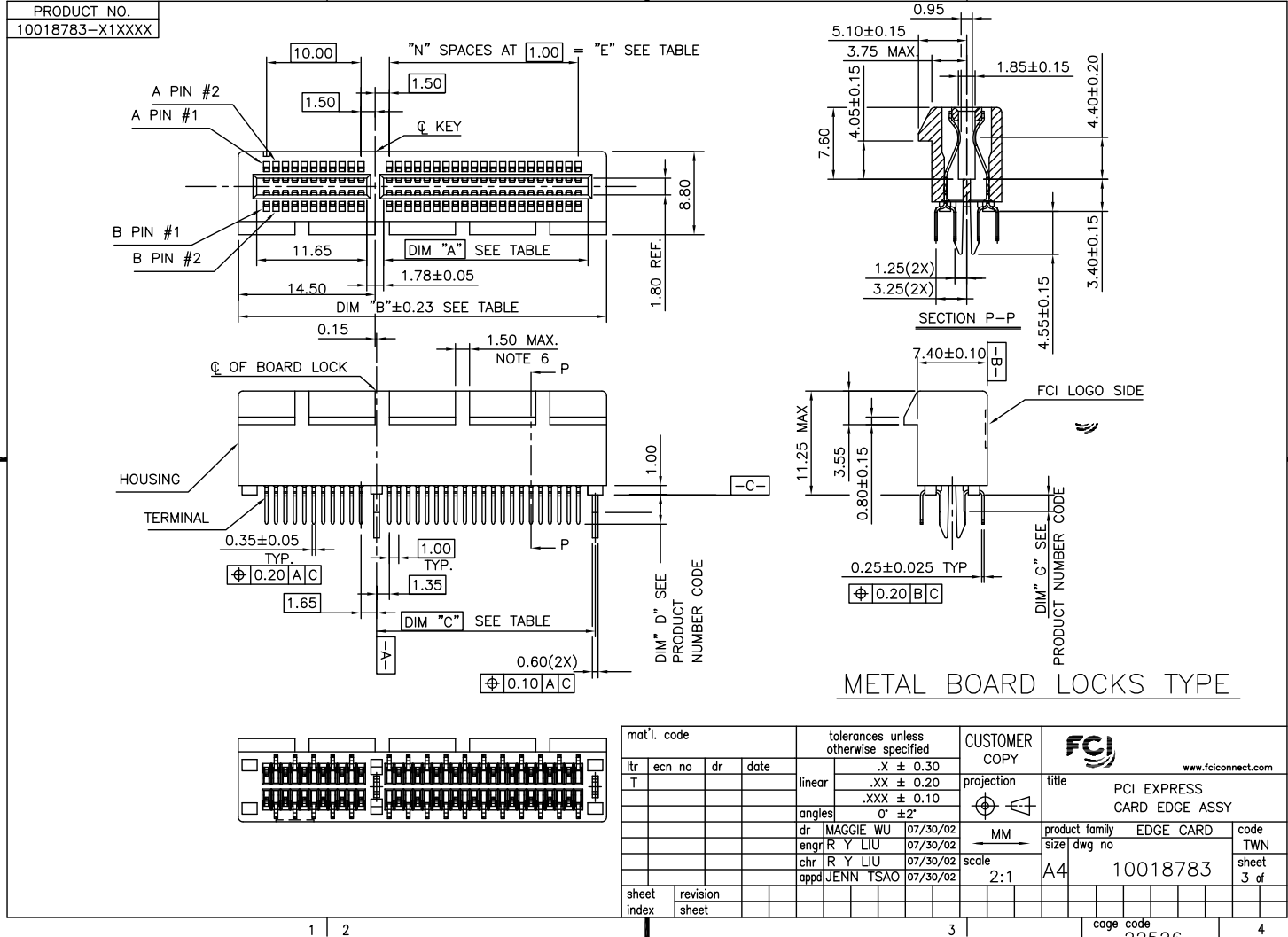
PDM: Rev:U

STATUS Released

cage code 22526

Printed: Jun 28, 2010

All rights strictly reserved. Reproduction or issue to third parties in any form whatsoever is not permitted without written authority from the proprietor. Property of FCI. Copyright FCI.



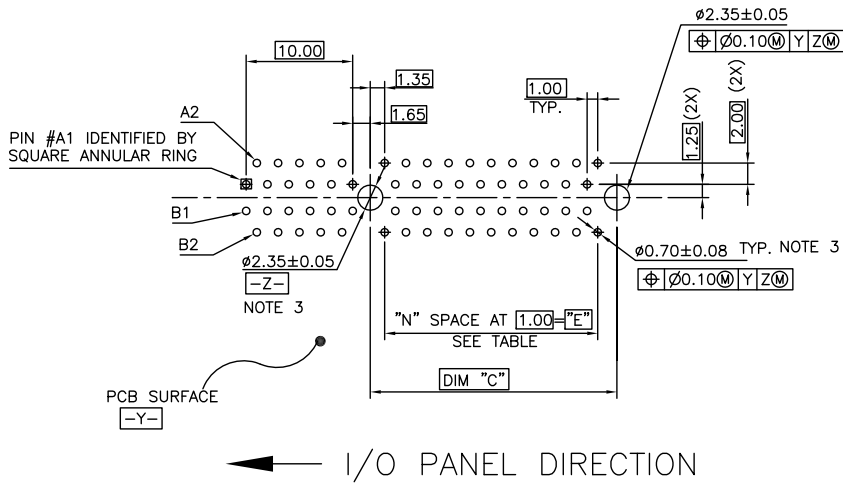
mat'l. code		tolerances unless otherwise specified		CUSTOMER COPY		FCI	
lfr	ecn no	dr	date	linear	.X ± 0.30	projection	title
T					.XX ± 0.20		PCI EXPRESS CARD EDGE ASSY www.fciconnect.com
				angles	.XXX ± 0.10		
				dr	0° ±2'	MM	product family
				engr	MAGGIE WU 07/30/02	scale	EDGE CARD
				chr	R Y LIU 07/30/02	2:1	code
				appd	JENN TSAO 07/30/02	A4	size
sheet index	revision sheet						dwg no
							10018783
							code
							TWN
							sheet
							3 of
							3 of

ACAD PDM: Rev:U STATUS Released cage code 22526 Printed: Jun 28, 2010

Tous droits strictement réservés. Reproduction ou communication e des liste interdite sous quelque forme que ce soit sans autorisation écrite du propriétaire. Property of FCI. Droits de reproduction FCI.



All rights strictly reserved. Reproduction or issue to third parties in any form whatever is not permitted without written authority from the proprietor. Property of FCI. Copyright FCI.



RECOMMENDED FOOTPRINT

mat'l. code				tolerances unless otherwise specified		CUSTOMER COPY		FCI www.fciconnect.com	
lfr	ecn no	dr	date	linear	.X ±	projection	title		
R					.XX ±		PCI EXPRESS CARD EDGE ASS'Y		
				angles	.XXX ±		product family	EDGE CARD	code
				dr	0° ±2'	MM	size	dwg no	TWN
				engr		scale	A4		sheet
				chr	MAGGIE WU 07/30/02	2:1	10018783		4 of
				appd	R Y LIU 07/30/02				
sheet index	revision sheet				JENN TSAO 07/30/02		cage code	22526	

AC.AD

PDM: Rev:U

STATUS: Released

Printed: Jun 28, 2010

1 | 2

3 |

4

1 | 2

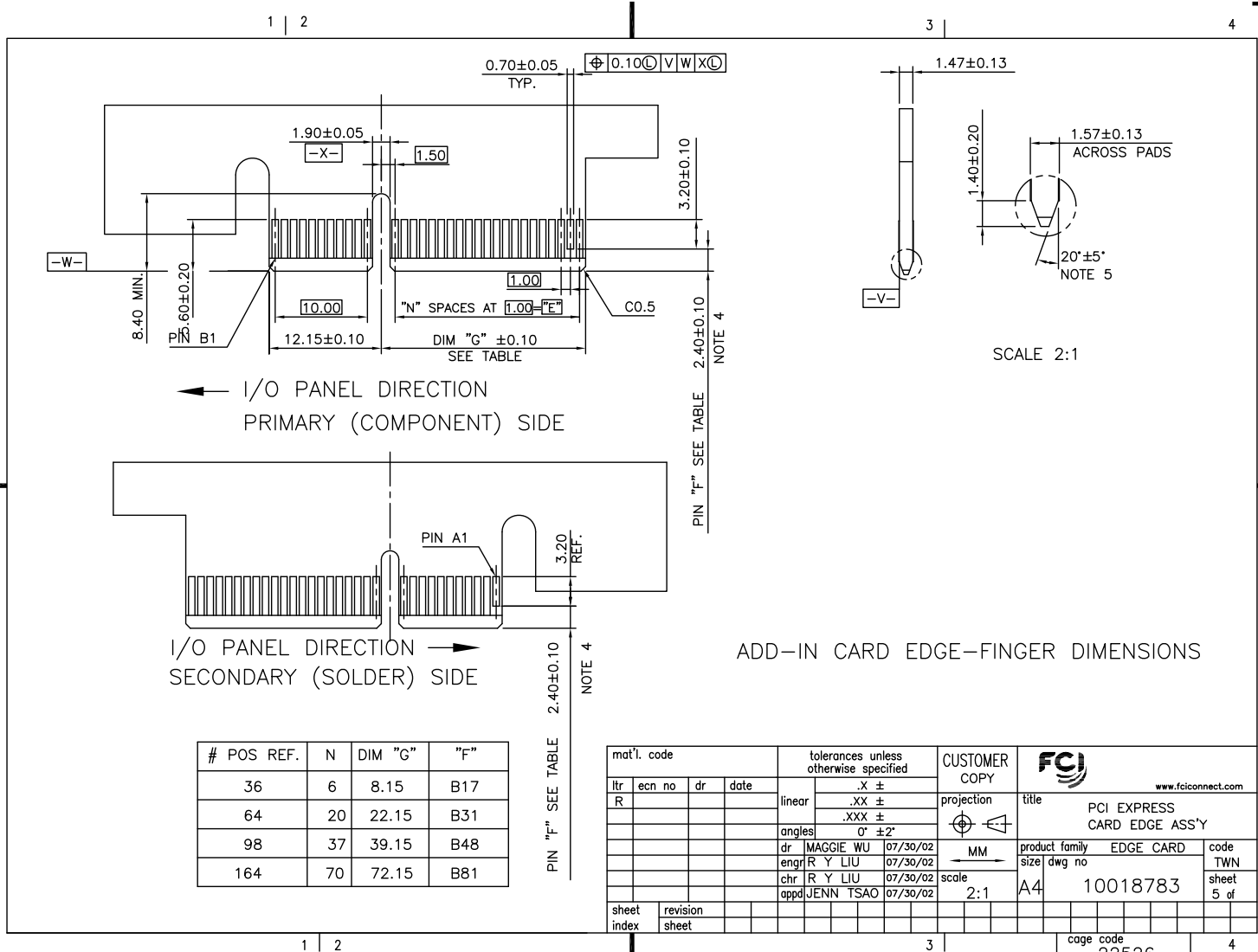
3 |

4

Tous droits strictement réservés. Reproduction ou communication à des fins
 interdites sous quelque forme que ce soit sans autorisation écrite du propriétaire.
 Property of FCI. Copyright FCI. Droits de reproduction FCI.



All rights strictly reserved. Reproduction or issue to third parties in any
 form whatsoever is not permitted without written authority from the proprietor.
 Property of FCI. Copyright FCI.



ADD-IN CARD EDGE-FINGER DIMENSIONS

mat'l. code		tolerances unless otherwise specified		CUSTOMER COPY	FCI www.fciconnect.com	
ltr	ecn no	dr	date	linear	.X ±	projection
R					.XX ±	
					.XXX ±	
				angles	0° ± 2°	MM
		dr	MAGGIE WU 07/30/02			
		engr	R Y LIU 07/30/02			
		chr	R Y LIU 07/30/02			
		appd	JENN TSAO 07/30/02			product family
sheet index	revision sheet			scale	2:1	EDGE CARD
						size dwg no
						A4
						10018783
						code
						TWN
						sheet
						5 of

NOTES:

1.MATERIAL:

HOUSING: HIGH TEMPERATURE NYLON, GLASS FILLED UL94V-0 RATED.
TERMINAL: COPPER ALLOY.

PLATING: 50u" NICKEL UNDERPLATE ALL OVER
CONTACT AREA PLATING - SEE PRODUCT NUMBER CODE
SOLDER TAIL: TIN OR TIN /LEAD(90/10)- SEE PRODUCT NUMBER CODE 100u" MIN. OVER 50u" NICKEL.

METAL BOARD LOCKS: COPPER ALLOY.
FINISH: 100u" TIN OR TIN/LEAD(90/10) OVER 50u" NICKEL
UNDERPLATE SEE PRODUCT NUMBER CODE.

2.PRODUCT SPECIFICATION: GS-12-233.

③THE HORIZONTAL AXIS FOR THE HOLE PATTERN IS ESTABLISHED BY A LINE THROUGH THE CENTER OF THE TWO #2.35 HOLES.
THE VERTICAL AXIS IS 90° TO THE HORIZONTAL AXIS, THROUGH THE CENTER OF DATUM Z.

④NO TIE BAR PERMITTED FROM CARD EDGE TO LEADING EDGE OF PAD FOR PINS A1 AND PIN NUMBERS "F".

⑤CHAMFER EDGES MUST BE FREE OF CUTTING BURRS.

⑥FREQUENCY & LOCATION AT SUPPLIER DISCRETION. RIDGE MAY BE CONTINUOUS WITH NO BREAKS.

7.RoHS COMPATIBLE PRODUCT SPECIFICATIONS:

a - PLATING:

- "LF" MEANS THE PRODUCT IS LEAD-FREE, 2um MINIMUM MATTE TIN OVER 1.27um MINIMUM NICKEL UNDERPLATE.

b - MANUFACTURING PROCESS COMPATIBILITY:

- THE HOUSING WILL WITHSTAND EXPOSURE TO 260°C±5°C TEMPERATURE FOR 10 SECONDS IN RE-FLOW APPLICATION, REFER TO GS-14-858 FOR OPERATING.

PRODUCT NUMBER CODE

10018783

-X X X X X X X X □ □

LEAD FREE OPTION

LEAVE BLANK FOR TERMINAL PLATING 3,4,5
"LF" FOR TERMINAL PLATING OPTION 0,1,2

HOUSING COLOR OPTIONS

0-NATURAL

1-BLACK

PEGS OPTIONS

0-PLASTIC PEGS

1-METAL BOARD LOCKS

2-SINGLE PLASTIC PEGS

POS OPTIONS

0-36

1-64

2-98

3-164

PACKAGING OPTIONS

T-SOFT TRAY PACKAGING

M-SOFT TRAY PACKAGING & MYLAR TAPE. SEE FIGULE 1

Y-HARD TRAY PACKAGING (FOR 164P ONLY)

Z-HARD TRAY PACKAGING WITH MYLAR (FOR 164P ONLY)

TERMINAL PLATING OPTIONS

0-50u" Ni UNDERPLATE

30u" Au CONTACT AREA

100u" TIN TAIL AREA ----- COMPATIBLE RoHS

1-50u" Ni UNDERPLATE

15u" Au CONTACT AREA

100u" TIN TAIL AREA ----- COMPATIBLE RoHS

2-50u" Ni UNDERPLATE

GOLD FLASH CONTACT AREA

100u" TIN TAIL AREA ----- COMPATIBLE RoHS

3-50u" Ni UNDERPLATE

30u" Au CONTACT AREA

100u" TIN/LEAD TAIL AREA ----- INCOMPLIANT RoHS

4-50u" Ni UNDERPLATE

15u" Au CONTACT AREA

100u" TIN/LEAD TAIL AREA ----- INCOMPLIANT RoHS

5-50u" Ni UNDERPLATE

GOLD FLASH CONTACT AREA

100u" TIN/LEAD TAIL AREA ----- INCOMPLIANT RoHS

CONNECTOR	# POS REF.	N	DIM "A"	DIM "B"	DIM "C"	"E"
1 PORT	36	6	7.65	25.00	9.15	6.00
4 PORT	64	20	21.65	39.00	23.15	20.00
8 PORT	98	37	38.65	56.00	40.15	37.00
16 PORT	164	70	71.65	89.00	73.15	70.00

	DIM "D"	PCB THICKNESS	BOARD LOCKS DIM "G"
0	2.30 ^{+0.25} _{-0.13}	1.56±0.10	1.70±0.15
1	3.10 ^{+0.25} _{-0.13}	2.36±0.10	2.50±0.15
2	2.54±0.25	1.56±0.10	1.70±0.15
3	1.90±0.25	1.56±0.10	1.70±0.15

mat'l. code		tolerances unless otherwise specified		CUSTOMER COPY		FCI www.fciconnect.com	
lfr	ecn no	dr	date	linear	.X ±	projection	title
U					.XX ±		PCI EXPRESS CARD EDGE ASS'Y
				angles	.XXX ±		
					0' ±2'	MM	product family
				dr	MAGGIE WU 07/30/02	scale	EDGE CARD
				engr	R Y LIU 07/30/02	1:1	code
				chr	R Y LIU 07/30/02		TWN
				appd	JENN TSAO 07/30/02		sheet
sheet index	revision sheet						6 of

ACAD

PDM: Rev:U

STATUS: Released

cage code

22526

Printed: Jun 28, 2010



A

B

Tous droits strictement réservés. Reproduction ou communication à des fins
 interdites sous quelque forme que ce soit sans autorisation écrite du propriétaire.
 Property of FCI. Copyright FCI. Droits de reproduction FCI.



All rights strictly reserved. Reproduction or issue to third parties in any
 form whatever is not permitted without written authority from the proprietor.
 Property of FCI. Copyright FCI.

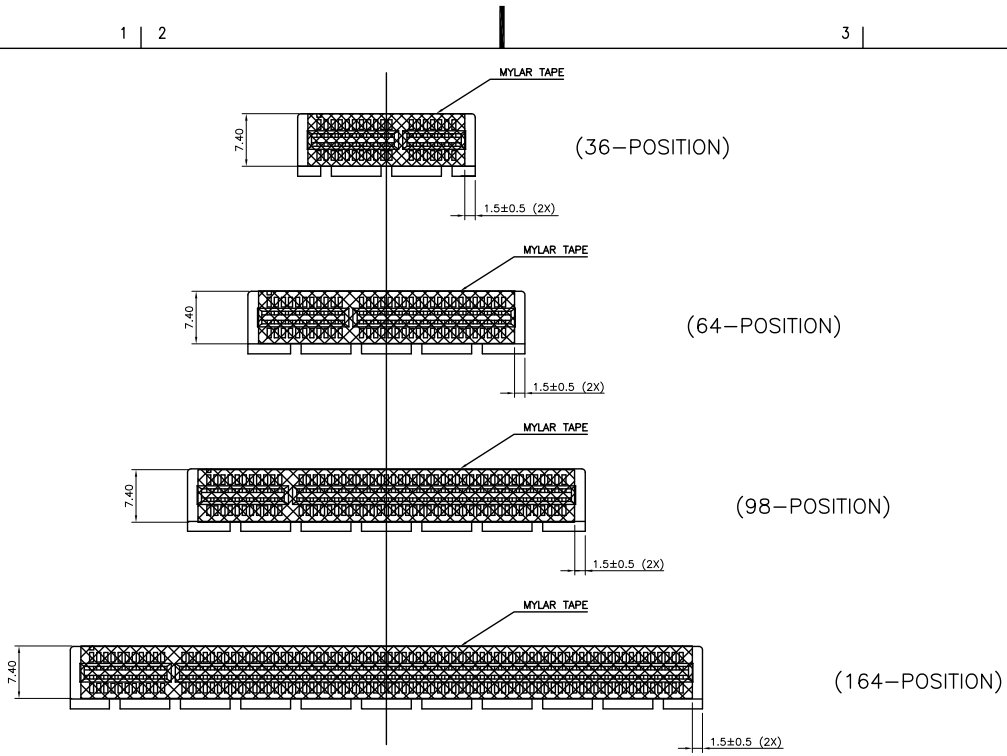


FIGURE 1

mat'l. code		tolerances unless otherwise specified		CUSTOMER COPY		FCI www.fciconnect.com		
lfr	ecn no	dr	date	linear	.X ± 0.25	projection	title	
U					.XX ± 0.13		PCI EXPRESS CARD EDGE ASS'Y	
				angles	.XXX ± 0.05			
				dr	0° ± 2'	MM	product family	
				engr	MAGGIE WU 06/07/05		EDGE CARD	
				chr	R Y LIU 06/07/05		size	TWN
				appd	JENN TSAO 06/07/05		dwg no	sheet
sheet index	revision sheet					scale	code	
						1.5:1	22526	
						A4	10018783	
							7 of	

ACAD

PDM: Rev:U

STATUS: Released

Printed: Jun 28, 2010