

KEMET's High Voltage Surface Mount Capacitors are designed to withstand high voltage applications. They offer high capacitance with low leakage current and low ESR at high frequency. The capacitors have pure tin (Sn) plated external electrodes for good solderability. X7R dielectrics are not designed for AC line filtering applications. An insulating coating may be required to prevent surface arcing. These components are RoHS compliant.

### APPLICATIONS

- Switch Mode Power Supply
  - Input Filter
  - Resonators
  - Tank Circuit
  - Snubber Circuit
  - Output Filter
- High Voltage Coupling
- High Voltage DC Blocking
- Lighting Ballast
- Voltage Multiplier Circuits
- Coupling Capacitor/CUK

### MARKETS

- Power Supply
- High Voltage Power Supply
- DC-DC Converter
- LCD Fluorescent Backlight Ballast
- HID Lighting
- Telecommunications Equipment
- Industrial Equipment/Control
- Medical Equipment/Control
- Computer (LAN/WAN Interface)
- Analog and Digital Modems
- Automotive

### OUTLINE DRAWING



**TABLE 1 - DIMENSIONS - MILLIMETERS (in.)**

Metric Code	EIA Size Code	L - Length	W - Width	B - Bandwidth	Band Separation
2012	0805	2.0 (0.079) ± 0.2 (0.008)	1.2 (0.049) ± 0.2 (0.008)	0.5 (0.02) ±0.25 (0.010)	0.75 (0.030)
3216	1206	3.2 (0.126) ± 0.2 (0.008)	1.6 (0.063) ± 0.2 (0.008)	0.5 (0.02) ± 0.25 (0.010)	N/A
3225	1210	3.2 (0.126) ± 0.2 (0.008)	2.5 (0.098) ± 0.2 (0.008)	0.5 (0.02) ± 0.25 (0.010)	N/A
4520	1808	4.5 (0.177) ± 0.3 (0.012)	2.0 (0.079) ± 0.2 (0.008)	0.6 (0.024) ± 0.35 (0.014)	N/A
4532	1812	4.5 (0.177) ± 0.3 (0.012)	3.2 (0.126) ± 0.3 (0.012)	0.6 (0.024) ± 0.35 (0.014)	N/A
4564	1825	4.5 (0.177) ± 0.3 (0.012)	6.4 (0.250) ± 0.4 (0.016)	0.6 (0.024) ± 0.35 (0.014)	N/A
5650	2220	5.6 (0.224) ± 0.4 (0.016)	5.0 (0.197) ± 0.4 (0.016)	0.6 (0.024) ± 0.35 (0.014)	N/A
5664	2225	5.6 (0.224) ± 0.4 (0.016)	6.4 (0.250) ± 0.4 (0.016)	0.6 (0.024) ± 0.35 (0.014)	N/A

Ceramic Surface Mount

## C0G DIELECTRIC CAPACITANCE VALUES AND THICKNESS TARGETS (mm)

Cap pF	Cap Tol.	Series	0805			1206			1210			1808			1812			1825			2220			2225				
			500V	630V	1000V	500V	630V	1000V	500V	630V	1000V	500V	630V	1000V	500V	630V	1000V	500V	630V	1000V	500V	630V	1000V	500V	630V	1000V		
1.0-2.4	C,D	109-249	DG	DG	DG																							
2.7-5.1	C,D	K,M	279-519	DG	DG	DG																						
5.6-9.1	C,D	J,K,M	569-919	DG	DG	DG																						
10	C,D	J,K,M	100	DG	DG	DG																						
11	C,D	J,K,M	110	DG	DG	DG	EG	EG	EG	EG	EG	EG	EG	EG	EG	EG	EG	EG	EG	EG	EG	EG	EG	EG	EG	EG	EG	EG
12	C,D	J,K,M	120	DG	DG	DG	EG	EG	EG	EG	EG	EG	EG	EG	EG	EG	EG	EG	EG	EG	EG	EG	EG	EG	EG	EG	EG	EG
13	C,D	J,K,M	130	DG	DG	DG	EG	EG	EG	EG	EG	EG	EG	EG	EG	EG	EG	EG	EG	EG	EG	EG	EG	EG	EG	EG	EG	EG
15	C,D	G,J,K,M	150	DG	DG	DG	EG	EG	EG	EG	EG	EG	EG	EG	EG	EG	EG	EG	EG	EG	EG	EG	EG	EG	EG	EG	EG	EG
16	C,D	G,J,K,M	160	DG	DG	DG	EG	EG	EG	EG	EG	EG	EG	EG	EG	EG	EG	EG	EG	EG	EG	EG	EG	EG	EG	EG	EG	EG
18	C,D	G,J,K,M	180	DG	DG	DG	EG	EG	EG	EG	EG	EG	EG	EG	EG	EG	EG	EG	EG	EG	EG	EG	EG	EG	EG	EG	EG	EG
20	C,D	G,J,K,M	200	DG	DG	DG	EG	EG	EG	EG	EG	EG	EG	EG	EG	EG	EG	EG	EG	EG	EG	EG	EG	EG	EG	EG	EG	EG
22	C,D	G,J,K,M	220	DG	DG	DG	EG	EG	EG	EG	EG	EG	EG	EG	EG	EG	EG	EG	EG	EG	EG	EG	EG	EG	EG	EG	EG	EG
24	C,D	G,J,K,M	240	DG	DG	DG	EG	EG	EG	EG	EG	EG	EG	EG	EG	EG	EG	EG	EG	EG	EG	EG	EG	EG	EG	EG	EG	EG
27	D,F,G,J,K,M	270	DG	DG	DG	EG	EG	EG	EG	EG	EG	EG	EG	EG	EG	EG	EG	EG	EG	EG	EG	EG	EG	EG	EG	EG	EG	EG
30	D,F,G,J,K,M	300	DG	DG	DG	EG	EG	EG	EG	EG	EG	EG	EG	EG	EG	EG	EG	EG	EG	EG	EG	EG	EG	EG	EG	EG	EG	EG
33	D,F,G,J,K,M	330	DG	DG	DG	EG	EG	EG	EG	EG	EG	EG	EG	EG	EG	EG	EG	EG	EG	EG	EG	EG	EG	EG	EG	EG	EG	EG
36	D,F,G,J,K,M	360	DG	DG	DG	EG	EG	EG	EG	EG	EG	EG	EG	EG	EG	EG	EG	EG	EG	EG	EG	EG	EG	EG	EG	EG	EG	EG
39	D,F,G,J,K,M	390	DG	DG	DG	EG	EG	EG	EG	EG	EG	EG	EG	EG	EG	EG	EG	EG	EG	EG	EG	EG	EG	EG	EG	EG	EG	EG
43	D,F,G,J,K,M	430	DG	DG	DG	EG	EG	EG	EG	EG	EG	EG	EG	EG	EG	EG	EG	EG	EG	EG	EG	EG	EG	EG	EG	EG	EG	EG
47	D,F,G,J,K,M	470	DG	DG	DG	EG	EG	EG	EG	EG	EG	EG	EG	EG	EG	EG	EG	EG	EG	EG	EG	EG	EG	EG	EG	EG	EG	EG
51	D,F,G,J,K,M	510	DG	DG	DG	EG	EG	EG	EG	EG	EG	EG	EG	EG	EG	EG	EG	EG	EG	EG	EG	EG	EG	EG	EG	EG	EG	EG
56	F,G,J,K,M	560	DG	DG	DG	EF	EF	EF	EF	EG	EG	EG	EG	EG	EG	EG	EG	EG	EG	EG	EG	EG	EG	EG	EG	EG	EG	EG
62	F,G,J,K,M	620	DG	DG	DG	EF	EF	EF	EF	EG	EG	EG	EG	EG	EG	EG	EG	EG	EG	EG	EG	EG	EG	EG	EG	EG	EG	EG
68	F,G,J,K,M	680	DG	DG	DG	EF	EF	EF	EF	EG	EG	EG	EG	EG	EG	EG	EG	EG	EG	EG	EG	EG	EG	EG	EG	EG	EG	EG
75	F,G,J,K,M	750	DG	DG	DG	EF	EF	EF	EF	EG	EG	EG	EG	EG	EG	EG	EG	EG	EG	EG	EG	EG	EG	EG	EG	EG	EG	EG
82	F,G,J,K,M	820	DG	DG	DG	EF	EF	EF	EF	EG	EG	EG	EG	EG	EG	EG	EG	EG	EG	EG	EG	EG	EG	EG	EG	EG	EG	EG
91	F,G,J,K,M	910	DG	DG	DG	EF	EF	EF	EF	EG	EG	EG	EG	EG	EG	EG	EG	EG	EG	EG	EG	EG	EG	EG	EG	EG	EG	EG
100	F,G,J,K,M	101	DG	DG	DG	EF	EF	EF	EF	EG	EG	EG	EG	EG	EG	EG	EG	EG	EG	EG	EG	EG	EG	EG	EG	EG	EG	EG
110	F,G,J,K,M	111	DG	DG	DG	EF	EF	EF	EF	EG	EG	EG	EG	EG	EG	EG	EG	EG	EG	EG	EG	EG	EG	EG	EG	EG	EG	EG
120	F,G,J,K,M	121	DG	DG	DG	EF	EF	EF	EF	EG	EG	EG	EG	EG	EG	EG	EG	EG	EG	EG	EG	EG	EG	EG	EG	EG	EG	EG
130	F,G,J,K,M	131	DG	DG	DG	EF	EF	EF	EF	EG	EG	EG	EG	EG	EG	EG	EG	EG	EG	EG	EG	EG	EG	EG	EG	EG	EG	EG
150	F,G,J,K,M	151	DG	DG	DG	EF	EF	EF	EF	EG	EG	EG	EG	EG	EG	EG	EG	EG	EG	EG	EG	EG	EG	EG	EG	EG	EG	EG
160	F,G,J,K,M	161	DG	DG	DG	EF	EF	EF	EF	EG	EG	EG	EG	EG	EG	EG	EG	EG	EG	EG	EG	EG	EG	EG	EG	EG	EG	EG
180	F,G,J,K,M	181	DG	DG	DG	EF	EF	EF	EF	EG	EG	EG	EG	EG	EG	EG	EG	EG	EG	EG	EG	EG	EG	EG	EG	EG	EG	EG
200	F,G,J,K,M	201	DG	DG	DG	EF	EF	EF	EF	EG	EG	EG	EG	EG	EG	EG	EG	EG	EG	EG	EG	EG	EG	EG	EG	EG	EG	EG
220	F,G,J,K,M	221	DG	DG	DG	EF	EF	EF	EF	EG	EG	EG	EG	EG	EG	EG	EG	EG	EG	EG	EG	EG	EG	EG	EG	EG	EG	EG
240	F,G,J,K,M	241	DG	DG	DG	EF	EF	EF	EF	EG	EG	EG	EG	EG	EG	EG	EG	EG	EG	EG	EG	EG	EG	EG	EG	EG	EG	EG
270	F,G,J,K,M	271	DG	DG	DG	EF	EF	EF	EF	EG	EG	EG	EG	EG	EG	EG	EG	EG	EG	EG	EG	EG	EG	EG	EG	EG	EG	EG
300	F,G,J,K,M	301	DG	DG	DG	EF	EF	EF	EF	EG	EG	EG	EG	EG	EG	EG	EG	EG	EG	EG	EG	EG	EG	EG	EG	EG	EG	EG
330	F,G,J,K,M	331	DG	DG	DG	EF	EF	EF	EF	EG	EG	EG	EG	EG	EG	EG	EG	EG	EG	EG	EG	EG	EG	EG	EG	EG	EG	EG
360	F,G,J,K,M	361	DG	DG	DG	EF	EF	EF	EF	EG	EG	EG	EG	EG	EG	EG	EG	EG	EG	EG	EG	EG	EG	EG	EG	EG	EG	EG
390	F,G,J,K,M	391	DG	DG	DG	EF	EF	EF	EF	EG	EG	EG	EG	EG	EG	EG	EG	EG	EG	EG	EG	EG	EG	EG	EG	EG	EG	EG
430	F,G,J,K,M	431	DG	DG	DG	EF	EF	EF	EF	EG	EG	EG	EG	EG	EG	EG	EG	EG	EG	EG	EG	EG	EG	EG	EG	EG	EG	EG
470	F,G,J,K,M	471	DG	DG	DG	EF	EF	EF	EF	EG	EG	EG	EG	EG	EG	EG	EG	EG	EG	EG	EG	EG	EG	EG	EG	EG	EG	EG
510	F,G,J,K,M	511	DG	DG	DG	EF	EF	EF	EF	EG	EG	EG	EG	EG	EG	EG	EG	EG	EG	EG	EG	EG	EG	EG	EG	EG	EG	EG
560	F,G,J,K,M	561	DG	DG	DG	EF	EF	EF	EF	EG	EG	EG	EG	EG	EG	EG	EG	EG	EG	EG	EG	EG	EG	EG	EG	EG	EG	EG
620	F,G,J,K,M	621	DG	DG	DG	EF	EF	EF	EF	EG	EG	EG	EG	EG	EG	EG	EG	EG	EG	EG	EG	EG	EG	EG	EG	EG	EG	EG
680	F,G,J,K,M	681	DG	DG	DG	EF	EF	EF	EF	EG	EG	EG	EG	EG	EG	EG	EG	EG	EG	EG	EG	EG	EG	EG	EG	EG	EG	EG
750	F,G,J,K,M	751	DG	DG	DG	EF	EF	EF	EF	EG	EG	EG	EG	EG	EG	EG	EG	EG	EG	EG	EG	EG	EG	EG	EG	EG	EG	EG
820	F,G,J,K,M	821	DG	DG	DG	EF	EF	EF	EF	EG	EG	EG	EG	EG	EG	EG	EG	EG	EG	EG	EG	EG	EG	EG	EG	EG	EG	EG
910	F,G,J,K,M	911	DG	DG	DG	EF	EF	EF	EF	EG	EG	EG	EG	EG	EG	EG	EG	EG	EG	EG	EG	EG	EG	EG	EG	EG	EG	EG
1,000	F,G,J,K,M	102	DG	DG	DG	EG																						
1,100	F,G,J,K,M	112	DG	DG	DG	FM	FK	FK																				
1,200	F,G,J,K,M	122	DG	DG	DG	FM	FK	FK																				
1,300	F,G,J,K,M	132	DG	DG	DG	FM	FS	FS																				
1,500	F,G,J,K,M	152	DG	DG	DG	FK	FS	FS																				
1,600	F,G,J,K,M	162	DG	DG	DG	FK	FS	FS																				
1,800	F,G,J,K,M	182	DG	DG	DG	FK	FS	FS																				
2,000	F,G,J,K,M	202	DG	DG	DG	FK																						
2,200	F,G,J,K,M	222	DG	DG	DG	FK																						
2,400	F,G,J,K,M	242	DG	DG	DG	FS	FS	FS																				
2,700	F,G,J,K,M	272	DG	DG	DG	FS	FS	FS																				
3,000	F,G,J,K,M	302	DG	DG	DG																							
3,300	F,G,J,K,M	332	DG	DG	DG																							
3,600	F,G,J,K,M	362	DG	DG	DG																							
3,900	F,G,J,K,M	392	DG	DG	DG																							
4,300	F,G,J,K,M	432	DG	DG	DG																							
4,700	F,G,J,K,M	472	DG	DG	DG																							
5,100	F,G,J,K,M	512	DG																									



**CAPACITOR ORDERING INFORMATION**



**ELECTRICAL PARAMETERS**

Property	Specification
Capacitance	C0G: 1 pF to 0.010 µF X7R: 10 pF to 0.22 µF 25°C, 1.0 ± 0.2 Vrms, 1 kHz (1 MHz for ≤ 1000 pF (C0G only))
Cap Tolerance	C0G: C*, D*, F*, G*, J, K, M * Contact KEMET Sales for availability. X7R: J, K, M
DF	C0G: 0.1% Max X7R: 2.5% Max
Voltage Ratings	500 V, 1000 V, 1500 V, 2000 V, 2500 V, 3000 V
Operating Temperature Range	From -55°C to +125°C
25°C IR @ 500V	100 GΩ or 1000 MΩ-µF, whichever is less
125°C IR @ 500V	10 GΩ or 100 MΩ-µF, whichever is less
-55°C TCC +125°C TCC	X7R: ± 15% C0G: ± 30 ppm / °C
Dielectric Strength	150% of Rated Voltage for Rated Voltage <1000 V 120% of Rated Voltage for Rated Voltage ≥1000V
Ripple Current	Consult KEMET Sales Representative

**MARKING**

These chips are supplied unmarked. If required, they can be supplied LASER-marked at an extra cost. Details on the marking format is located on page 97.

**PACKAGING**

KEMET High Voltage Surface Mount MLCC are available packaged in tape and reel configuration, or bulk bag as outlined on page 83. Please consult factory for waffle packaging options.

**SOLDERING PROCESS**

The 0805 and 1206 case sizes are suitable for either reflow or wave soldering processes. Sizes 1210 and larger should be limited to reflow soldering only. All sizes incorporate the standard KEMET barrier layer of pure nickel with an overplating of pure tin (Sn) for excellent solderability and resistance to solder leaching of the termination.

**RECOMMENDED SOLDER PAD DIMENSIONS**

Chip Size	T (Total Length)		S (Separation)		W (Pad Width)		L (Pad Length)	
	mm	in.	mm	in.	mm	in.	mm	in.
0805	3.30	0.130	0.70	0.028	1.60	0.063	1.30	0.051
1206	4.50	0.177	1.50	0.059	2.00	0.079	1.50	0.059
1210	4.50	0.177	1.50	0.059	2.90	0.114	1.50	0.059
1808	5.90	0.232	2.30	0.091	2.40	0.094	1.80	0.071
1812	5.90	0.232	2.30	0.091	3.70	0.146	1.80	0.071
1825	5.90	0.232	2.30	0.091	6.90	0.272	1.80	0.071
2220	7.00	0.276	3.30	0.130	5.50	0.217	1.85	0.073
2225	7.00	0.276	3.30	0.130	6.80	0.268	1.85	0.073



## Thickness Code Reference Chart Packaging Quantity Based on Finished Chip Thickness Specifications

Thickness Code	Chip Size	Chip Thickness Range (mm)	Qty per Reel 7" Plastic	Qty per Reel 13" Plastic	Qty per Reel 7" Paper	Qty per Reel 13" Paper	Qty per Bulk Cassette
AA	0201	0.30 ± 0.03	N/A	N/A	15,000	N/A	N/A
BB	0402	0.50 ± 0.05	N/A	N/A	10,000	50,000	50,000
CB	0603	0.80 ± 0.07	N/A	N/A	4,000	10,000	15,000
CC	0603	0.80 ± 0.10	N/A	N/A	4,000	10,000	N/A
CD	0603	0.80 ± 0.15	N/A	N/A	4,000	10,000	N/A
DB	0805	0.60 ± 0.10	N/A	N/A	4,000	10,000	10,000
DC	0805	0.78 ± 0.10	N/A	N/A	4,000	10,000	N/A
DD	0805	0.90 ± 0.10	N/A	N/A	4,000	10,000	N/A
DE	0805	1.00 ± 0.10	2,500	10,000	N/A	N/A	N/A
DF	0805	1.10 ± 0.10	2,500	10,000	N/A	N/A	N/A
DG	0805	1.25 ± 0.15	2,500	10,000	N/A	N/A	N/A
DH	0805	1.25 ± 0.20	2,500	10,000	N/A	N/A	N/A
DJ	0805	1.25 ± 0.20	3,000	N/A	N/A	N/A	N/A
DK	0805	1.25 ± 0.15	3,000	N/A	N/A	N/A	N/A
DL	0805	0.95 ± 0.10	4,000	10,000	N/A	N/A	N/A
EB	1206	0.78 ± 0.10	4,000	10,000	4,000	10,000	N/A
EC	1206	0.90 ± 0.10	4,000	10,000	N/A	N/A	N/A
ED	1206	1.00 ± 0.10	2,500	10,000	N/A	N/A	N/A
EE	1206	1.10 ± 0.10	2,500	10,000	N/A	N/A	N/A
EF	1206	1.20 ± 0.15	2,500	10,000	N/A	N/A	N/A
EG	1206	1.60 ± 0.15	2,000	8,000	N/A	N/A	N/A
EH	1206	1.60 ± 0.20	2,000	8,000	N/A	N/A	N/A
EJ	1206	1.70 ± 0.20	2,000	8,000	N/A	N/A	N/A
EK	1206	0.80 ± 0.10	2,000	8,000	N/A	N/A	N/A
EL	1206	1.15 ± 0.15	2,000	8,000	N/A	N/A	N/A
EM	1206	1.25 ± 0.15	2,500	10,000	N/A	N/A	N/A
EN	1206	0.95 ± 0.10	4,000	10,000	N/A	N/A	N/A
FB	1210	0.78 ± 0.10	4,000	10,000	N/A	N/A	N/A
FC	1210	0.90 ± 0.10	4,000	10,000	N/A	N/A	N/A
FD	1210	0.95 ± 0.10	4,000	10,000	N/A	N/A	N/A
FE	1210	1.00 ± 0.10	2,500	10,000	N/A	N/A	N/A
FF	1210	1.10 ± 0.10	2,500	10,000	N/A	N/A	N/A
FG	1210	1.25 ± 0.15	2,500	10,000	N/A	N/A	N/A
FH	1210	1.55 ± 0.15	2,000	8,000	N/A	N/A	N/A
FJ	1210	1.85 ± 0.20	2,000	8,000	N/A	N/A	N/A
FK	1210	2.10 ± 0.20	2,000	8,000	N/A	N/A	N/A
FL	1210	1.40 ± 0.15	2,000	8,000	N/A	N/A	N/A
FM	1210	1.70 ± 0.20	2,000	8,000	N/A	N/A	N/A
FN	1210	1.85 ± 0.20	2,000	8,000	N/A	N/A	N/A
FO	1210	1.50 ± 0.20	2,000	8,000	N/A	N/A	N/A
FP	1210	1.60 ± 0.20	2,000	8,000	N/A	N/A	N/A
FQ	1210	2.50 ± 0.22	1,500	N/A	N/A	N/A	N/A
FR	1210	2.25 ± 0.20	2,000	8,000	N/A	N/A	N/A
FS	1210	2.50 ± 0.20	1,000	4,000	N/A	N/A	N/A
FT	1210	1.90 ± 0.20	1,500	4,000	N/A	N/A	N/A
LD	1808	0.90 ± 0.10	4,000	10,000	N/A	N/A	N/A
GB	1812	1.00 ± 0.10	1,000	4,000	N/A	N/A	N/A
GC	1812	1.10 ± 0.10	1,000	4,000	N/A	N/A	N/A
GD	1812	1.25 ± 0.15	1,000	4,000	N/A	N/A	N/A
GE	1812	1.30 ± 0.10	1,000	4,000	N/A	N/A	N/A
GF	1812	1.50 ± 0.10	1,000	4,000	N/A	N/A	N/A
GG	1812	1.55 ± 0.10	1,000	4,000	N/A	N/A	N/A
GH	1812	1.40 ± 0.15	1,000	4,000	N/A	N/A	N/A
GJ	1812	1.70 ± 0.15	1,000	4,000	N/A	N/A	N/A
GK	1812	1.60 ± 0.20	1,000	4,000	N/A	N/A	N/A
GL	1812	1.90 ± 0.20	1,000	4,000	N/A	N/A	N/A
GM	1812	2.00 ± 0.20	1,000	4,000	N/A	N/A	N/A
GN	1812	1.70 ± 0.20	1,000	4,000	N/A	N/A	N/A
GO	1812	2.50 ± 0.20	500	N/A	N/A	N/A	N/A
HB	1825	1.10 ± 0.15	1,000	4,000	N/A	N/A	N/A
HC	1825	1.15 ± 0.15	1,000	4,000	N/A	N/A	N/A
HD	1825	1.30 ± 0.15	1,000	4,000	N/A	N/A	N/A
HE	1825	1.40 ± 0.15	1,000	4,000	N/A	N/A	N/A
HF	1825	1.50 ± 0.15	1,000	4,000	N/A	N/A	N/A
JB	2220	1.00 ± 0.15	1,000	4,000	N/A	N/A	N/A
JC	2220	1.10 ± 0.15	1,000	4,000	N/A	N/A	N/A
JD	2220	1.30 ± 0.15	1,000	4,000	N/A	N/A	N/A
JE	2220	1.40 ± 0.15	1,000	4,000	N/A	N/A	N/A
JF	2220	1.50 ± 0.15	1,000	4,000	N/A	N/A	N/A
JG	2220	1.70 ± 0.15	1,000	4,000	N/A	N/A	N/A
JH	2220	1.80 ± 0.15	1,000	4,000	N/A	N/A	N/A
JO	2220	2.40 ± 0.15	500	2,000	N/A	N/A	N/A
KB	2225	1.00 ± 0.15	1,000	4,000	N/A	N/A	N/A
KC	2225	1.10 ± 0.15	1,000	4,000	N/A	N/A	N/A
KD	2225	1.30 ± 0.15	1,000	4,000	N/A	N/A	N/A
KE	2225	1.40 ± 0.15	1,000	4,000	N/A	N/A	N/A

This chart refers to ceramic chip thickness codes on pages 73 – 76.

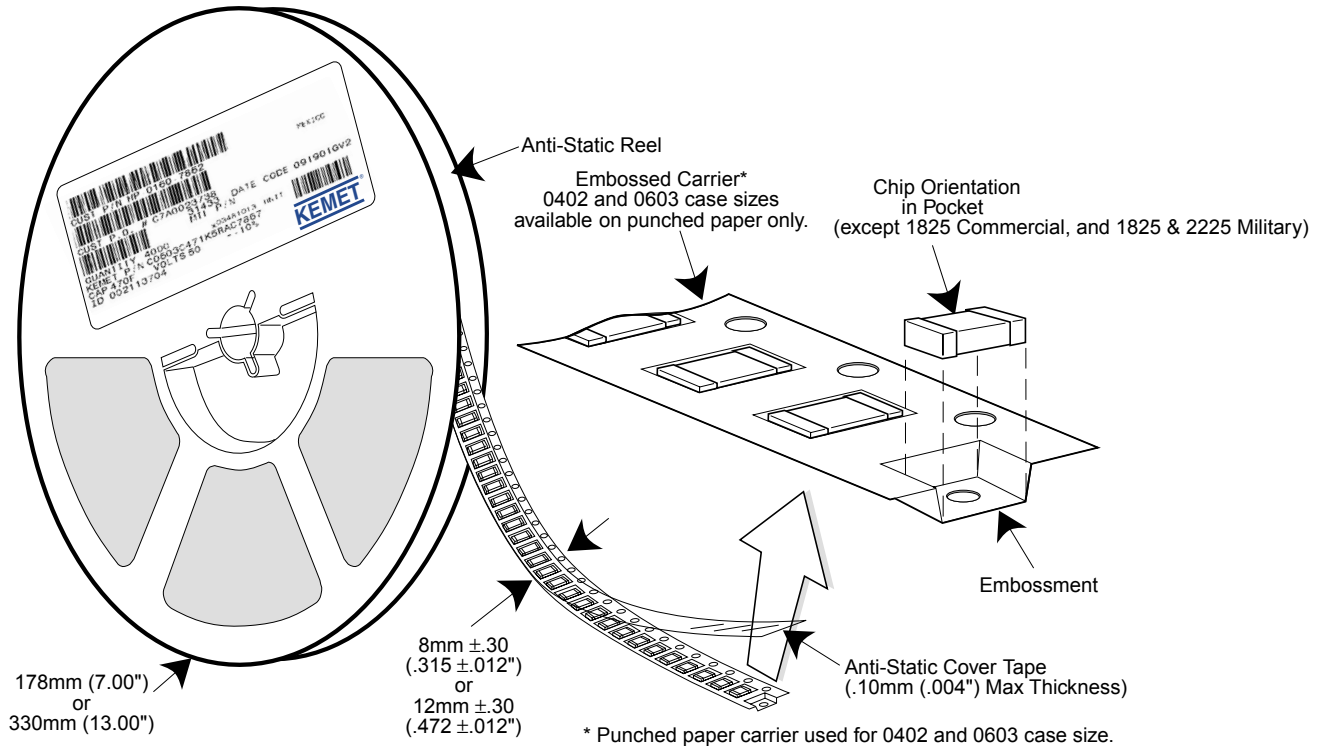
Note: TU suffix represents tape and reel packaging of unmarked components.

Note: TM suffix represents tape and reel packaging of marked components.

Cases sizes ≤1210 are 8mm tape with 4mm pitch and Case Sizes >1210 are 12mm tape and 8mm pitch.

### Tape & Reel Packaging

KEMET offers Multilayer Ceramic Chip Capacitors packaged in 8mm and 12mm plastic tape on 7" and 13" reels in accordance with EIA standard 481-1: Taping of surface mount components for automatic handling. This packaging system is compatible with all tape fed automatic pick and place systems. See page 78 for details on reeling quantities for commercial chips and page 87 for MIL-PRF-55681 chips.



Case Sizes ≤ 1210 are 8 mm tape with 4 mm pitch.  
Case Sizes >1210 are 12 mm tape with 8 mm pitch.

**Note:** TU suffix represents tape and reel packaging of unmarked components.  
TM suffix represents tape and reel packaging of marked components.

### SURFACE MOUNT LAND DIMENSIONS - CERAMIC CHIP CAPACITORS - MM



Dimension	Reflow Solder					Wave Solder				
	Z	G	X	Y(ref)	C(ref)	Z	G	X	Y(ref)	Smin
0402	2.14	0.28	0.74	0.93	1.21	Not Recommended				
0603	2.78	0.68	1.08	1.05	1.73	3.18	0.68	0.80	1.25	1.93
0805	3.30	0.70	1.60	1.30	2.00	3.70	0.70	1.10	1.50	2.20
1206	4.50	1.50	2.00	1.50	3.00	4.90	1.50	1.40	1.70	3.20
1210	4.50	1.50	2.90	1.50	3.00	4.90	1.50	2.00	1.70	3.20
1812	5.90	2.30	3.70	1.80	4.10	Not Recommended				
1825	5.90	2.30	6.90	1.80	4.10					
2220	7.00	3.30	5.50	1.85	5.15					
2225	7.00	3.30	6.80	1.85	5.15					

**Calculation Formula**  
 $Z = Lmin + 2Jt + Tt$   
 $G = Smax - 2Jh - Th$   
 $X = Wmin + 2Js + Ts$   
 Tt, Th, Ts = Combined tolerances

# TANTALUM, CERAMIC AND ALUMINUM CHIP CAPACITORS

## Packaging Information

### Performance Notes

- Cover Tape Break Force:** 1.0 Kg Minimum.
- Cover Tape Peel Strength:** The total peel strength of the cover tape from the carrier tape shall be:

Tape Width	Peel Strength
8 mm	0.1 Newton to 1.0 Newton (10g to 100g)
12 mm	0.1 Newton to 1.3 Newton (10g to 130g)

The direction of the pull shall be opposite the direction of the carrier tape travel. The pull angle of the carrier tape shall be 165° to 180° from the plane of the carrier tape. During peeling, the carrier and/or cover tape shall be pulled at a velocity of 300 ±10 mm/minute.

- Reel Sizes:** Molded tantalum capacitors are available on either 180 mm (7") reels (standard) or 330 mm (13") reels (with C-7280). Note that 13" reels are preferred.
- Labeling:** Bar code labeling (standard or custom) shall be on the side of the reel opposite the sprocket holes. Refer to EIA-556.

### Embossed Carrier Tape Configuration: Figure 1



**Table 1 — EMBOSSED TAPE DIMENSIONS (Metric will govern)**

Constant Dimensions — Millimeters (Inches)									
Tape Size	D <sub>0</sub>	E	P <sub>0</sub>	P <sub>2</sub>	T Max	T <sub>1</sub> Max			
8 mm and 12 mm	1.5 +0.10 -0.0 (0.059 +0.004, -0.0)	1.75 ±0.10 (0.069 ±0.004)	4.0 ±0.10 (0.157 ±0.004)	2.0 ±0.05 (0.079 ±0.002)	0.600 (0.024)	0.100 (0.004)			
Variable Dimensions — Millimeters (Inches)									
Tape Size	Pitch	B <sub>1</sub> Max. Note 1	D <sub>1</sub> Min. Note 2	F	P <sub>1</sub>	R Min. Note 3	T <sub>2</sub> Max	W	A <sub>0</sub> B <sub>0</sub> K <sub>0</sub> Note 4
8 mm	Single (4 mm)	4.4 (0.173)	1.0 (0.039)	3.5 ±0.05 (0.138 ±0.002)	4.0 ±0.10 (0.157 ±0.004)	25.0 (0.984)	2.5 (0.098)	8.0 ±0.30 (.315 ±0.012)	
12 mm	Double (8 mm)	8.2 (0.323)	1.5 (0.059)	5.5 ±0.05 (0.217 ±0.002)	8.0 ±0.10 (0.315 ±0.004)	30.0 (1.181)	4.6 (0.181)	12.0 ±0.30 (0.472 ±0.012)	

### NOTES

- B1 dimension is a reference dimension for tape feeder clearance only.
- The embossment hole location shall be measured from the sprocket hole controlling the location of the embossment. Dimensions of embossment location and hole location shall be applied independent of each other.
- Tape with components shall pass around radius "R" without damage (see sketch A). The minimum trailer length (Fig. 2) may require additional length to provide R min. for 12 mm embossed tape for reels with hub diameters approaching N min. (Table 2)
- The cavity defined by A<sub>0</sub>, B<sub>0</sub>, and K<sub>0</sub> shall be configured to surround the part with sufficient clearance such that the chip does not protrude beyond the sealing plane of the cover tape, the chip can be removed from the cavity in a vertical direction without mechanical restriction, rotation of the chip is limited to 20 degrees maximum in all 3 planes, and lateral movement of the chip is restricted to 0.5 mm maximum in the pocket (not applicable to vertical clearance.)

# TANTALUM, CERAMIC AND ALUMINUM CHIP CAPACITORS



## Packaging Information

### Embossed Carrier Tape Configuration (cont.)



### Sketch D: Tape Camber (Top View)



**Figure 2:** Tape Leader & Trailer Dimensions (Metric Dimensions Will Govern)



**Figure 3:** Reel Dimensions (Metric Dimensions will govern)

**Table 2 – REEL DIMENSIONS (Metric will govern)**

Tape Size	A Max	$B^*$ Min	C	$D^*$ Min	N Min	$W_1$	$W_2$ Max	$W_3$
8 mm	330.0 (12.992)	1.5 (0.059)	13.0 ± 0.20 (0.512 ± 0.008)	20.2 (0.795)	50.0 (1.969) See Note 3	8.4 +1.5, -0.0 (0.331 +0.059, -0.0)	14.4 (0.567)	7.9 Min (0.311) 10.9 Max (0.429)
12 mm	330.0 (12.992)	1.5 (0.059)	13.0 ± 0.20 (0.512 ± 0.008)	20.2 (0.795)	Table 1	12.4 +2.0, -0.0 (0.488 +0.078, -0.0)	18.4 (0.724)	11.9 Min (0.469) 15.4 Max (0.606)



**Punched Carrier (Paper Tape) Configuration (Ceramic Chips Only):**



**Table 1: 8 & 12mm Punched Tape**  
(Metric Dimensions Will Govern)

**Constant Dimensions - Millimeters (Inches)**

Tape Size	D <sub>0</sub>	E	P <sub>0</sub>	P <sub>2</sub>	T <sub>1</sub>	G <sub>1</sub>	G <sub>2</sub>	R Min.
8mm and 12mm	1.5 +0.10, -0.0 (.059 +0.004, -0.0)	1.75 ± 0.10 (.069 ± 0.004)	4.0 ± 0.10 (.157 ± 0.004)	2.0 ± 0.05 (.079 ± 0.002)	0.10 (.004) Max.	0.75 (.030) Min.	0.75 (.030) Min.	25 (.984) See Note 2 Table 1

**Table 1: 8 & 12mm Punched Tape**  
(Metric Dimensions Will Govern)

**Variable Dimensions - Millimeters (Inches)**

Tape Size	P <sub>1</sub>	F	W	A <sub>0</sub> B <sub>0</sub>	T
8mm 1/2 Pitch	2.0 ± 0.10 (.079 ± .004) See Requirements Section 3.3 (d)	3.5 ± 0.05 (.138 ± .002)	8.0 ± 0.3 (.315 ± 0.012)	See Note 1 Table 1	1.1mm (.043) Max. for Paper Base Tape and 1.6mm (.063) Max. for Non- Paper Base Compositions. See Note 3.
8mm	4.0 ± 0.10 (0.157 ± .004)				
12mm	4.0 ± 0.10 (0.157 ± .004)				
12mm Double Pitch	8.0 ± 0.10 (0.315 ± .004)				

**Note:**

- A<sub>0</sub>, B<sub>0</sub> and T determined by the maximum dimensions to the ends of the terminals extending from the body and/or the body dimensions of the component. The clearance between the ends of the terminals or body of the component to the sides and depth of the cavity (A<sub>0</sub>, B<sub>0</sub> and T) must be within 0.05mm (.002) minimum and 0.50mm (.020) maximum. The clearance allowed must also prevent rotation of the component within the cavity of not more than 20 degrees (see sketches A and B).
- Tape with components shall pass around radius "R" without damage.
- KEMET nominal thicknesses are: 0402 = 0.6mm and all others 0.95mm minimum.

**Sketch A:**  
Bending Radius  
See Note 2  
Table 1



**Sketch B:**  
Max. Component  
Rotation - Front  
Cross Sectional View

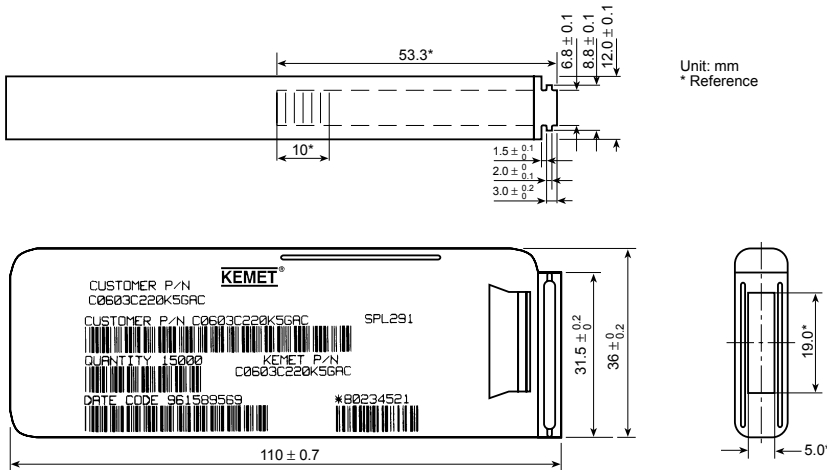


**Sketch C:**  
Component Rotation - Top View



### Bulk Cassette Packaging (Ceramic Chips only) (Meets Dimensional Requirements IEC-286-6 and EIAJ 7201)

### Table 2 – Capacitance Values Available In Bulk Cassette Packaging



Case Size	Dielectric	Voltage	Min. Cap Value	Max. Cap Value
0402	All	All	All	All
0603	All	All	All	All
0805	C0G	200	109	181
		100	109	331
0805	X7R	200	221	392
		100	221	103
		50	221	273
		25	221	104
		16	221	104
0805	Y5V	25	104	224
		16	104	224

### Table 1 – Capacitor Dimensions for Bulk Cassette Packaging – Millimeters

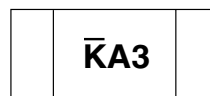
Metric Size Code	EIA Size Code	Length L	Width W	Thickness T	Bandwidth B	Minimum Separation S	Number of Pcs/Cassette
1005	0402	1.0 ± 0.05	0.5 ± 0.05	0.5 ± .05	0.2 to 0.4	0.3	50,000
1608	0603	1.6 ± 0.07	0.8 ± 0.07	0.8 ± .07	0.2 to 0.5	0.7	15,000
2012	0805	2.0 ± 0.10	1.25 ± 0.10	0.6 ± .10	0.5 to 0.75	0.75	10,000

Terminations: KEMET nickel barrier layer with a tin overplate.

### CAPACITOR MARKING TABLE (Marking Optional - Not Available for 0402 Size or Y5V Dielectric)

Alpha Character	Capacitance (pF) For Various Numerical Identifiers								
	9	0	1	2	3	4	5	6	7
A	0.10	1.0	10	100	1000	10,000	100,000	1,000,000	10,000,000
B	0.11	1.1	11	110	1100	11,000	110,000	1,100,000	11,000,000
C	0.12	1.2	12	120	1200	12,000	120,000	1,200,000	12,000,000
D	0.13	1.3	13	130	1300	13,000	130,000	1,300,000	13,000,000
E	0.15	1.5	15	150	1500	15,000	150,000	1,500,000	15,000,000
F	0.16	1.6	16	160	1600	16,000	160,000	1,600,000	16,000,000
G	0.18	1.8	18	180	1800	18,000	180,000	1,800,000	18,000,000
H	0.20	2.0	20	200	2000	20,000	200,000	2,000,000	20,000,000
J	0.22	2.2	22	220	2200	22,000	220,000	2,200,000	22,000,000
K	0.24	2.4	24	240	2400	24,000	240,000	2,400,000	24,000,000
L	0.27	2.7	27	270	2700	27,000	270,000	2,700,000	27,000,000
M	0.30	3.0	30	300	3000	30,000	300,000	3,000,000	30,000,000
N	0.33	3.3	33	330	3300	33,000	330,000	3,300,000	33,000,000
P	0.36	3.6	36	360	3600	36,000	360,000	3,600,000	36,000,000
Q	0.39	3.9	39	390	3900	39,000	390,000	3,900,000	39,000,000
R	0.43	4.3	43	430	4300	43,000	430,000	4,300,000	43,000,000
S	0.47	4.7	47	470	4700	47,000	470,000	4,700,000	47,000,000
T	0.51	5.1	51	510	5100	51,000	510,000	5,100,000	51,000,000
U	0.56	5.6	56	560	5600	56,000	560,000	5,600,000	56,000,000
V	0.62	6.2	62	620	6200	62,000	620,000	6,200,000	62,000,000
W	0.68	6.8	68	680	6800	68,000	680,000	6,800,000	68,000,000
X	0.75	7.5	75	750	7500	75,000	750,000	7,500,000	75,000,000
Y	0.82	8.2	82	820	8200	82,000	820,000	8,200,000	82,000,000
Z	0.91	9.1	91	910	9100	91,000	910,000	9,100,000	91,000,000
a	0.25	2.5	25	250	2500	25,000	250,000	2,500,000	25,000,000
b	0.35	3.5	35	350	3500	35,000	350,000	3,500,000	35,000,000
d	0.40	4.0	40	400	4000	40,000	400,000	4,000,000	40,000,000
e	0.45	4.5	45	450	4500	45,000	450,000	4,500,000	45,000,000
f	0.50	5.0	50	500	5000	50,000	500,000	5,000,000	50,000,000
m	0.60	6.0	60	600	6000	60,000	600,000	6,000,000	60,000,000
n	0.70	7.0	70	700	7000	70,000	700,000	7,000,000	70,000,000
t	0.80	8.0	80	800	8000	80,000	800,000	8,000,000	80,000,000
y	0.90	9.0	90	900	9000	90,000	900,000	9,000,000	90,000,000

Laser marking is available as an extra-cost option for most KEMET ceramic chips. Such marking is two sided, and includes a  $\bar{K}$  to identify KEMET, followed by two characters (per EIA-198 - see table below) to identify the capacitance value. Note that marking is not available for size 0402 nor for any Y5V chip. In addition, the 0603 marking option is limited to the  $\bar{K}$  only.



Example shown is 1,000 pF capacitor.