

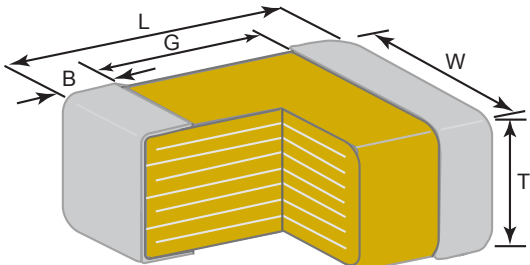
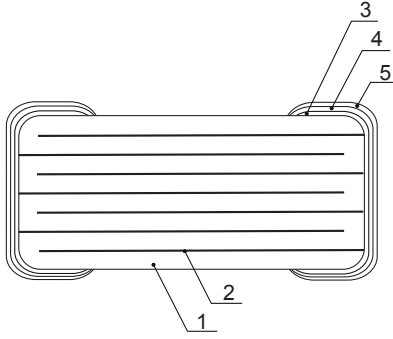
# TDK MLCC Datasheet (Preliminary)<sup>1</sup>

TDK P/N **C1005** **X5R** **0J** **224** **M** **T** **XXXX**

1)                      2)                      3)                      4)                      5)                      6)                      7)

No.	Segment	Detail	Comments
1	Case Size	1.0 x 0.5 mm	See below for dimensions.
2	Temperature Characteristics	-55+85°C ± 15%	Class II ; Conforms to EIA 198
3	Rated Voltage	6.3 V	DC
4	Capacitance	220,000 pF	1.0 ± 0.2 Vrms , 1kHz ± 10%
5	Capacitance Tolerance	± 20%	Conforms to IEC 384-9
6	Packaging Style	Tape and Reel	EIA 481 Format
7	TDK internal Code	XXXX	(Internal TDK use only)
-	Dissipation Factor (DF)	0.10max.	1.0 ± 0.2 Vrms , 1kHz ± 10%
-	Insulation Resistance	2272 MΩ min.	apply rated voltage for 60s

Condition for life : Apply rated voltage at maximum operating temperature +/-2C for 1,000+48, 0h.

Physical Dimensions		Material System																																																								
																																																										
<table border="1" style="width: 100%;"> <thead> <tr> <th>Symbol</th> <th>Dimensions (mm)</th> </tr> </thead> <tbody> <tr> <td>L</td> <td>1.0 ± 0.05</td> </tr> <tr> <td>W</td> <td>0.5 ± 0.05</td> </tr> <tr> <td>T</td> <td>0.5 ± 0.05</td> </tr> <tr> <td>B</td> <td>0.1 min.</td> </tr> <tr> <td>G</td> <td>0.3 min.</td> </tr> </tbody> </table>	Symbol	Dimensions (mm)	L	1.0 ± 0.05	W	0.5 ± 0.05	T	0.5 ± 0.05	B	0.1 min.	G	0.3 min.	<table border="1" style="width: 100%;"> <thead> <tr> <th rowspan="3">No.</th> <th rowspan="3">Name</th> <th colspan="4">Material</th> </tr> <tr> <th colspan="2">Class I</th> <th colspan="2">Class II</th> </tr> <tr> <th>Pd</th> <th>TME</th> <th>Pd</th> <th>TME</th> </tr> </thead> <tbody> <tr> <td>1</td> <td>Dielectric</td> <td>TiO2</td> <td>CaZrO3</td> <td colspan="2">BaTiO3</td> </tr> <tr> <td>2</td> <td>Electrode</td> <td>Pd</td> <td>Ni</td> <td>Pd</td> <td>Ni</td> </tr> <tr> <td>3</td> <td rowspan="3">Termination</td> <td>Ag or Ag/Pd</td> <td>Cu</td> <td>Ag or Ag/Pd</td> <td>Cu</td> </tr> <tr> <td>4</td> <td colspan="4" style="text-align: center;">Ni</td> </tr> <tr> <td>5</td> <td colspan="4" style="text-align: center;">Sn</td> </tr> </tbody> </table>				No.	Name	Material				Class I		Class II		Pd	TME	Pd	TME	1	Dielectric	TiO2	CaZrO3	BaTiO3		2	Electrode	Pd	Ni	Pd	Ni	3	Termination	Ag or Ag/Pd	Cu	Ag or Ag/Pd	Cu	4	Ni				5	Sn			
Symbol	Dimensions (mm)																																																									
L	1.0 ± 0.05																																																									
W	0.5 ± 0.05																																																									
T	0.5 ± 0.05																																																									
B	0.1 min.																																																									
G	0.3 min.																																																									
No.	Name	Material																																																								
		Class I		Class II																																																						
		Pd	TME	Pd	TME																																																					
1	Dielectric	TiO2	CaZrO3	BaTiO3																																																						
2	Electrode	Pd	Ni	Pd	Ni																																																					
3	Termination	Ag or Ag/Pd	Cu	Ag or Ag/Pd	Cu																																																					
4		Ni																																																								
5		Sn																																																								

<sup>1</sup> This datasheet gives a basic overview of the multilayer ceramic capacitor as defined in the above TDK part number. A full specification (including part number construction, available capacitance ranges, packaging and caution notes) is available upon request. The information above is subject to change by TDK without any notice.