

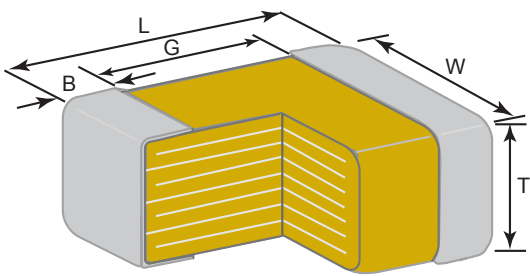
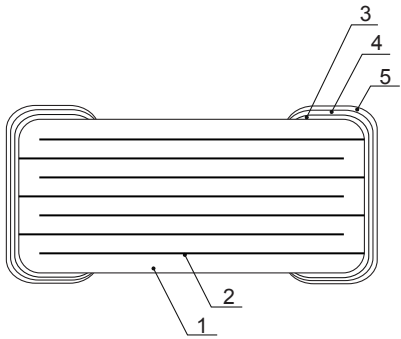
TDK MLCC Datasheet¹

TDK P/N C1608 X5R 1A 474 K T XXXX

1)
2)
3)
4)
5)
6)
7)

No.	Segment	Detail	Comments
1	Case Size	1.6 x 0.8 mm	See below for dimensions.
2	Temperature Characteristics	-55+85°C ± 15%	Class II ; Conforms to EIA 198
3	Rated Voltage	10V	DC
4	Capacitance	470,000 pF	1.0 ± 0.2 Vrms , 1kHz ± 10%
5	Capacitance Tolerance	± 10%	Conforms to IEC 384-9
6	Packaging Style	Tape and Reel	EIA 481 Format
7	TDK internal Code	XXXX	(Internal TDK use only)
-	Dissipation Factor (DF)	0.075 max.	1.0 ± 0.2 Vrms , 1kHz ± 10%
-	Insulation Resistance	212 MΩ min.	apply rated voltage for 60s

Condition for life : Apply rated voltage at maximum operating temperature +/-2C for 1,000+48, 0h.

Physical Dimensions	Material System																																																						
																																																							
<table border="1" style="width: 100%; border-collapse: collapse; margin-top: 20px;"> <thead> <tr> <th style="width: 15%;">Symbol</th> <th style="width: 85%;">Dimensions (mm)</th> </tr> </thead> <tbody> <tr> <td>L</td> <td>1.6 ± 0.15</td> </tr> <tr> <td>W</td> <td>0.8 ± 0.15</td> </tr> <tr> <td>T</td> <td>1.0 Max.</td> </tr> <tr> <td>B</td> <td>0.2 min.</td> </tr> <tr> <td>G</td> <td>0.5 min.</td> </tr> </tbody> </table>	Symbol	Dimensions (mm)	L	1.6 ± 0.15	W	0.8 ± 0.15	T	1.0 Max.	B	0.2 min.	G	0.5 min.	<table border="1" style="width: 100%; border-collapse: collapse; margin-top: 20px;"> <thead> <tr> <th rowspan="3" style="width: 5%;">No.</th> <th rowspan="3" style="width: 15%;">Name</th> <th colspan="4" style="text-align: center;">Material</th> </tr> <tr> <th colspan="2" style="text-align: center;">Class I</th> <th colspan="2" style="text-align: center;">Class II</th> </tr> <tr> <th style="text-align: center;">Pd</th> <th style="text-align: center;">TME</th> <th style="text-align: center;">Pd</th> <th style="text-align: center;">TME</th> </tr> </thead> <tbody> <tr> <td>1</td> <td>Dielectric</td> <td style="text-align: center;">TiO2</td> <td style="text-align: center;">CaZrO3</td> <td colspan="2" style="text-align: center;">BaTiO3</td> </tr> <tr> <td>2</td> <td>Electrode</td> <td style="text-align: center;">Pd</td> <td style="text-align: center;">Ni</td> <td style="text-align: center;">Pd</td> <td style="text-align: center;">Ni</td> </tr> <tr> <td>3</td> <td rowspan="3" style="text-align: center;">Termination</td> <td style="text-align: center;">Ag or Ag/Pd</td> <td style="text-align: center;">Cu</td> <td style="text-align: center;">Ag or Ag/Pd</td> <td style="text-align: center;">Cu</td> </tr> <tr> <td>4</td> <td colspan="4" style="text-align: center;">Ni</td> </tr> <tr> <td>5</td> <td colspan="4" style="text-align: center;">Sn</td> </tr> </tbody> </table>	No.	Name	Material				Class I		Class II		Pd	TME	Pd	TME	1	Dielectric	TiO2	CaZrO3	BaTiO3		2	Electrode	Pd	Ni	Pd	Ni	3	Termination	Ag or Ag/Pd	Cu	Ag or Ag/Pd	Cu	4	Ni				5	Sn			
Symbol	Dimensions (mm)																																																						
L	1.6 ± 0.15																																																						
W	0.8 ± 0.15																																																						
T	1.0 Max.																																																						
B	0.2 min.																																																						
G	0.5 min.																																																						
No.	Name	Material																																																					
		Class I		Class II																																																			
		Pd	TME	Pd	TME																																																		
1	Dielectric	TiO2	CaZrO3	BaTiO3																																																			
2	Electrode	Pd	Ni	Pd	Ni																																																		
3	Termination	Ag or Ag/Pd	Cu	Ag or Ag/Pd	Cu																																																		
4		Ni																																																					
5		Sn																																																					

¹ This datasheet gives a basic overview of the multilayer ceramic capacitor as defined in the above TDK part number. A full specification (including part number construction, available capacitance ranges, packaging and caution notes) is available upon request. The information above is subject to change by TDK without any notice.