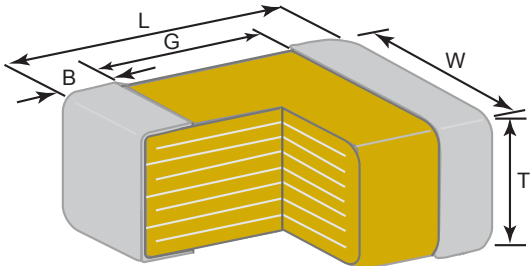
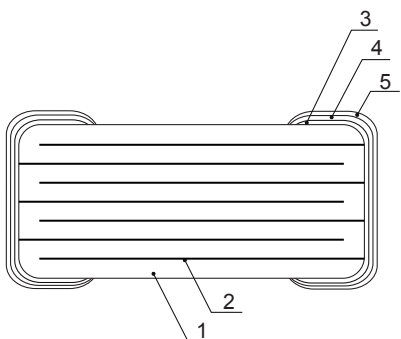


TDK MLCC Datasheet¹

TDK P/N C1608 X7R 2A 103 K T XXXX

1)
2)
3)
4)
5)
6)
7)

No.	Segment	Detail	Comments
1	Case Size	1.6 x 0.8 mm	See below for dimensions.
2	Temperature Characteristics	-55 +125°C ± 15%	Class II ; Conforms to EIA 198
3	Rated Voltage	100 V	DC
4	Capacitance	10,000 pF	1.0 ± 0.2 Vrms , 1kHz ± 10%
5	Capacitance Tolerance	± 10%	Conforms to IEC 384-9
6	Packaging Style	Tape and Reel, 8 mm	EIA 481 Format
7	TDK internal Code	XXXX	(Internal TDK use only)
-	Dissipation Factor (DF)	0.03 max.	1.0 ± 0.2 Vrms , 1kHz ± 10%
-	Insulation Resistance	10,000 M min.	apply rated voltage for 60s

Physical Dimensions	Material System																																																
																																																	
<table border="1" style="width: 100%; border-collapse: collapse; margin-top: 20px;"> <thead> <tr> <th style="width: 15%;">Symbol</th> <th style="width: 85%;">Dimensions (mm)</th> </tr> </thead> <tbody> <tr> <td>L</td> <td>1.6 ± 0.1</td> </tr> <tr> <td>W</td> <td>0.8 ± 0.1</td> </tr> <tr> <td>T</td> <td>0.9 max.</td> </tr> <tr> <td>B</td> <td>0.2 min.</td> </tr> <tr> <td>G</td> <td>0.5 min.</td> </tr> </tbody> </table>	Symbol	Dimensions (mm)	L	1.6 ± 0.1	W	0.8 ± 0.1	T	0.9 max.	B	0.2 min.	G	0.5 min.	<table border="1" style="width: 100%; border-collapse: collapse; margin-top: 20px;"> <thead> <tr> <th rowspan="2" style="width: 5%;">No.</th> <th rowspan="2" style="width: 15%;">Name</th> <th colspan="3" style="text-align: center;">Material</th> </tr> <tr> <th style="width: 15%;">Class I</th> <th colspan="2" style="width: 65%;">Class II & III</th> </tr> </thead> <tbody> <tr> <td></td> <td></td> <td colspan="3" style="text-align: center;">TME</td> </tr> <tr> <td>1</td> <td>Dielectric</td> <td>TiO2</td> <td>CaZrO3</td> <td>BaTiO3</td> </tr> <tr> <td>2</td> <td>Electrode</td> <td colspan="3" style="text-align: center;">Ni</td> </tr> <tr> <td>3</td> <td rowspan="3" style="text-align: center;">Termination</td> <td colspan="3" style="text-align: center;">Cu</td> </tr> <tr> <td>4</td> <td colspan="3" style="text-align: center;">Ni</td> </tr> <tr> <td>5</td> <td colspan="3" style="text-align: center;">Sn</td> </tr> </tbody> </table>	No.	Name	Material			Class I	Class II & III				TME			1	Dielectric	TiO2	CaZrO3	BaTiO3	2	Electrode	Ni			3	Termination	Cu			4	Ni			5	Sn		
Symbol	Dimensions (mm)																																																
L	1.6 ± 0.1																																																
W	0.8 ± 0.1																																																
T	0.9 max.																																																
B	0.2 min.																																																
G	0.5 min.																																																
No.	Name	Material																																															
		Class I	Class II & III																																														
		TME																																															
1	Dielectric	TiO2	CaZrO3	BaTiO3																																													
2	Electrode	Ni																																															
3	Termination	Cu																																															
4		Ni																																															
5		Sn																																															

¹ This datasheet gives a basic overview of the multilayer ceramic capacitor as defined in the above TDK part number. A full specification (including part number construction, available capacitance ranges, packaging and caution notes) is available upon request. The information above is subject to change by TDK without any notice.