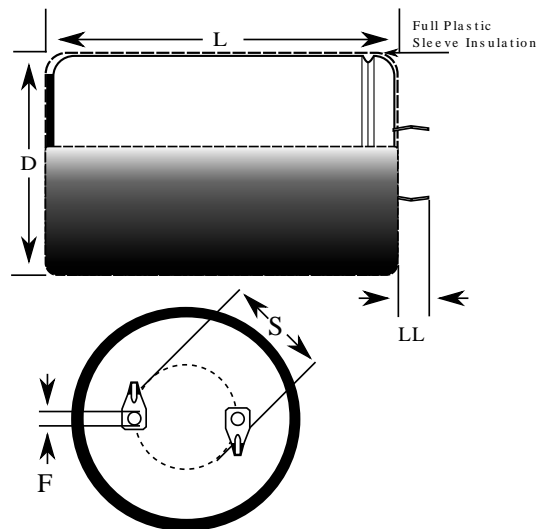


A561EH471M450A

aka PEH534YDG3470M2

Capacitor, aluminum, 470 uF, 20% Tol, 450V@85C



Dimensions (mm)

| ID | Dimension | Tolerance |
|----|-----------|-----------|
| S | 10 | +/-0.1 |
| LL | 6.3 | +/-1 |
| L | 50 | +/-2 |
| D | 35 | +1/-0 |
| F | 2 | +/-0.1 |

Specifications

| | |
|------------------------------|-----------|
| RoHS: | Yes |
| Temperature Range: | -40/+105C |
| Capacitance: | 470 uF |
| Tolerance: | 20% |
| Voltage DC @ 85C: | 450V |
| Voltage DC @ 105C: | 450V |
| Operational Lifetime @ 65C: | 4000 h |
| Operational Lifetime @ 85C: | 4000 h |
| Operational Lifetime @ 105C: | 4000 h |
| Package Quantity: | 100 |
| Packaging: | Bulk |
| ESR at 100KHz at room temp: | 110 mOhm |