

CUSTOMER:
CUSTOMER PN:
GLOBAL PN: EKMh201VNN102MA35S
CONTROL NO.: 199680

ELECTRICAL CRITERIA
 CAPACITANCE (120Hz/20°C): 1000 µF
 CAP.TOLERANCE: ± 20 %
 RATED VDC 200 V
 SURGE VDC (30 sec): 250 V
 MAX. TAN δ (120Hz/20°C) : 15 %
 TYP. ESR (120Hz/20°C): 100 mΩ
 MAX. IRMS (120Hz/105°C): 2.28 A
 MAX. DCL (V_{DC}/5:00/20°C): 3.000 mA

MECHANICAL CRITERIA
 MAX. VIBRATION: 10-55Hz 10g
 TYP. WEIGHT: 51 grams

OPERATING CRITERIA
 MAX. TEMPERATURE: +105 °C
 MIN. TEMPERATURE: -25 °C
 LOAD LIFE (V_{DC}+I_{IRMS}/105°C): 2000 Hrs
 MAX. Δ CAP. (measured value): ± 20 %
 MAX. TAN δ (specified value): +200 %
 MAX. DCL (V_{DC}/5:00/20°C): 3.000 mA
 SHELF LIFE (105°C): 1000 Hrs
 MAX. Δ CAP. (measured value): ± 20 %
 MAX. TAN δ (specified value): +150 %
 MAX. DCL (V_{DC}/5:00/20°C): 3.000 mA

IRMS FREQUENCY MULTIPLIERS

V _{DC}	50Hz	120Hz	300Hz	1kHz	10kHz	100kHz
6.3-50	0.95	1.00	1.03	1.05	1.08	1.08
63-100	0.92	1.00	1.07	1.12	1.19	1.20
160-250	0.81	1.00	1.17	1.32	1.45	1.50
315-450	0.77	1.00	1.16	1.30	1.41	1.43

IRMS AMBIENT MULTIPLIERS

45°C	60°C	70°C	85°C	105°C
2.64	2.23	2.12	1.73	1.00

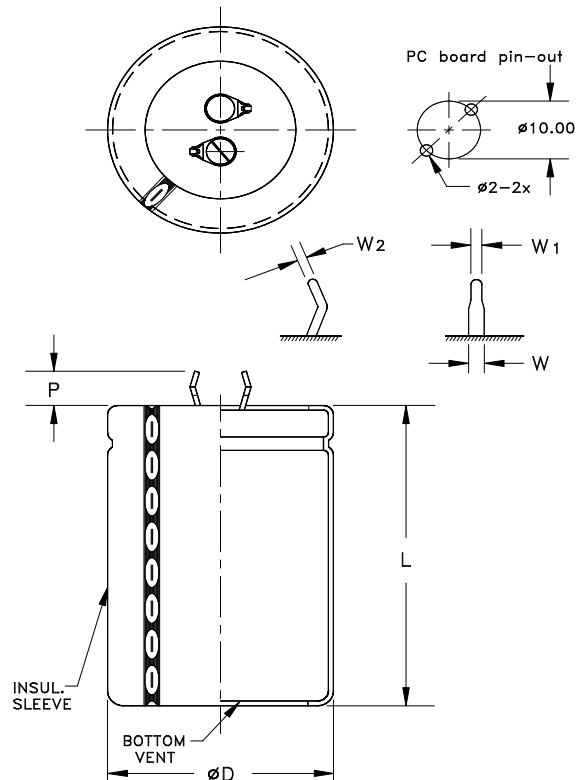
COMMENTS
 RoHS Compliant

DIMENSIONAL CRITERIA

X	mm		in	
	min	max	min	max
∅D	35.0	- NA		+ 1.0
L	35.0	- 2.0		+ 2.0
P	5.8	- 1.0		+ 1.0
W	1.5	- 0.2		+ 0.2
W ₁	1.0	- 0.1		+ 0.1
W ₂	1.0	- 0.1		+ 0.1

MARKING

NIPPON CHEMI-CON KMH 105°C
 200V 1000uF(M)
 Date Code



TDS NO.: TDS-10-0344
 AUTHOR: LMI
 DATE: JUL-08-2010