



VISHAY INTERTECHNOLOGY, INC.

MULTILAYER CERAMIC DIPPED AXIAL AND RADIAL CAPACITORS FOR AUTOMOTIVE APPLICATIONS

AEC-Q200 Approved



CAPACITORS

SELECTOR GUIDE

SEMICONDUCTORS

RECTIFIERS

- Schottky (single, dual)
- Standard, Fast and Ultra-Fast Recovery (single, dual)
- Bridge
- Superectifier®
- Sinterglass Avalanche Diodes

HIGH-POWER DIODES AND THYRISTORS

- High-Power Fast-Recovery Diodes
- Phase-Control Thyristors
- Fast Thyristors

SMALL-SIGNAL DIODES

- Schottky and Switching (single, dual)
- Tuner/Capacitance (single, dual)
- Bandswitching
- PIN

ZENER AND SUPPRESSOR DIODES

- Zener (single, dual)
- TVS (TRANZORB®, Automotive, ESD, Arrays)

FETs

- Low-Voltage TrenchFET® Power MOSFETs
- High-Voltage TrenchFET® Power MOSFETs
- High-Voltage Planar MOSFETs
- JFETs

OPTOELECTRONICS

- IR Emitters and Detectors, and IR Receiver Modules
- Optocouplers and Solid-State Relays
- Optical Sensors
- LEDs and 7-Segment Displays
- Infrared Data Transceiver Modules
- Custom Products

ICs

- Power ICs
- Analog Switches

MODULES

- Power Modules (contain power diodes, thyristors, MOSFETs, IGBTs)

PASSIVE COMPONENTS

RESISTIVE PRODUCTS

- Film Resistors
 - Metal Film Resistors
 - Thin Film Resistors
 - Thick Film Resistors
 - Metal Oxide Film Resistors
 - Carbon Film Resistors
- Wirewound Resistors
- Power Metal Strip® Resistors
- Chip Fuses
- Variable Resistors
 - Cermet Variable Resistors
 - Wirewound Variable Resistors
 - Conductive Plastic Variable Resistors
- Networks/Arrays
- Non-Linear Resistors
 - NTC Thermistors
 - PTC Thermistors
 - Varistors

MAGNETICS

- Inductors
- Transformers

CAPACITORS

- Tantalum Capacitors
 - Molded Chip Tantalum Capacitors
 - Coated Chip Tantalum Capacitors
 - Solid Through-Hole Tantalum Capacitors
 - Wet Tantalum Capacitors
- Ceramic Capacitors
 - Multilayer Chip Capacitors
 - Disc Capacitors
- Film Capacitors
- Power Capacitors
- Heavy-Current Capacitors
- Aluminum Capacitors

Multilayer Ceramic Dipped Axial and Radial Capacitors for Automotive Applications (AEC-Q200 Approved)

Vishay Electronic GmbH
Geheimrat-Rosenthal-Str. 100
95100 Selb
Germany
Phone: +49-9287-71-0
Fax: +49-9287-70435
www.vishay.com

DISCLAIMER All product specifications and data are subject to change without notice. Vishay Intertechnology, Inc., its affiliates, agents, and employees, and all persons acting on its or their behalf (collectively, "Vishay"), disclaim any and all liability for any errors, inaccuracies or incompleteness contained herein or in any other disclosure relating to any product. Vishay disclaims any and all liability arising out of the use or application of any product described herein or of any information provided herein to the maximum extent permitted by law. The product specifications do not expand or otherwise modify Vishay's terms and conditions of purchase, including but not limited to the warranty expressed therein, which apply to these products. No license, express or implied, by estoppel or otherwise, to any intellectual property rights is granted by this document or by any conduct of Vishay. The products shown herein are not designed for use in medical, life-saving, or life-sustaining applications unless otherwise expressly indicated. Customers using or selling Vishay products not expressly indicated for use in such applications do so entirely at their own risk and agree to fully indemnify Vishay for any damages arising or resulting from such use or sale. Please contact authorized Vishay personnel to obtain written terms and conditions regarding products designed for such applications. Product names and markings noted herein may be trademarks of their respective owners.



Multilayer Ceramic Dipped Axial and Radial Capacitors

For Automotive Applications (AEC-Q200 Approved)

Table of Contents

Applications.....	4
General Information	5
Ordering Information	6
Electrical Data and Dielectric Characteristics	7
Dimensions Data.....	8
Marking.....	9
Mono-Axial Marking Code Description	9
Mono-Kap	10
Packaging.....	11
Mono-Axial	11
Mono-Kap	13
Product Range	15
Mono-Axial C0G Dielectric	15
Mono-Axial X7R Dielectric	16
Mono-Axial X8R Dielectric	18
Mono-Kap C0G Dielectric	19
Mono-Kap X7R Dielectric	20
Mono-Axial X8R Dielectric	22

Multilayer Ceramic Dipped Axial and Radial Capacitors



For Automotive Applications (AEC-Q200 Approved)

Applications



Powertrain

- Engine Control Unit
- Common Rail Diesel Electrical Control
- Turbo Charger Control Unit
- Piezoelectric-Injection Driver
- Engine Sensors
- Electrical Fan Control
- Electrical Water Pump
- Ignition Electrical Drive
- Board Load-Control Unit
- Integrated Starter Generator
- Boardnet Management

Lighting Systems

- Headlight Leveling Control and Advanced Front Lighting Cleaning System
- Sensors for Night Vision Systems and Fog Detection
- LED Lighting
- Ambient Lighting
- HID Electrical

Chassis

- Active Safety
- Sensors
- EAGA, Electrical Catalytic Converter, Diesel Particle Filter
- Electrical Transmission
- Electric Park Brake
- Active Suspension
- Electrical Power Steering
- Electrical Hydraulic Power Steering
- Tire Pressure Monitoring

Body and Comfort

- Sensors
- Climate Control
- Seat Adjust and Memory
- Immobilizer and Security Systems
- Dashboard and Interior Illumination
- HVAC—Heating, Ventilating, Air Conditioning
- Multimedia Systems
- Passive Safety
- Reversible Wiper Drives
- Keyless or Passive Entry
- Door / Window / Sunroof Control

Driver Information

- Driver Information System
- GPS Car Navigation and Audio System
- SDARS / Antenna / Amplifier System
- Bluetooth Communication
- Lidar Sensor



Multilayer Ceramic Dipped Axial and Radial Capacitors

For Automotive Applications (AEC-Q200 Approved)

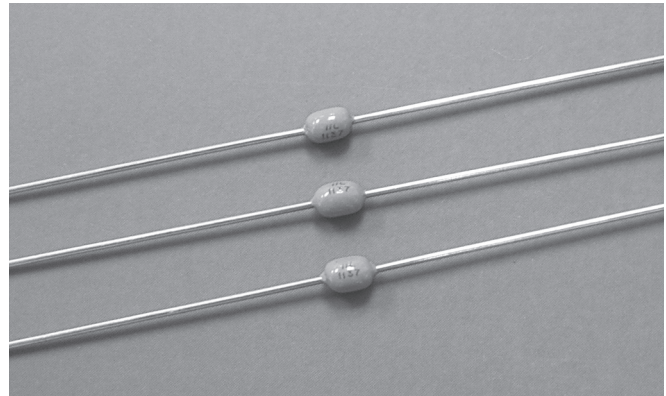
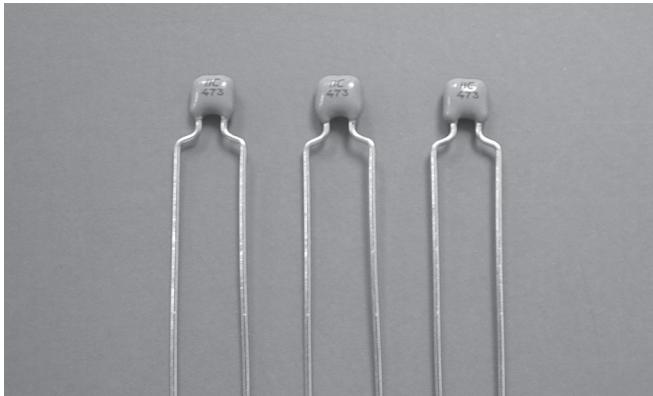
General Information

For more than 20 years, Vishay Vitramon has supported the automotive industry with robust, highly reliable MLCCs that have made it a leader in this segment. All Vishay Vitramon MLCCs are manufactured in precious metal technology (PMT/NME) with a wet build process. They are qualified according to AEC-Q200 with PPAP available on request.

These chips are used in the automotive-grade Mono-Axial and Mono-Kap series from Vishay BCcomponents. They feature coppery steel wire lead terminations with a 100 % tin plate matte finish. Their epoxy coating provides mechanical strength for assembly extended-life environmental protection.



RoHS
COMPLIANT



General Specifications	
C0G (NP0) Dielectric	X7R, X8R Dielectric
<p>Note: Electrical characteristics at + 25 °C unless otherwise specified</p> <p>Operating Temperature: – 55 °C to + 150 °C (above + 125 °C, see Temperature Dependence curve)</p> <p>Capacitance Range: 100 pF to 10 nF</p> <p>Temperature Coefficient of Capacitance (TCC): ± 30 ppm/°C from – 55 °C to + 125 °C</p> <p>Dissipation Factor (DF): 0.1 % maximum at 1.0 Vrms and 1 kHz for values > 1000 pF and 1 MHz for values ≤ 1000 pF</p> <p>Voltage Range: 50 Vdc, 100 Vdc, and 200 Vdc</p> <p>Insulating Resistance: At + 25 °C 100 000 MΩ min. or 1000 ΩF whichever is less At + 125 °C 10 000 MΩ min. or 100 ΩF whichever is less Test condition: rated voltage within 2 minutes of charging</p> <p>Aging: 0 % maximum per decade</p> <p>Dielectric Withstanding Voltage (DWV): This is the maximum voltage the capacitors are tested for a 1-s to 5-s period and the charge/discharge current does not exceed 50 mA DWV: 50 V to 100 V, at 250 % of rated voltage 200 V, at 200 % of rated voltage</p>	<p>Note: Electrical characteristics at +25 °C unless otherwise specified</p> <p>Operating Temperature: – 55 °C to + 150 °C (X7R above + 125 °C, see Temperature Dependence curve)</p> <p>Capacitance Range: 470 pF to 1.0 μF</p> <p>Temperature Coefficient of Capacitance (TCC): X7R: ± 15 % from – 55 °C to + 125 °C, with 0 Vdc applied + 15 %/– 30 % from – 55 °C to + 150 °C, with 0 Vdc applied X8R: ± 15 % from – 55 °C to + 150 °C, with 0 Vdc applied</p> <p>Dissipation Factor (DF): 2.5 % maximum at 1.0 Vrms and 1 kHz</p> <p>Voltage Range: 50 Vdc, 100 Vdc, and 200 Vdc</p> <p>Insulating Resistance: At + 25 °C 100 000 MΩ min. or 1000 ΩF whichever is less At + 125 °C 10 000 MΩ min. or 100 ΩF whichever is less</p> <p>Aging Rate: Typical 1 % maximum per decade</p> <p>Dielectric Withstanding Voltage (DWV): This is the maximum voltage the capacitors are tested for a 1-s to 5-s period and the charge/discharge current does not exceed 50 mA DWV: 50 V to 100 V, at 250 % of rated voltage 200 V, at 200 % of rated voltage</p>

Multilayer Ceramic Dipped Axial and Radial Capacitors



For Automotive Applications (AEC-Q200 Approved)

Ordering Information

Mono-Axial

A	103	K	15	X7R	F	5	TAA	V
Product Type	Capacitance Code	Cap. Tolerance	Size Code	Temp. Char.	Rated Voltage	Lead Dia.	Packaging	Automotive Application
A = Mono-Axial	Two significant digits followed by the number of zeros. Example: 103 = 10 000 pF	J = ± 5 % K = ± 10 % M = ± 20 %	Ref. mechanical spec.	C0G X7R X8R	F = 50 V H = 100 V K = 200 V	5 = 0.5 mm (0.20")	TAA = T&R UAA = AMMO	AEC Q200 Qualified for Automotive Grade Product

Ordering Example: A-103-K-15-X7R-F-5-TAA-V

Mono-Kap

K	102	K	15	X7R	F	5	3	H	5	V
Product Type	Capacitance Code	Cap. Tolerance	Size Code	Temp. Char.	Rated Voltage	Lead Dia.	Packaging	Lead Style	Lead Spacing	Automotive Application
A = Mono-Kap	Two significant digits followed by the number of zeros. Example: 102 = 1000 pF	J = ± 5 % K = ± 10 % M = ± 20 %	Ref. mechanical spec.	C0G X7R X8R	F = 50 V H = 100 V K = 200 V	5 = 0.5 mm (0.20")	3 = BULK, with lead length of 30 ± 5.0 mm (1.25") T = Tape and reel U = AMMO	L = Straight lead H = Hight seated assy	2 = 2.5 mm (0.1") 5 = 5.0 mm (0.2")	AEC Q200 Qualified for Automotive Grade Product

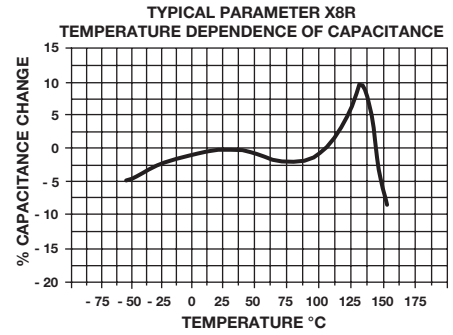
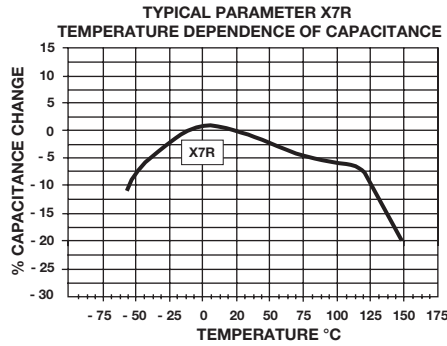
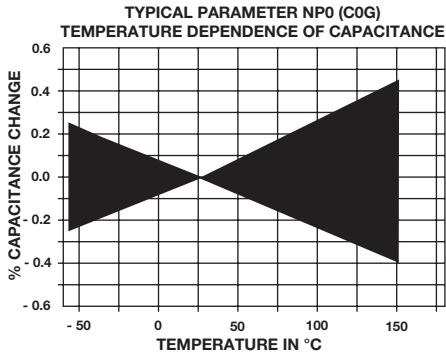
Ordering Example: K-473-K-15-X7R-F-5-3-H-5-V



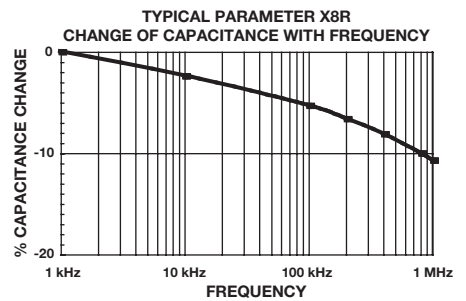
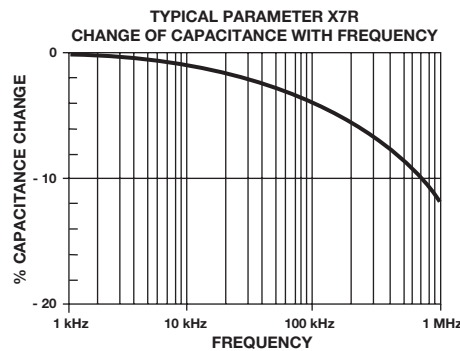
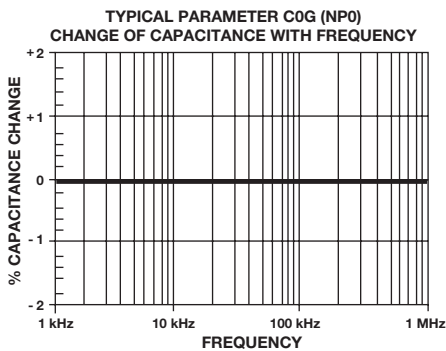
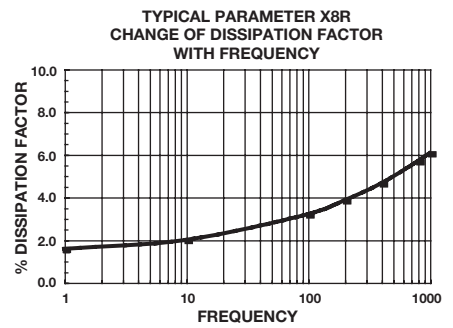
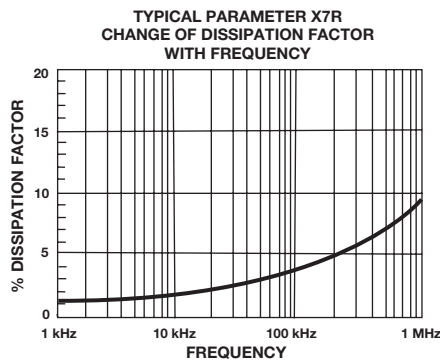
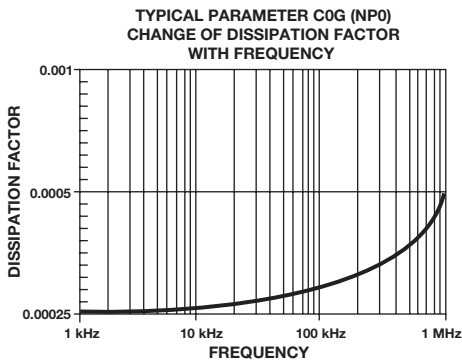
Multilayer Ceramic Dipped Axial and Radial Capacitors

For Automotive Applications (AEC-Q200 Approved)

Electrical Data and Dielectric Characteristics



Remark: NP0 and X7R are defined temperature up to + 125 °C



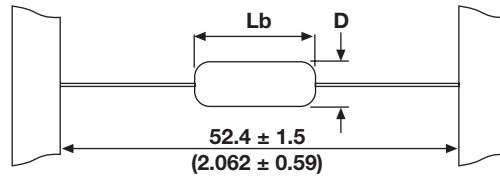
Multilayer Ceramic Dipped Axial and Radial Capacitors



For Automotive Applications (AEC-Q200 Approved)

Dimensions Data

Mono-Axial

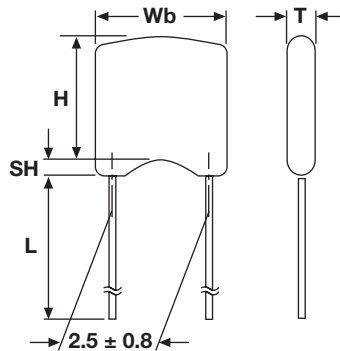


Capacitor Dimensions and Weight			
Size Code	Lb _{max} ⁽¹⁾	ØD _{max} ⁽¹⁾	Weight (g)
15	0.15 (3.8)	0.10 (2.5)	≈ 0.14
20	0.20 (5.0)	0.12 (3.0)	≈ 0.15

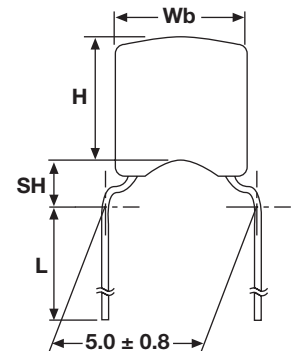
Note: 1. Dimensions between parentheses are in millimeters.
 2. If inserted with 1210 chip, then Ød_{max} is 4.5 mm (0.18").

Mono-Kap

L2
 Component outline for
 Lead spacing 2.5 ± 0.8 mm
 (straight leads)

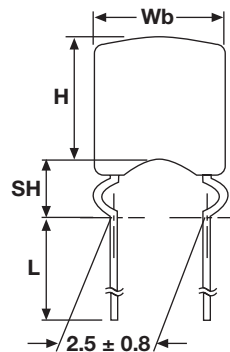


H5
 Component outline for
 Lead spacing 5.0 ± 0.8 mm
 (flat bent leads)

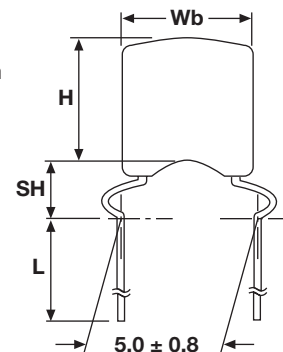


L2 and H5 are preferred styles

K2
 Component outline for
 Lead spacing 2.5 ± 0.8 mm
 (outside kink)



K5
 Component outline for
 Lead spacing 2.5 ± 0.8 mm
 (outside kink)





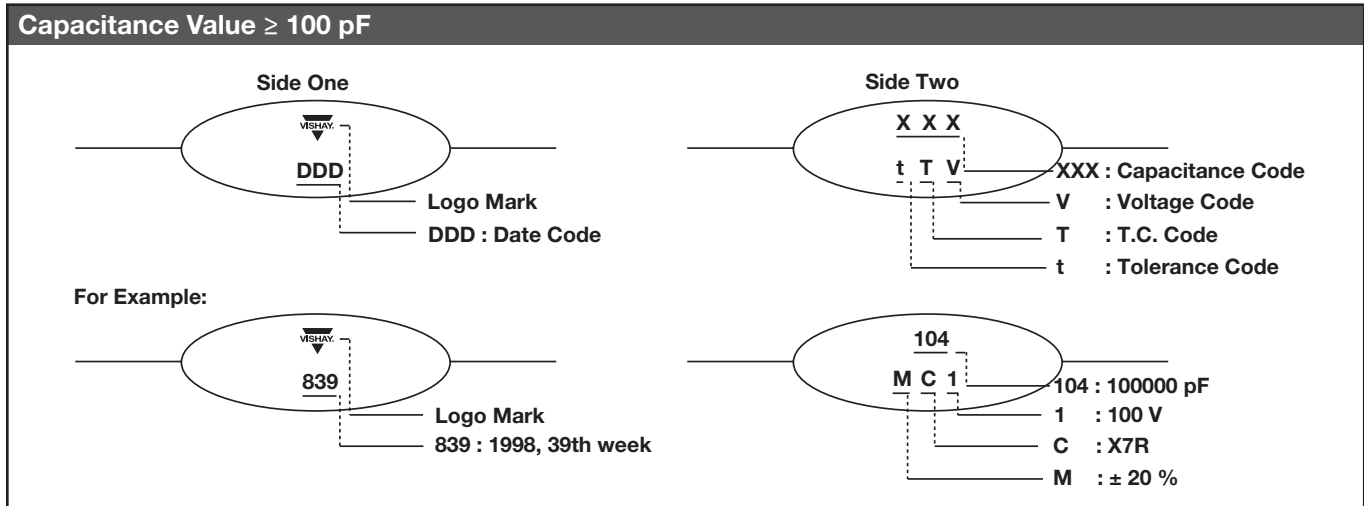
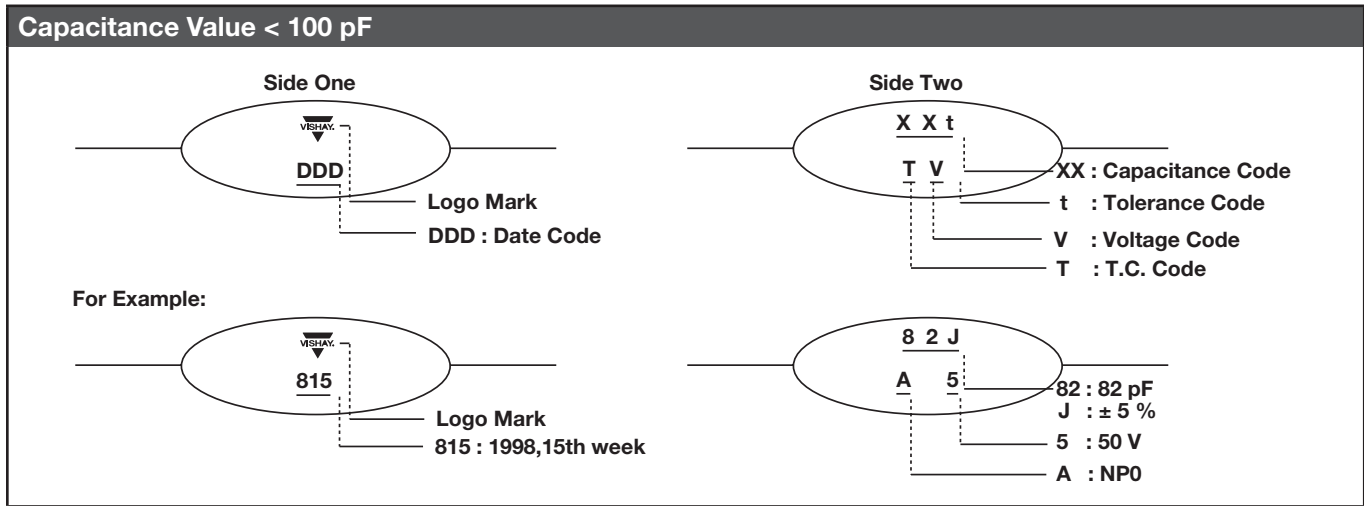
Multilayer Ceramic Dipped Axial and Radial Capacitors

For Automotive Applications (AEC-Q200 Approved)

Marking

Mono-Axial Marking Code Description

DDD Date Code	XXX Capacitance Code	t Tolerance Code	V Voltage Code	T T.C. Code
<p>The first digit is the year, the last two digits are the week</p> <p>Examples: 309 = 2003, 9th week 317 = 2003, 17th week</p>	<p>Two significant digits followed by one digit for the multiplier as given below.</p> <p>0=x 1 2=x 100 4=x 10 000 1=x 10 3=x 1000 5=x 100 000</p>	<p>J = ± 5 % K = ± 10 % M = ± 20 %</p>	<p>1 = 100 V 2 = 200 V 5 = 50 V</p>	<p>A = COG(NP0) C = X7R R = X8R</p>



Note: VISHAY or BCcomponents logo can be marked on the products body.

Multilayer Ceramic Dipped Axial and Radial Capacitors

For Automotive Applications (AEC-Q200 Approved)



Marking

Mono-Kap

Size 15 Capacitance Value < 100 pF

Vishay logo or BC logo

X X t

t : Tolerance code

XX : Capacitance code

For example

Vishay logo or BC logo

8 2 J

J : ± 5 %

82 : 82 pF

Size 15 Capacitance Value ≥ 100 pF

Vishay logo or BC logo

X X X

XXX : Capacitance code

For example

Vishay logo or BC logo

1 0 2

102 : 1000 pF

Size 20 Capacitance Value ≥ 100 pF

Vishay logo or BC logo

X X X t

t : Tolerance code

XXX : Capacitance code

For example

Vishay logo or BC logo

1 0 4 M

M : ± 20 %

104 : 100000 pF



Multilayer Ceramic Dipped Axial and Radial Capacitors

For Automotive Applications (AEC-Q200 Approved)

Packaging

Mono-Axial

Reel Data

A maximum of 0.5 % of the total number of capacitors per reel may be missing.

A maximum of 1 consecutive vacant positions is followed by 6 consecutive components.

Tape begins and ends with a minimum of 4 empty positions (50 mm tape).

Maximum of 5 splicers per reel.

Ammopack Data

A maximum of 0.5 % of the total number of capacitors per reel may be missing.

A maximum of 1 consecutive vacant positions is followed by 6 consecutive components.

Tape begins and ends with a minimum of 4 empty positions (180 mm tape).

Maximum of 5 splicers per reel.

The cumulative pitch tolerance over 20 consecutive units is not to exceed ± 1.0 mm.

Lead space (F) shall be measured at (3.6 ± 0.5) mm from the capacitor seating plane.

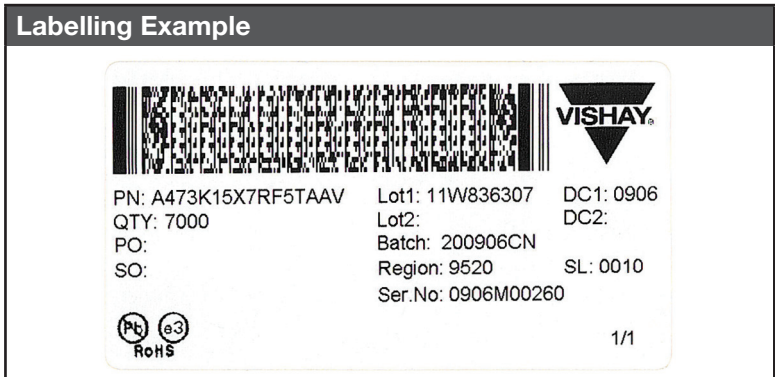
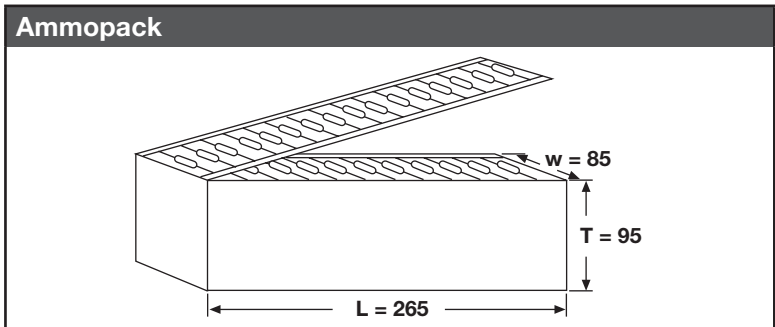
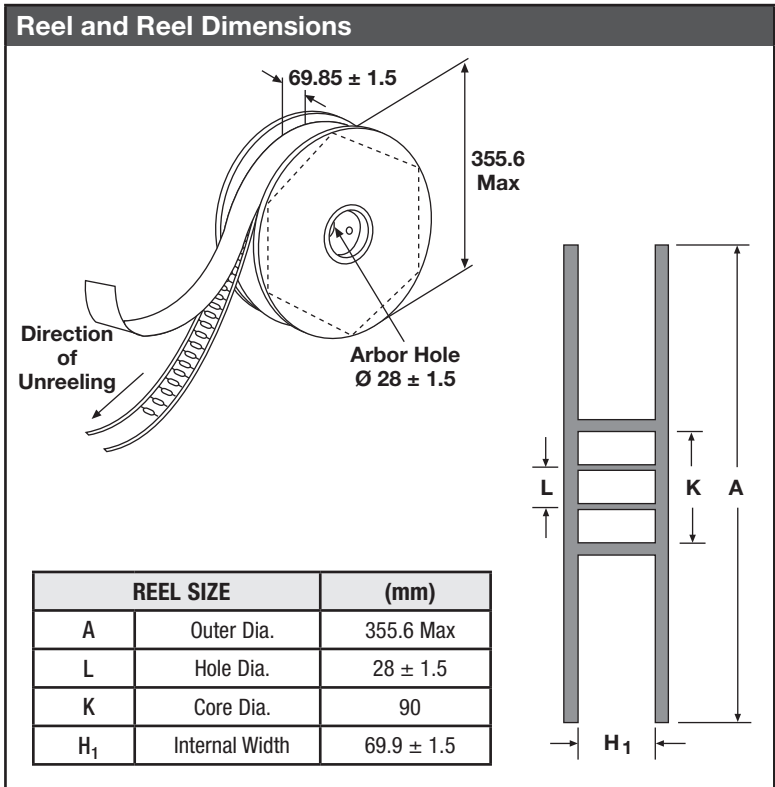
Labelling

Each reel is provided with a label showing the following details:

Manufacturer, A style, capacitance, tolerance, batch number, quantity of components, rated voltage, dielectric.

On special request other designations can be shown.

See example.



>>

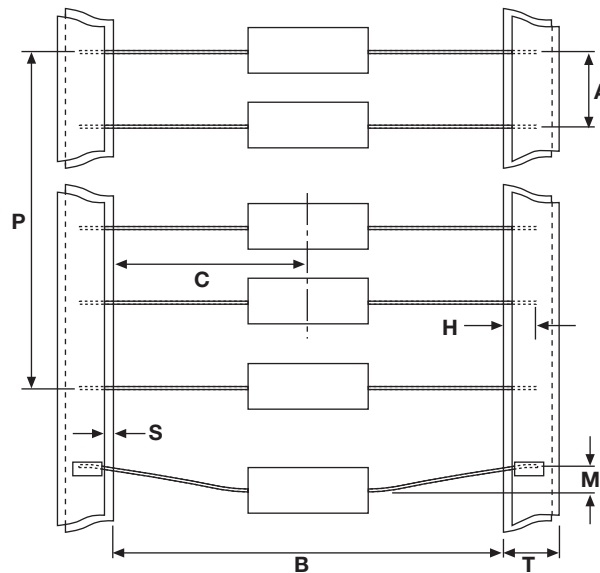
Packaging

Mono-Axial (continued)

Packaging Quantities and Box Dimensions

Packaging	Size Code	Smallest Packaging Quantity (SPQ)	Box Dimensions L x W x H (mm)
Tape on reel	15; 20	7000	370 x 370 x 90
Ammopack	15; 20	4000	265 x 85 x 95

Capacitors on Bandolier



Symbol	Parameter	Dimensions	
		mm	inch
B ⁽¹⁾	Inside tape spacing	52.4 ± 1.5	2.062 ± 0.059
C	Centre to tape spacing	± 0.8	± 0.031
P	Cumulative pitch, 6 consecutive components	± 1.5	± 0.059
A	Components pitch	5 ± 0.5	0.197 ± 0.015
M	Lead bend	< 1.2	< 0.047
S	Exposed adhesive	< 0.51	> 0.020
T	Tape width	6.35	0.25
H	Lead sandwich	> 3.96	> 0.156

Note:

1. Inside tape spacing 26.0 + 1.51/- 0.0 is available on request



Multilayer Ceramic Dipped Axial and Radial Capacitors

For Automotive Applications (AEC-Q200 Approved)

Packaging

Mono-Kap

Reel Data

A maximum of 0.5 % of the total number of capacitors per reel may be missing.

A maximum of 1 consecutive vacant positions is followed by 6 consecutive components.

Tape begins and ends with a minimum of 4 empty positions (50 mm tape).

Maximum of 5 splicers per reel.

Ammopack Data

A maximum of 0.5 % of the total number of capacitors per reel may be missing.

A maximum of 1 consecutive vacant positions is followed by 6 consecutive components.

Tape begins and ends with a minimum of 4 empty positions (50 mm tape).

Maximum of 5 splicers per reel.

The cumulative pitch tolerance over 20 consecutive units is not to exceed ± 1.0 mm.

Lead space (F) shall be measured at (3.6 ± 0.5) mm from the capacitor seating plane.

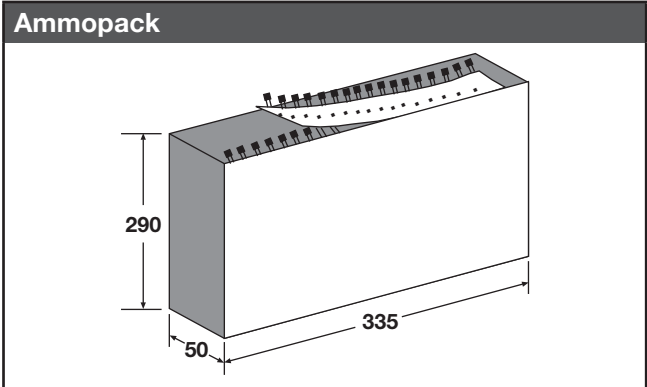
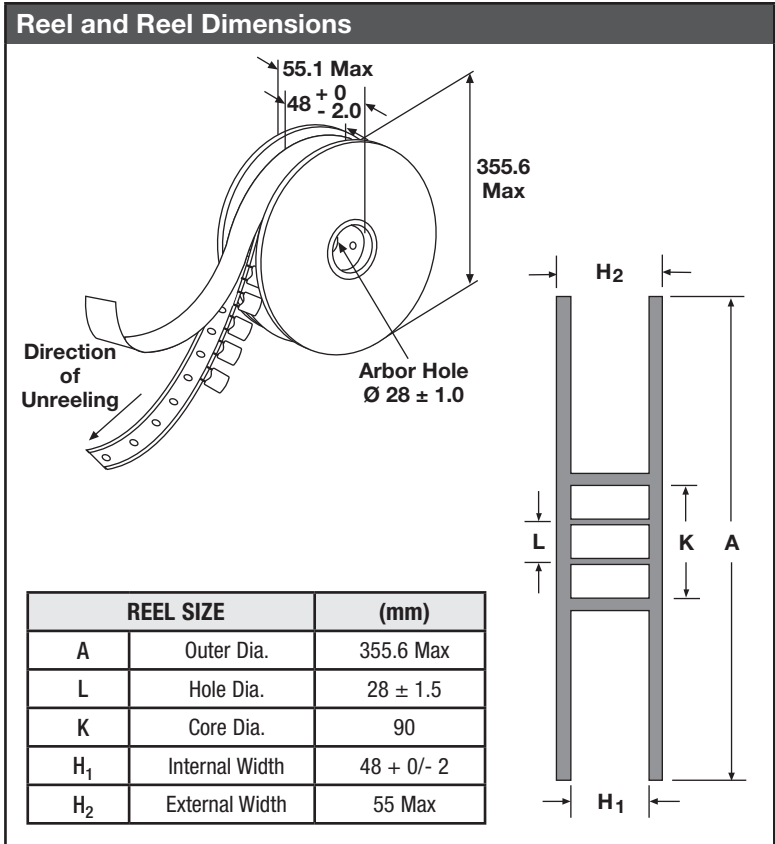
Labelling

Each reel is provided with a label showing the following details:

Manufacturer, K style, capacitance, tolerance, batch number, quantity of components, rated voltage, dielectric.

On special request other designations can be shown.

See example.



Labelling Example

Packaging Quantities and Box Dimensions

Packaging	Size Code	Smallest Packaging Quantity (SPQ)	Box Dimensions L x W x H (mm)
Tape on reel	15	4000	370 x 370 x 60
	20	3000	
Ammopack	15; 20	2500	335 x 290 x 50
Bulk (Note 1)	15; 20	5000	245 x 120 x 65

Note:

1. SPQ contains one or a multiple of poly-bags, 1000 units per bag.

>>

Multilayer Ceramic Dipped Axial and Radial Capacitors

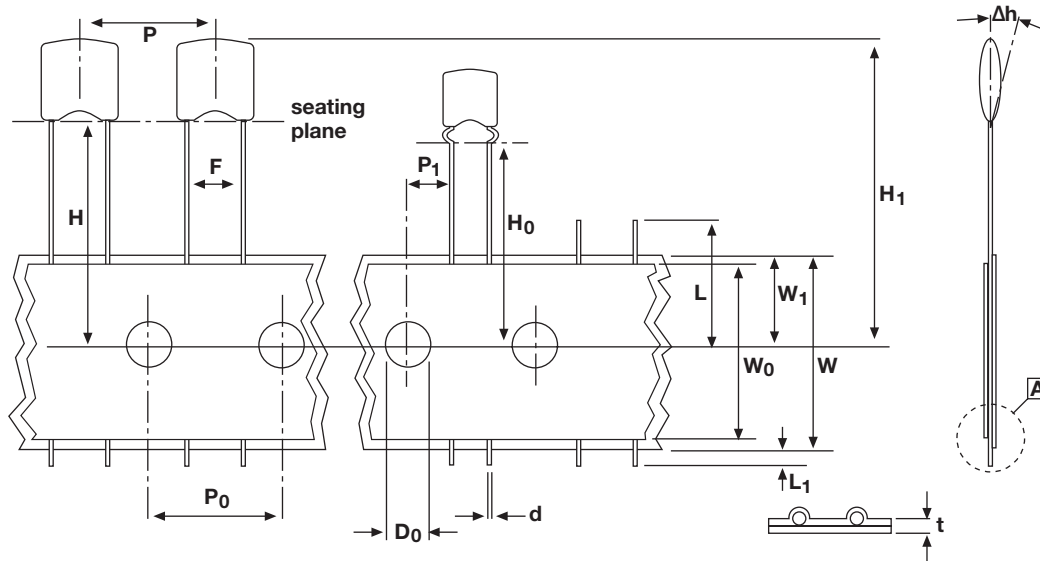


For Automotive Applications (AEC-Q200 Approved)

Packaging

Mono-Kap (continued)

Capacitors on Tape



Symbol	Parameter	Dimensions	
		mm	inch
L	Cut of length	≤ 11	≤ 0.443
L ₁	Lead end protrusion	≤ 1	≤ 0.039
H	Height to seating plane (straight leads)	≥ 18	≥ 0.709
H ₀	Height to seating plane (crimp leads)	16.0 ± 0.5	0.630 ± 0.020
H ₁	Top of Component height	≤ 32	≤ 1.26
Δh	Body inclination	0.0 ± 1.0	0 ± 0.039
W	Carrier tape width	18.0 + 1.0/- 0.5	0.709 + 0.039/- 0.02
W ₀	Hold down tape width	15.0 ref. (Note 2)	0.591 ref. (Note 2)
W ₁	Sprocket hole position	9 + 0.075/- 0.5	0.354 + 0.03/- 0.02
F	1e lead space (Note 3)	2.5 + 0.60/- 0.40	0.10 + 0.024/- 0.016
	2e lead space (Note 3)	5.0 + 0.60/- 0.40	0.20 + 0.024/- 0.016
P ₀	Sprocket hole pitch	12.7 ± 0.3	0.50 ± 0.012
P ₁	1e sprocket hole centre to lead centre	5.08 ± 0.7	0.20 ± 0.028
	2e sprocket hole centre to lead centre	3.85 ± 0.7	0.015 ± 0.028
D ₀	Sprocket hole diameter	4.0 ± 0.30	0.157 ± 0.012
t	Overall tape thickness	≤ 0.9	≤ 0.035
d	Wire lead diameter	0.50 ± 0.05	0.02 ± 0.002
P	Taping pitch	12.7 ref.	0.50 ref.

Note:

2. Tape width of 6 mm (0.236 inch) permissible.

3. e = 2.54 mm.



Multilayer Ceramic Dipped Axial and Radial Capacitors

For Automotive Applications (AEC-Q200 Approved)

Product Range

Mono-Axial C0G Dielectric

C	Tol. (%)	Lb Max (mm)	ØD Max (mm)	Clear Text Code without Lead configuration and Packaging ⁽¹⁾		
50 Vdc						
100 pF	5	3.81	2.54	A101J15C0GF□□□□V		
150 pF				A151J15C0GF□□□□V		
220 pF				A221J15C0GF□□□□V		
330 pF				A331J15C0GF□□□□V		
470 pF				A471J15C0GF□□□□V		
680 pF				A681J15C0GF□□□□V		
1000 pF				A102J15C0GF□□□□V		
1500 pF				A152J15C0GF□□□□V		
2200 pF				A222J15C0GF□□□□V		
3300 pF				A332J15C0GF□□□□V		
3900 pF				A392J15C0GF□□□□V		
4700 pF	5	5.08	3.05	A472J20C0GF□□□□V		
6800 pF				A682J20C0GF□□□□V		
0.01 µF				A103J20C0GF□□□□V		
100 Vdc						
100 pF	5	3.81	3.81	A101J15C0GH□□□□V		
150 pF				A151J15C0GH□□□□V		
220 pF				A221J15C0GH□□□□V		
330 pF				A331J15C0GH□□□□V		
470 pF				A471J15C0GH□□□□V		
680 pF				A681J15C0GH□□□□V		
1000 pF				A102J15C0GH□□□□V		
1500 pF		A152J15C0GH□□□□V				
1800 pF		A182J15C0GH□□□□V				
2200 pF		5.08	3.05	A222J20C0GH□□□□V		
3300 pF				A332J20C0GH□□□□V		
4700 pF				A472J20C0GH□□□□V		
6800 pF				A682J20C0GH□□□□V		
0.01 µF				A103J20C0GH□□□□V		
200 Vdc						
100 pF	5			3.81	2.54	A101J15C0GK□□□□V
150 pF		A151J15C0GK□□□□V				
220 pF		A221J15C0GK□□□□V				
330 pF		A331J15C0GK□□□□V				
470 pF		A471J15C0GK□□□□V				
680 pF		A681J15C0GK□□□□V				
1000 pF		A102J15C0GK□□□□V				

Note:

1.The four blank digits are filled with lead configuration and packaging, and please refer to ordering information

Multilayer Ceramic Dipped Axial and Radial Capacitors



For Automotive Applications (AEC-Q200 Approved)

Product Range

Mono-Axial X7R Dielectric

C	Tol. (%)	Lb Max (mm)	ØD Max (mm)	Clear Text Code without Lead configuration and Packaging ⁽¹⁾
50 Vdc				
470 pF	10	3.81	2.54	A471K15X7RF□□□□V
680 pF				A681K15X7RF□□□□V
1000 pF				A102K15X7RF□□□□V
1500 pF				A152K15X7RF□□□□V
2200 pF				A222K15X7RF□□□□V
3300 pF				A332K15X7RF□□□□V
4700 pF				A472K15X7RF□□□□V
6800 pF				A682K15X7RF□□□□V
0.010 µF				A103K15X7RF□□□□V
0.015 µF				A153K15X7RF□□□□V
0.022 µF				A223K15X7RF□□□□V
0.033 µF				A333K15X7RF□□□□V
0.047 µF				A473K15X7RF□□□□V
0.068 µF				A683K15X7RF□□□□V
0.10 µF				A104K15X7RF□□□□V
0.15 µF	A154K15X7RF□□□□V			
0.22 µF	10	5.08	3.05	A224K20X7RF□□□□V
0.33 µF				A334K20X7RF□□□□V
0.47 µF				A474K20X7RF□□□□V
0.68 µF		5.08	4.5 ⁽²⁾	A684K20X7RF□□□□V
1.0 µF		A105K20X7RF□□□□V		
100 Vdc				
470 pF	10	3.81	3.81	A471K15X7RH□□□□V
680 pF				A681K15X7RH□□□□V
1000 pF				A102K15X7RH□□□□V
1500 pF				A152K15X7RH□□□□V
2200 pF				A222K15X7RH□□□□V
3300 pF				A332K15X7RH□□□□V
4700 pF				A472K15X7RH□□□□V
6800 pF				A682K15X7RH□□□□V
0.010 µF				A103K15X7RH□□□□V
0.015 µF				A153K15X7RH□□□□V
0.022 µF				A223K15X7RH□□□□V
0.033 µF				A333K15X7RH□□□□V
0.047 µF				A473K15X7RH□□□□V
0.068 µF				A683K15X7RH□□□□V
0.10 µF				A104K15X7RH□□□□V

Note:

1. The four blank digits are filled with lead configuration and packaging, and please refer to ordering information
2. Inserted with 1210 chip

>>



Multilayer Ceramic Dipped Axial and Radial Capacitors

For Automotive Applications (AEC-Q200 Approved)

Product Range

Mono-Axial X7R Dielectric (continued)

C	Tol. (%)	Lb Max (mm)	ØD Max (mm)	Clear Text Code without Lead configuration and Packaging ⁽¹⁾
100 Vdc (continued)				
0.15 µF	10	5.08	3.05	A154K20X7RH□□□□V
0.22 µF				A224K20X7RH□□□□V
0.33 µF		5.08	4.5 ⁽²⁾	A334K20X7RH□□□□V
0.47 µF				A474K20X7RH□□□□V
200 Vdc				
330 pF	10	3.81	3.81	A331K15X7RK□□□□V
470 pF				A471K15X7RK□□□□V
680 pF				A681K15X7RK□□□□V
1000 pF				A102K15X7RK□□□□V
1500 pF				A152K15X7RK□□□□V
2200 pF				A222K15X7RK□□□□V
3300 pF				A332K15X7RK□□□□V
4700 pF				A472K15X7RK□□□□V
6800 pF				A682K15X7RK□□□□V
0.010 µF				A103K15X7RK□□□□V
0.015 µF		A153K15X7RK□□□□V		
0.022 µF		A223K15X7RK□□□□V		
0.033 µF		5.08	3.05	A333K20X7RK□□□□V
0.047 µF				A473K20X7RK□□□□V
0.068 µF				A683K20X7RK□□□□V
0.10 µF				A683K20X7RK□□□□V

Note:

1. The four blank digits are filled with lead configuration and packaging, and please refer to ordering information
2. Inserted with 1210 chip

Multilayer Ceramic Dipped Axial and Radial Capacitors



For Automotive Applications (AEC-Q200 Approved)

Product Range

Mono-Axial X8R Dielectric

C	Tol. (%)	Lb Max (mm)	ØD Max (mm)	Clear Text Code without Lead configuration and Packaging ⁽¹⁾
50 Vdc				
470 pF	10	3.81	2.54	A471K15X8RF□□□□V
680 pF				A681K15X8RF□□□□V
1000 pF				A102K15X8RF□□□□V
1500 pF				A152K15X8RF□□□□V
2200 pF				A152K15X8RF□□□□V
3300 pF				A332K15X8RF□□□□V
4700 pF				A472K15X8RF□□□□V
6800 pF				A682K15X8RF□□□□V
0.010 µF				A103K15X8RF□□□□V
0.015 µF				A153K15X8RF□□□□V
0.022 µF				A223K15X8RF□□□□V
0.033 µF				A333K15X8RF□□□□V
0.047 µF				A473K15X8RF□□□□V
0.056 µF				A563K15X8RF□□□□V
0.068 µF		5.08	3.05	A683K20X8RF□□□□V
0.10 µF				A104K20X8RF□□□□V
0.15 µF		5.08	4.5 ⁽²⁾	A154K20X8RF□□□□V
0.22 µF				A224K20X8RF□□□□V
0.33 µF				A334K20X8RF□□□□V

Note:

1. The four blank digits are filled with lead configuration and packaging, and please refer to ordering information
2. Inserted with 1210 chip



Multilayer Ceramic Dipped Axial and Radial Capacitors

For Automotive Applications (AEC-Q200 Approved)

Product Range

Mono-Kap C0G Dielectric

C	Tol. (%)	W _b Max (mm)	H Max (mm)	T Max (mm)	Clear Text Code without Lead configuration and Packaging ⁽¹⁾
50 Vdc					
100 pF	5	3.81	3.81	2.54	K101J15C0GF□□□□V
150 pF					K151J15C0GF□□□□V
220 pF					K221J15C0GF□□□□V
330 pF					K331J15C0GF□□□□V
470 pF					K471J15C0GF□□□□V
680 pF					K681J15C0GF□□□□V
1000 pF					K102J15C0GF□□□□V
1500 pF					K152J15C0GF□□□□V
2200 pF					K222J15C0GF□□□□V
3300 pF					K332J15C0GF□□□□V
3900 pF					K392J15C0GF□□□□V
4700 pF					K472J20C0GF□□□□V
6800 pF	5	5.08	5.08	3.18	K682J20C0GF□□□□V
0.01 μF					K103J20C0GF□□□□V
100 Vdc					
100 pF	5	3.81	3.81	2.54	K101J15C0GH□□□□V
150 pF					K151J15C0GH□□□□V
220 pF					K221J15C0GH□□□□V
330 pF					K331J15C0GH□□□□V
470 pF					K471J15C0GH□□□□V
680 pF					K681J15C0GH□□□□V
1000 pF					K102J15C0GH□□□□V
1500 pF					K152J15C0GH□□□□V
1800 pF					K182J15C0GH□□□□V
2200 pF					5.08
3300 pF		K332J20C0GH□□□□V			
4700 pF		K472J20C0GH□□□□V			
6800 pF		K682J20C0GH□□□□V			
0.01 μF		K103J20C0GH□□□□V			
200 Vdc					
100 pF	5	3.81	3.81	2.54	K101J15C0GK□□□□V
150 pF					K151J15C0GK□□□□V
220 pF					K221J15C0GK□□□□V
330 pF					K331J15C0GK□□□□V
470 pF					K471J15C0GK□□□□V
680 pF					K681J15C0GK□□□□V
1000 pF					K102J15C0GK□□□□V

Note: 1. The four blank digits are filled with lead configuration and packaging, and please refer to ordering information

Multilayer Ceramic Dipped Axial and Radial Capacitors



For Automotive Applications (AEC-Q200 Approved)

Product Range

Mono-Kap X7R Dielectric

C	Tol. (%)	W _b Max (mm)	H Max (mm)	T Max (mm)	Clear Text Code without Lead configuration and Packaging ⁽¹⁾
50 Vdc					
470 pF	10	3.81	3.81	2.54	K471K15X7RF□□□□V
680 pF					K681K15X7RF□□□□V
1000 pF					K102K15X7RF□□□□V
1500 pF					K152K15X7RF□□□□V
2200 pF					K222K15X7RF□□□□V
3300 pF					K332K15X7RF□□□□V
4700 pF					K472K15X7RF□□□□V
6800 pF					K682K15X7RF□□□□V
0.010 μF					K103K15X7RF□□□□V
0.015 μF					K153K15X7RF□□□□V
0.022 μF					K223K15X7RF□□□□V
0.033 μF					K333K15X7RF□□□□V
0.047 μF					K473K15X7RF□□□□V
0.068 μF					K683K15X7RF□□□□V
0.10 μF					K104K15X7RF□□□□V
0.15 μF	K154K15X7RF□□□□V				
0.22 μF	10	5.08	5.08	3.18	K224K20X7RF□□□□V
0.33 μF					K334K20X7RF□□□□V
0.47 μF					K474K20X7RF□□□□V
0.68 μF					K684K20X7RF□□□□V
1.0 μF					K105K20X7RF□□□□V
100 Vdc					
470 pF	10	3.81	3.81	2.54	K471K15X7RH□□□□V
680 pF					K681K15X7RH□□□□V
1000 pF					K102K15X7RH□□□□V
1500 pF					K152K15X7RH□□□□V
2200 pF					K222K15X7RH□□□□V
3300 pF					K332K15X7RH□□□□V
4700 pF					K472K15X7RH□□□□V
6800 pF					K682K15X7RH□□□□V
0.010 μF					K103K15X7RH□□□□V
0.015 μF					K153K15X7RH□□□□V
0.022 μF					K223K15X7RH□□□□V
0.033 μF					K333K15X7RH□□□□V
0.047 μF					K473K15X7RH□□□□V
0.068 μF					K683K15X7RH□□□□V
0.10 μF					K104K15X7RH□□□□V

Note:

1. The four blank digits are filled with lead configuration and packaging, and please refer to ordering information

>>



Multilayer Ceramic Dipped Axial and Radial Capacitors

For Automotive Applications (AEC-Q200 Approved)

Product Range

Mono-Kap X7R Dielectric (continued)

C	Tol. (%)	W _b Max (mm)	H Max (mm)	T Max (mm)	Clear Text Code without Lead configuration and Packaging ⁽¹⁾			
100 Vdc (continued)								
0.15 µF	10	5.08	5.08	3.18	K154K20X7RH□□□□V			
0.22 µF					K224K20X7RH□□□□V			
0.33 µF					K334K20X7RH□□□□V			
0.47 µF					K474K20X7RH□□□□V			
200 Vdc								
330 pF	10	3.81	3.81	2.54	K331K15X7RK□□□□V			
470 pF					K471K15X7RK□□□□V			
680 pF					K681K15X7RK□□□□V			
1000 pF					K102K15X7RK□□□□V			
1500 pF					K152K15X7RK□□□□V			
2200 pF					K222K15X7RK□□□□V			
3300 pF					K332K15X7RK□□□□V			
4700 pF					K472K15X7RK□□□□V			
6800 pF					K682K15X7RK□□□□V			
0.010 µF					K103K15X7RK□□□□V			
0.015 µF					K153K15X7RK□□□□V			
0.022 µF					K223K15X7RK□□□□V			
0.033 µF					5.08	5.08	3.18	K333K20X7RK□□□□V
0.047 µF								K473K20X7RK□□□□V
0.068 µF	K683K20X7RK□□□□V							
0.10 µF	K104K20X7RK□□□□V							

Note:

1. The four blank digits are filled with lead configuration and packaging, and please refer to ordering information

Multilayer Ceramic Dipped Axial and Radial Capacitors



For Automotive Applications (AEC-Q200 Approved)

Product Range

Mono-Axial X8R Dielectric

C	Tol. (%)	W _b Max (mm)	H Max (mm)	T Max (mm)	Clear Text Code without Lead configuration and Packaging ⁽¹⁾
50 Vdc					
470 pF	10	3.81	3.81	2.54	K471K15X8RF□□□□V
680 pF					K681K15X8RF□□□□V
1000 pF					K102K15X8RF□□□□V
1500 pF					K152K15X8RF□□□□V
2200 pF					K222K15X8RF□□□□V
3300 pF					K332K15X8RF□□□□V
4700 pF					K472K15X8RF□□□□V
6800 pF					K682K15X8RF□□□□V
0.010 μF					K103K15X8RF□□□□V
0.015 μF					K153K15X8RF□□□□V
0.022 μF					K223K15X8RF□□□□V
0.033 μF					K333K15X8RF□□□□V
0.047 μF					K473K15X8RF□□□□V
0.056 μF					K563K15X8RF□□□□V
0.068 μF	10	5.08	5.08	3.18	K683K20X8RF□□□□V
0.10 μF					K104K20X8RF□□□□V
0.15 μF					K154K20X8RF□□□□V
0.22 μF					K224K20X8RF□□□□V
0.33 μF					K334K20X8RF□□□□V

Note:

1. The four blank digits are filled with lead configuration and packaging, and please refer to ordering information



Multilayer Ceramic Dipped Axial and Radial Capacitors

For Automotive Applications (AEC-Q200 Approved)

Notes

Multilayer Ceramic Dipped Axial and Radial Capacitors

For Automotive Applications (AEC-Q200 Approved)



Notes

SEMICONDUCTORS:

Rectifiers • High-Power Diodes and Thyristors • Small-Signal Diodes • Zener and Suppressor Diodes
• FETs • Optoelectronics • ICs • Modules

PASSIVE COMPONENTS:

Resistive Products • Magnetics • Capacitors



One of the World's Largest Manufacturers of
Discrete Semiconductors and Passive Components

WORLDWIDE SALES CONTACTS

THE AMERICAS

UNITED STATES

VISHAY AMERICAS
ONE GREENWICH PLACE
SHELTON, CT 06484
UNITED STATES
PH: +1-402-563-6866
FAX: +1-402-563-6296

ASIA

SINGAPORE

VISHAY INTERTECHNOLOGY ASIA PTE LTD.
37A TAMPINES STREET 92 #07-00
SINGAPORE 528886
PH: +65-6788-6668
FAX: +65-6788-0988

P.R. CHINA

VISHAY CHINA CO., LTD.
15D, SUN TONG INFOPORT PLAZA
55 HUAI HAI WEST ROAD
SHANGHAI 200030
P.R. CHINA
PH: +86-21-5258 5000
FAX: +86-21-5258 7979

JAPAN

VISHAY JAPAN CO., LTD.
SHIBUYA PRESTIGE BLDG. 4F
3-12-22, SHIBUYA
SHIBUYA-KU
TOKYO 150-0002
JAPAN
PH: +81-3-5466-7150
FAX: +81-3-5466-7160

EUROPE

GERMANY

VISHAY ELECTRONIC GMBH
GEHEIMRAT-ROSENTHAL-STR. 100
95100 SELB
GERMANY
PH: +49-9287-71-0
FAX: +49-9287-70435

FRANCE

VISHAY S.A.
199, BLVD DE LA MADELEINE
06003 NICE, CEDEX 1
FRANCE
PH: +33-4-9337-2727
FAX: +33-4-9337-2726

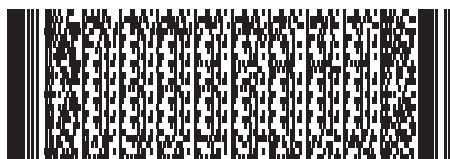
ISRAEL

VISHAY ISRAEL LTD.
7 HATNUFA STREET
PO BOX 10407
PETACH TIKVA 49002
ISRAEL

UNITED KINGDOM

VISHAY LTD.
SUITE 6C, TOWER HOUSE
ST. CATHERINE'S COURT
SUNDERLAND ENTERPRISE PARK
SUNDERLAND SR5 3XJ
UNITED KINGDOM
PH: +44-191-516-8584
FAX: +44-191-549-9556

Build **Vishay**
into your **Design**



www.vishay.com

VMN-SG2148-1008