

### High Voltage Ceramic Capacitors For Surface Mounting 1 to 5 kVDC



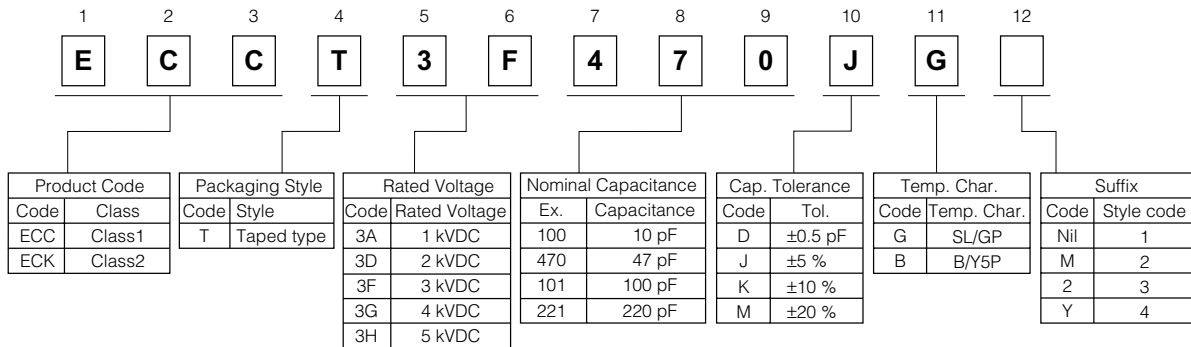
#### ■ Features

- Resin molded SMD type for reflow solderings
- High reliability through use of disc capacitor element
- Wide rated voltage ranges from 1 kV to 5 kV, through a disc element which withstand high voltage and outcurve terminals
- Wide rated voltage range 1 to 5 kV

#### ■ Recommended Application

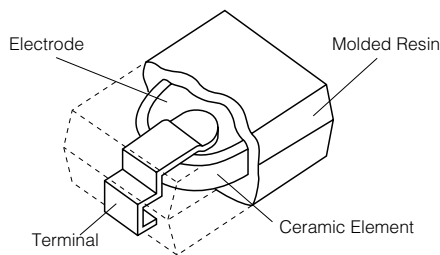
- Ballast circuit of LCD backlighting inverter (For 3 to 5 kVDC Char.SL/GP)
- Snubber circuit of switching power supply (For 1 to 2 kVDC Char.B/Y5P)

#### ■ Explanation of Part Numbers

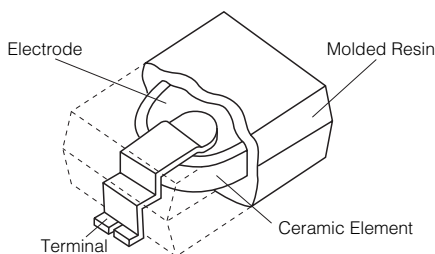


#### ■ Construction

- Inside Terminal

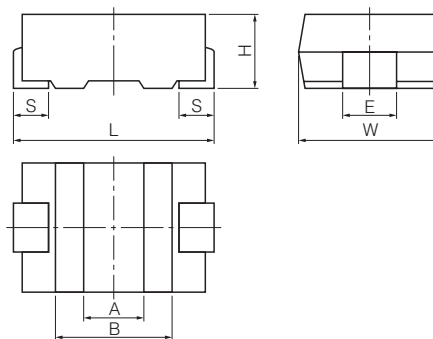


- Outside Terminal

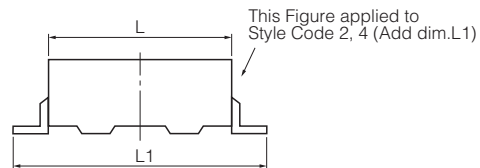


#### ■ Dimensions in mm (not to scale)

- style 1, 3



- style 2, 4



Symbol	L1	L	W	H	S	E	A	B
Style 1	—	7.1±0.5	6.3±0.3	2.5±0.3	1.45±0.30	2.5±0.2	(2.0)	(3.7)
Style 2	10.8±0.5	6.8±0.5	6.3±0.3	2.5±0.3	—	2.5±0.2	(2.0)	(3.7)
Style 3	—	5.7±0.5	4.5±0.3	2.3max.	0.85±0.30	2.5±0.2	(1.7)	(3.1)
Style 4	9.4±0.3	5.5±0.5	4.5±0.3	2.3±0.2	—	2.5±0.2	(1.7)	(3.1)

Design and specifications are each subject to change without notice. Ask factory for the current technical specifications before purchase and/or use. Should a safety concern arise regarding this product, please be sure to contact us immediately.

### Specifications

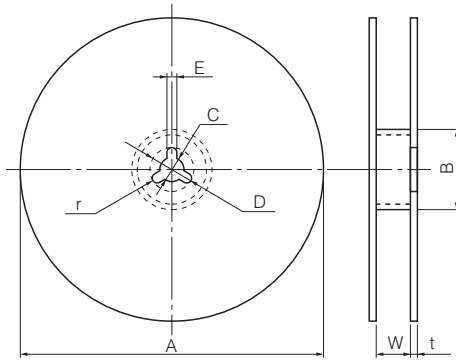
Characteristics	Char. SL/GP			Char. B/Y5P
Operating Temperature Range	-25 to 105 °C			
Rated Voltage	2 to 3 kVDC	4 to 5 kVDC	5 kVDC	1 to 2 kVDC
Dielectric Withstanding Voltage	200 % of Rated Voltage for 1 to 5 seconds	150 % of Rated Voltage for 1 to 5 seconds	120 % of Rated Voltage for 1 to 5 seconds	200 % of Rated Voltage for 1 to 5 seconds
Capacitance	Within the specified tolerance, when measured at 1 MHz±20 %, 1 to 5 Vrms. and 20 °C			Within the specified tolerance, when measured at 1 kHz±20 %, 1 to 5 Vrms. and 20 °C
Q or Dissipation Factor (tan δ)	30 pF or under Q ≥ 400+20 C (C:Cap.pF) over 30 pF Q ≥ 1000 at 1 MHz±20 %, 1 to 5 Vrms. and 20 °C			tan δ ≤ 0.025 at 1 kHz±20 %, 1 to 5 Vrms. and 20 °C
Insulation Resistance	10000 M Ω min. at 500 VDC and 1 minute electrification			
Temperature Characteristics	Temperature Coefficient: +350 to -1000 ppm/°C (Temperature Range : 20 to 85 °C)			Max. Cap. Change:±10 % (Temperature Range : -25 to 85 °C)

### Packaging Methods (Taping)

#### Minimum Quantity/Packing Unit

Type	Packaging Style	Part Number	Minimum Packing Quantity	Packing Quantity in Carton	Carton Dimensions in mm LxWxH	
1 to 5 kVDC (style 1)	Embossed Carrier Taping	EC□T3□□□□□□□□	5 to 470 pF	2000 pcs./reel	6000 pcs.	350×350×62
5 kVDC (style 2)	Embossed Carrier Taping	ECCT3H□□□□□□M	5 to 27 pF	2000 pcs./reel	4000 pcs.	350×350×62
4 kVDC (style 3)	Embossed Carrier Taping	ECCT3G□□□□JG2	10 to 27 pF	3000 pcs./reel	9000 pcs.	350×350×62
5 kVDC (style 4)	Embossed Carrier Taping	ECCT3H□□□□□□Y	5 to 15 pF	3000 pcs./reel	6000 pcs.	350×350×62

#### Reel

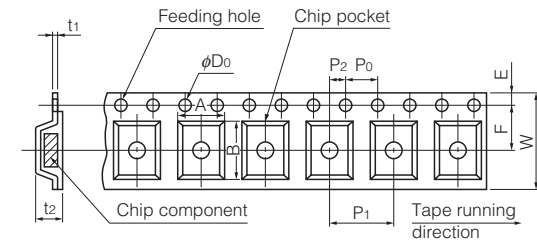


Symbol		A	B	C	D	E	W	t	r
Dim. (mm)	style 1, 3	330±5	60 min.	13.0±0.5	21.0±1.0	2.0±0.5	13.5±1.5	2.0±0.5	R1.0
	style 2						25.5±1.5		
	style 4						17.5±1.5		

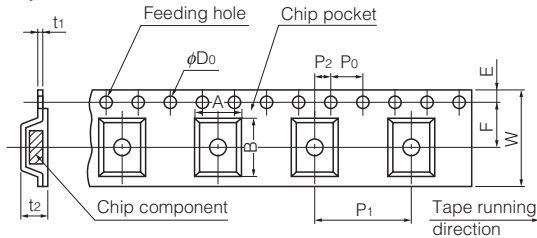
#### Embossed Carrier Taping

style 1, 3, 4

(W=12 mm)



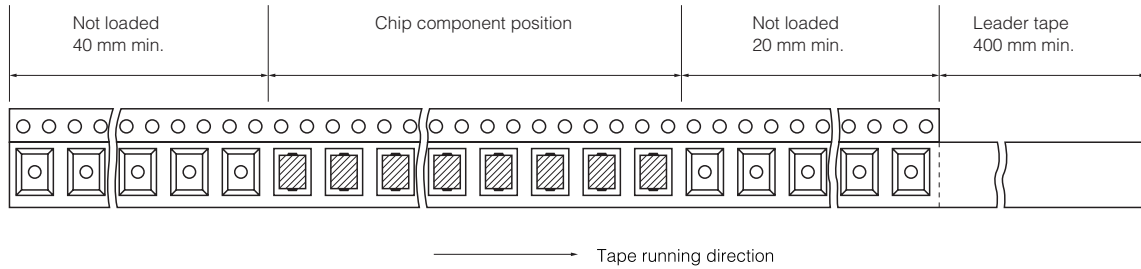
style 2



Symbol		A	B	W	F	E	P1	P2	P0	φD0	t1	t2
Dim. (mm)	style1	6.5 ±0.2	7.5 ±0.2	12.0 ±0.3	5.5 ±0.1	1.75 ±0.10	8.0 ±0.1	2.0 ±0.1	4.0 ±0.1	1.5 +0.1 -0	0.3 ±0.1	3.2 ±0.3
	style2	6.65 ±0.20	11.2 ±0.2	24.0 ±0.3	11.5 ±0.1	1.75 ±0.10	12.0 ±0.1	2.0 ±0.1	4.0 ±0.1	1.5 +0.1 -0	0.3 ±0.1	3.2 ±0.3
	style3	4.8 ±0.2	6.0 ±0.2	12.0 ±0.3	5.5 ±0.1	1.75 ±0.10	8.0 ±0.1	2.0 ±0.1	4.0 ±0.1	1.5 +0.1 -0	0.3 ±0.1	2.8 ±0.3
	style4	4.7 ±0.2	10.0 ±0.5	16.0 ±0.3	7.5 ±0.1	1.75 ±0.10	8.0 ±0.1	2.0 ±0.1	4.0 ±0.1	1.5 +0.1 -0	0.3 ±0.1	2.85 ±0.30

Design and specifications are each subject to change without notice. Ask factory for the current technical specifications before purchase and/or use. Should a safety concern arise regarding this product, please be sure to contact us immediately.

### ● Leader Part and Taped End



### ■ Ratings and Characteristics

#### ● Rated Voltage 1 to 5 kVDC

Rated Voltage	Part Number	Capacitance (pF)	Cap. Tolerance (%)	Temp. Char	Style	
5 kVDC	ECCT3H050DGM	5	±0.5 pF	SL/GP	Style 2	
	ECCT3H100JGM	10	±5	SL/GP		
	ECCT3H120JGM	12	±5	SL/GP		
	ECCT3H150JGM	15	±5	SL/GP		
	ECCT3H180JGM	18	±5	SL/GP		
	ECCT3H220JGM	22	±5	SL/GP		
	ECCT3H270JGM	27	±5	SL/GP	Style 4	
	ECCT3H050DGY	5	±0.5 pF	SL/GP		
	ECCT3H080DGY	8	±0.5 pF	SL/GP		
	ECCT3H100JGY	10	±5	SL/GP		
4 kVDC	ECCT3H120JGY	12	±5	SL/GP	Style 3	
	ECCT3H150JGY	15	±5	SL/GP		
	ECCT3G100DG2	10	±0.5 pF	SL/GP	Style 3	
	ECCT3G120JG2	12	±5	SL/GP		
	ECCT3G150JG2	15	±5	SL/GP		
	ECCT3G180JG2	18	±5	SL/GP		
	ECCT3G220JG2	22	±5	SL/GP		
	ECCT3G270JG2	27	±5	SL/GP		
	3 kVDC	ECCT3G330JG	33	±5	SL/GP	Style 1
		ECCT3G390JG	39	±5	SL/GP	
ECCT3G470JG		47	±5	SL/GP	Style 3	
ECCT3F100DG2		10	±0.5 pF	SL/GP		
ECCT3F120JG2		12	±5	SL/GP		
ECCT3F150JG2		15	±5	SL/GP		
ECCT3F180JG2		18	±5	SL/GP		
ECCT3F220JG2		22	±5	SL/GP		
2 kVDC	ECCT3F270JG2	27	±5	SL/GP	Style 1	
	ECCT3F330JG2	33	±5	SL/GP		
	ECCT3F390JG	39	±5	SL/GP	Style 1	
	ECCT3F470JG	47	±5	SL/GP		
	ECCT3F560JG	56	±5	SL/GP		
	ECCT3D680JG	68	±5	SL/GP		
	ECKT3D101KB	100	±10	B/Y5P		
	ECKT3D121KB	120	±10	B/Y5P		
1 kVDC	ECKT3D151KB	150	±10	B/Y5P	Style 1	
	ECKT3D181KB	180	±10	B/Y5P		
1 kVDC	ECKT3D221KB	220	±10	B/Y5P	Style 1	
	ECKT3D271KB	270	±10	B/Y5P		
	ECKT3D331KB	330	±10	B/Y5P		
	ECKT3A391KB	390	±10	B/Y5P		
	ECKT3A471KB	470	±10	B/Y5P		

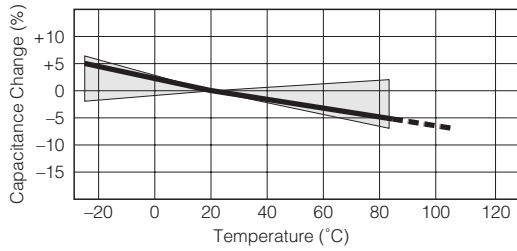
Notes \* This part number indicates taped type.

\* Capacitance 9 pF or under is available by special order.

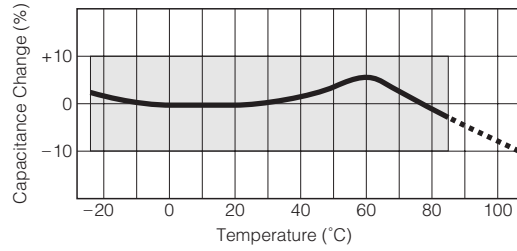
Design and specifications are each subject to change without notice. Ask factory for the current technical specifications before purchase and/or use. Should a safety concern arise regarding this product, please be sure to contact us immediately.

- Typical Characteristics
- Temperature Characteristics

Char. SL/GP  
(Temp.Coeff.:+350 to -1000 ppm/°C)

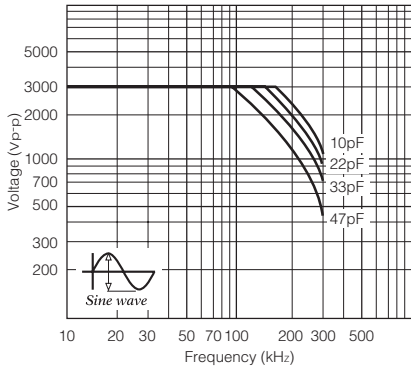


Char. B/Y5P  
(Temp.Range:-25 to 85 °C)  
(max.Cap.Change:±10 %)

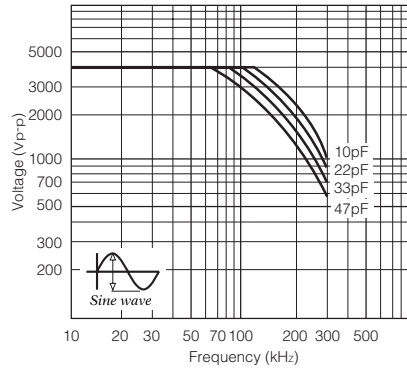


- Characteristics of Voltage-Frequency

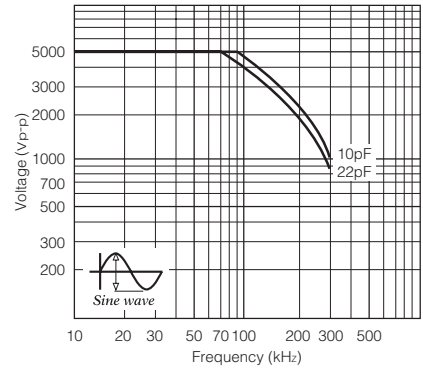
Rated Voltage 3 kVDC



Rated Voltage 4 kVDC

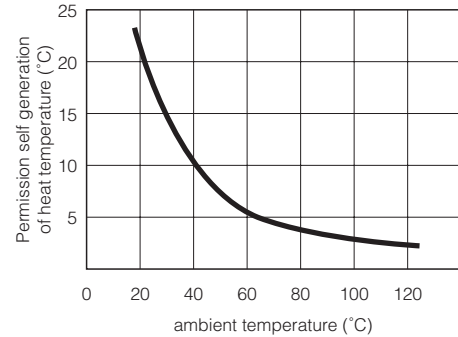


Rated Voltage 5 kVDC

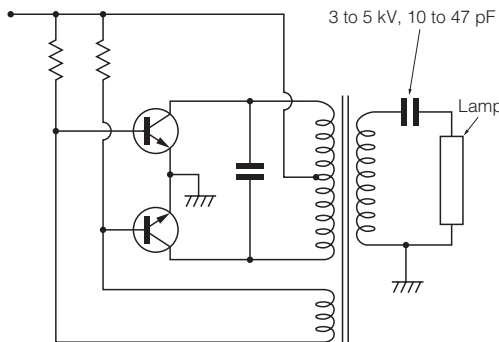


The graphs above show the maximum permissible voltage when using a capacitor with an AC sine wave voltage. When measuring this voltage in room temperature (25 °C), the capacitor self-heat generation will rise a maximum of 20 °C. When using a pulse voltage or an AC voltage other than a sine wave, confirm that the capacitor self-heat generation is less than 20 °C in an ambient room temperature of 25 °C. The self-heat generation temperature is the difference between the surface temperature and the ambient room temperature. As for the situation when the self-heat generation temperature is more than 25 °C, refer to the figure on the right.

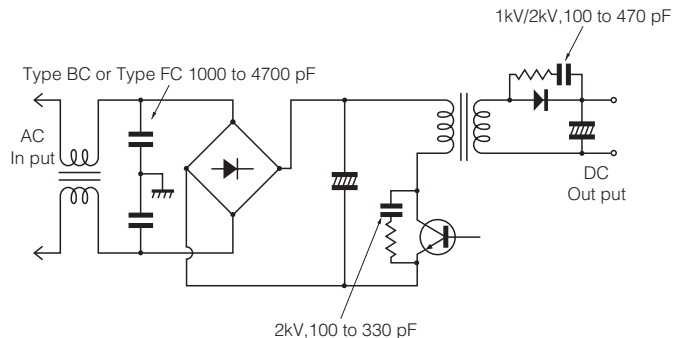
Permission self generation of heat temperature vs. ambient temperature



- Application Examples
- LCD Backlighting Inverter



- Primary circuit and Snubber circuit of Switching Power Supply



Design and specifications are each subject to change without notice. Ask factory for the current technical specifications before purchase and/or use. Should a safety concern arise regarding this product, please be sure to contact us immediately.