

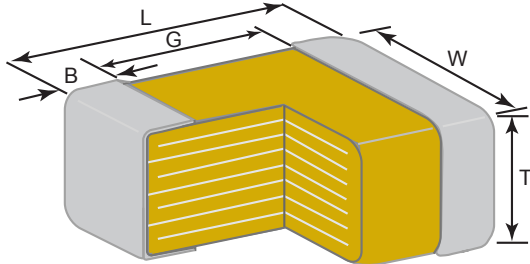
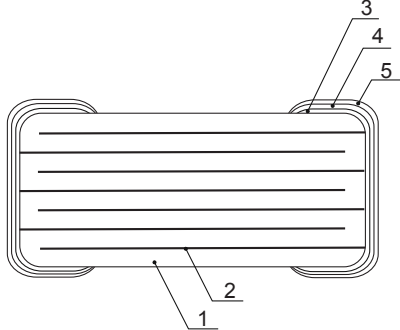
TDK MLCC Datasheet¹

TDK P/N **C3216** **X5R** **0J** **476** **M** **T** **XXXX**

1) 2) 3) 4) 5) 6) 7)

No.	Segment	Detail	Comments
1	Case Size	3.2 x 1.6 mm	See below for dimensions.
2	Temperature Characteristics	-55+85°C ± 15%	Class II ; Conforms to EIA 198
3	Rated Voltage	6.3 V	DC
4	Capacitance	47000000 pF	0.5 ± 0.2 Vrms , 120Hz ± 20%
5	Capacitance Tolerance	±20%	Conforms to IEC 384-9
6	Packaging Style	Tape and Reel	EIA 481 Format
7	TDK internal Code	XXXX	(Internal TDK use only)
-	Dissipation Factor (DF)	0.15 max.	0.5 ± 0.2 Vrms , 120Hz ± 20%
-	Insulation Resistance	2.1 MΩ min.	apply rated voltage for 60s

Condition for life : Apply rated voltage at maximum operating temperature +/-2C for 1,000+48, 0h.

Physical Dimensions		Material System					
							
Symbol	Dimensions (mm)	No.	Name	Material			
L	3.2+0.3/-0.1	1	Dielectric	Class I		Class II	
W	1.6+0.3/-0.1			Pd	TME	Pd	TME
T	1.9 mm max.	2	Electrode	TiO2	CaZrO3	BaTiO3	
B	0.2 min.			Pd	Ni	Pd	Ni
G	1.0 min.	3	Termination	Ag or Ag/Pd	Cu	Ag or Ag/Pd	Cu
				Ni			
				Sn			

¹ This datasheet gives a basic overview of the multilayer ceramic capacitor as defined in the above TDK part number. A full specification (including part number construction, available capacitance ranges, packaging and caution notes) is available upon request. The information above is subject to change by TDK without any notice.