

Mid-high Voltage Ceramic Capacitors

Disk type with lead

Low dissipation at high frequency

General use

CC45 series

Issue date: January 2011

- All specifications are subject to change without notice.
- Conformity to RoHS Directive: This means that, in conformity with EU Directive 2002/95/EC, lead, cadmium, mercury, hexavalent chromium, and specific bromine-based flame retardants, PBB and PBDE, have not been used, except for exempted applications.

Mid-high Voltage Ceramic Capacitors(Disk with Lead) Low Dissipation at High Frequency CC45 Series

Conformity to RoHS Directive

FEATURES

- High voltage ceramic capacitors series (for temperature compensation), low dissipation factor and higher reliability has been achieved through the use of TDK original dielectric and copper for electrode material due to nice matching of the ceramic dielectrics material for low dissipation factor, and copper for electrode.
- Low dissipation factor, and decreased self-heating temperature in the high frequency, and high voltage application.
- The rated voltage of 6kV series have been added the rated voltage of 3kV series.
- These products shall conform to RoHS Directive due to lead(Pb) free of lead wire and internal solder material.

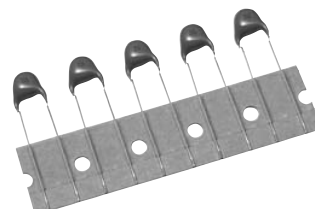
OPERATING TEMPERATURE RANGE: -25 to +125°C

(The maximum operating temperature of 125°C includes capacitor self-generated heat of up to 20°C.)

PRODUCT IDENTIFICATION

CC 45 SL 3AD 101 J Y N N
(1) (2) (3) (4) (5) (6) (7) (8) (9)

- (1) Type
- (2) Shape
- (3) Capacitance temperature characteristics
- (4) Rated voltage
- (5) Nominal capacitance
- (6) Capacitance tolerance
- (7) Class
- (8) Lead type
- (9) General use



CAPACITANCE TEMPERATURE CHARACTERISTICS AND TOLERANCE

Temperature characteristics	Test temperature range	Capacitance tolerance
SL(+350 to -1000ppm/°C)	+20 to +85°C	C(±0.25pF) D(±0.5pF) J(±5%)

CAPACITANCE AND DIMENSIONS

TEMPERATURE CHARACTERISTICS: SL(+350 to -1000ppm/°C)

RATED VOLTAGE Edc: 1kV

Part No.	Capacitance (pF)	Dimensions (mm)			Taping dimensions
		D max.	T max.	F	
CC45SL3AD100JY□*N to CC45SL3AD680JY□N	10 to 68	5.5	5	5±1.5	V1
CC45SL3AD820JY□N	82	6	5	5±1.5	V1
CC45SL3AD101JY□N	100	6.5	5	5±1.5	V1
CC45SL3AD121JY□N	120	7	5	5±1.5	V1
CC45SL3AD151JY□N	150	7.5	5	5±1.5	V1
CC45SL3AD181JY□N	180	8	5	5±1.5	V1
CC45SL3AD221JY□N	220	8.5	5	5±1.5	V1
CC45SL3AD271JY□N	270	9	5	5±1.5	V1
CC45SL3AD331JY□N	330	10	5	5±1.5	V1
CC45SL3AD391JY□N	390	10.5	5	5±1.5	V1
CC45SL3AD471JY□N	470	11.5	5	7.5±1.5	V2
CC45SL3AD561JY□N	560	12.5	5	7.5±1.5	V2
CC45SL3AD681JY□N	680	13.5	5	7.5±1.5	V2
CC45SL3AD821JY□N	820	14.5	5	7.5±1.5	—
CC45SL3AD102JY□N	1,000	16	5	10±2	—

* □ : Lead shape symbol

- Conformity to RoHS Directive: This means that, in conformity with EU Directive 2002/95/EC, lead, cadmium, mercury, hexavalent chromium, and specific bromine-based flame retardants, PBB and PBDE, have not been used, except for exempted applications.

- All specifications are subject to change without notice.

RATED VOLTAGE Edc: 2kV

Part No.	Capacitance (pF)	Dimensions (mm)			Taping dimensions
		D max.	T max.	F	
CC45SL3DD100JY□*N to CC45SL3DD470JY□N	10 to 47	5.5	5	5±1.5	V1
CC45SL3DD560JY□N	56	6	5	5±1.5	V1
CC45SL3DD680JY□N	68	6.5	5	5±1.5	V1
CC45SL3DD820JY□N	82	7	5	5±1.5	V1
CC45SL3DD101JY□N	100	7.5	5	5±1.5	V1
CC45SL3DD121JY□N	120	8	5	5±1.5	V1
CC45SL3DD151JY□N	150	8.5	5	5±1.5	V1
CC45SL3DD181JY□N	180	9	5	5±1.5	V1
CC45SL3DD221JY□N	220	10	5	5±1.5	V1
CC45SL3DD271JY□N	270	11	5	7.5±1.5	V2
CC45SL3DD331JY□N	330	11.5	5	7.5±1.5	V2
CC45SL3DD391JY□N	390	12.5	5	7.5±1.5	V2
CC45SL3DD471JY□N	470	13.5	5	7.5±1.5	V2
CC45SL3DD561JY□N	560	14.5	5	7.5±1.5	V3
CC45SL3DD681JY□N	680	16	5	10±2	—

* □ : Lead shape symbol

RATED VOLTAGE Edc: 3kV

Part No.	Capacitance (pF)	Dimensions (mm)			Taping dimensions
		D max.	T max.	F	
CC45SL3FD100JY□*N to CC45SL3FD270JY□N	10 to 27	5.5	6	7.5±1.5	V2
CC45SL3FD330JY□N	33	6	6	7.5±1.5	V2
CC45SL3FD390JY□N	39	6	6	7.5±1.5	V2
CC45SL3FD470JY□N	47	6.5	6	7.5±1.5	V2
CC45SL3FD560JY□N	56	7	6	7.5±1.5	V2
CC45SL3FD680JY□N	68	7.5	6	7.5±1.5	V2
CC45SL3FD820JY□N	82	8	6	7.5±1.5	V2
CC45SL3FD101JY□N	100	8.5	6	7.5±1.5	V2
CC45SL3FD121JY□N	120	9.5	6	7.5±1.5	V2
CC45SL3FD151JY□N	150	10	6	7.5±1.5	V2
CC45SL3FD181JY□N	180	11	6	7.5±1.5	V2
CC45SL3FD221JY□N	220	12	6	7.5±1.5	V2
CC45SL3FD271JY□N	270	13	6	7.5±1.5	V2
CC45SL3FD331JY□N	330	14	6	7.5±1.5	V3
CC45SL3FD391JY□N	390	15	6	7.5±1.5	—
CC45SL3FD471JY□N	470	16	6	10±2	—

* □ : Lead shape symbol

RATED VOLTAGE Edc: 6kV

Part No.	Capacitance (pF)	Dimensions (mm)			Taping dimensions
		D max.	T max.	F	
CC45SL3JD030CY□*N	3	7.5	6	7.5±1.5	V2
CC45SL3JD050DY□N	5	7.5	6	7.5±1.5	V2
CC45SL3JD080DY□N	8	7.5	6	7.5±1.5	V2
CC45SL3JD100JY□N	10	7.5	6	7.5±1.5	V2
CC45SL3JD120JY□N	12	7.5	6	7.5±1.5	V2
CC45SL3JD150JY□N	15	7.5	6	7.5±1.5	V2
CC45SL3JD180JY□N	18	7.5	6	7.5±1.5	V2
CC45SL3JD220JY□N	22	7.5	6	7.5±1.5	V2
CC45SL3JD270JY□N	27	7.5	6	7.5±1.5	V2
CC45SL3JD330JY□N	33	7.5	6	7.5±1.5	V2
CC45SL3JD390JY□N	39	8	6	7.5±1.5	V2
CC45SL3JD470JY□N	47	8.5	6	7.5±1.5	V2

* □ : Lead shape symbol

LIST OF STANDARD LEAD SHAPES

The lead type is indicated by the second-to-last character of the product name (15th character from the left) using its symbol (letter).

Example) TDK Product Name: **CC45SL3AD101JYNN**

└N: Lead type (Vertical kink, Short)

Dimensions in mm

	Long lead Symbol G	Short lead Symbol N	Taping Symbol V
Vertical kink			
Straight			

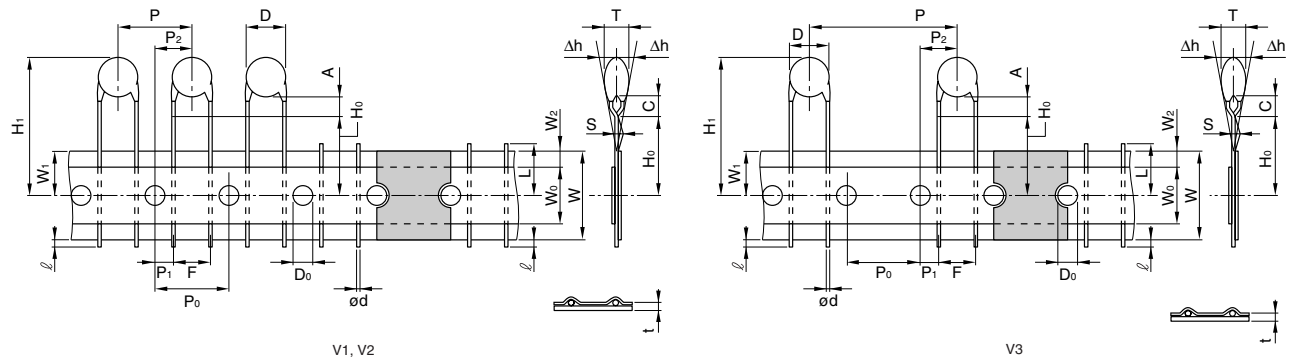
- We recommend using a vertical kink type.
- For bulk products, we recommend a short lead type with the symbol N.

• For more information about products with other capacitance or other data, please contact us.

• All specifications are subject to change without notice.

TAPING DIMENSIONS

VERTICAL KINK LEAD TYPE



Item	Symbol	Dimensions(mm)			Remarks
		V1	V2	V3	
Body diameter	D	Depends on the specification of each product.			
Body thickness	T	Depends on the specification of each product.			
Lead-wire diameter	ød	0.6±0.05	0.6±0.05	0.6±0.05	
Pitch of component	P	12.7±1.0	15.0±1.0	30.0±1.0	Including the slant of body
Feed hole pitch	P ₀	12.7±0.3	15.0±0.3	15.0±0.3	Excepting the tape splicing part
Feed hole center to lead	P ₁	3.85±0.7	3.75±0.7	3.75±0.7	
Feed hole center to component center	P ₂	6.35±1.3	7.5±1.3	7.5±1.3	Including the slanting body due to bending lead-wire
Lead-to lead distance	F	5+0.8, -0.2	7.5±0.8	7.5±0.8	Measuring point is bottom kink
Component alignment, F-R	Δh	0±2.0	0±2.0	0±2.0	Including the slanting body due to bending lead-wire
Tape width	W	18.0+1.0, -0.5	18.0+1.0, -0.5	18.0+1.0, -0.5	
Adhesive tape width	W ₀	11.5min.	11.5min.	11.5min.	
Hole position	W ₁	9.0±0.5	9.0±0.5	9.0±0.5	
Adhesive tape position	W ₂	3.0max.	3.0max.	3.0max.	Adhesive tape do not stick out the tape
Bottom of kink from tape center	H ₀	16.0+1.5, -0.5	16.0+1.5, -0.5	16.0+1.5, -0.5	
Height of body from tape center	H ₁	46.0max.	46.0max.	46.0max.	
Lead-wire protrusion	ℓ	1.0max.	1.0max.	1.0max.	
Feed hole diameter	D ₀	4.0±0.2	4.0±0.2	4.0±0.2	
Total tape tickness	t	0.6±0.3	0.6±0.3	0.6±0.3	Including adhesive tape
Length of snapped lead	L	11.0max.	11.0max.	11.0max.	
Coating on lead	C	4.0max.	4.0max.	4.0max.	
Height of kink	A	4.0max.	4.0max.	4.0max.	Measuring point is bottom kink
Spring action	S	2.0max.	2.0max.	2.0max.	

• All specifications are subject to change without notice.