

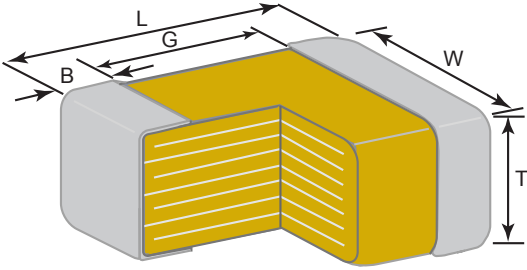
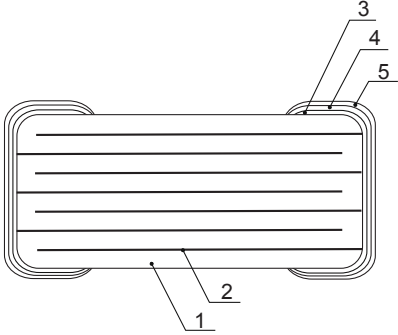
TDK MLCC Datasheet¹

TDK P/N **C2012** **X5R** **0J** **226** **M** **T** **XXXX**

1) 2) 3) 4) 5) 6) 7)

No.	Segment	Detail	Comments
1	Case Size	2.0 x 1.25 mm	See below for dimensions.
2	Temperature Characteristics	-55+85 C ±15%	Class II ; Conforms to EIA 198
3	Rated Voltage	6.3V	DC
4	Capacitance	22,000,000 pF	0.5 ± 0.2 Vrms , 120Hz ± 20%
5	Capacitance Tolerance	± 20%	Conforms to IEC 384-9
6	Packaging Style	Tape and Reel, 8 mm	EIA 481 Format
7	TDK internal Code	XXXX	(Internal TDK use only)
-	Dissipation Factor (DF)	0.15 max.	0.5 ± 0.2 Vrms , 120Hz ± 20%
-	Insulation Resistance	4.5 MΩ min.	apply rated voltage for 60s

Condition for life : Apply rated voltage at maximum operating temperature +/-2C for 1,000+48, 0h.

Physical Dimensions		Material System			
					
Symbol	Dimensions (mm)	Material			
L	2.00 ± 0.2	Class I		Class II	
W	1.25 ± 0.2	Pd	TME	Pd	TME
T	1.25 ± 0.2	TiO2	CaZrO3	BaTiO3	
B	0.2 min.	Pd	Ni	Pd	Ni
G	0.5 min.	Ag or Ag/Pd	Cu	Ag or Ag/Pd	Cu
		Termination			
		Ni			
		Sn			

¹ This datasheet gives a basic overview of the multilayer ceramic capacitor as defined in the above TDK part number. A full specification (including part number construction, available capacitance ranges, packaging and caution notes) is available upon request. The information above is subject to change by TDK without any notice.