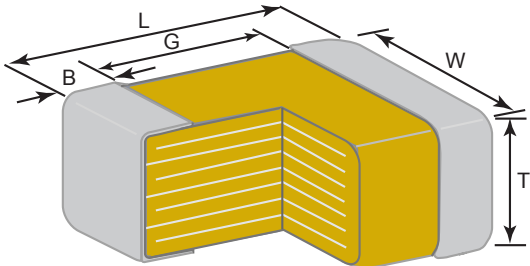
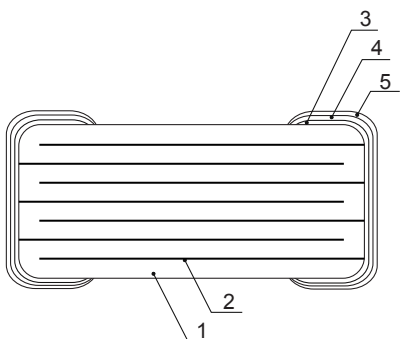


# TDK MLCC Datasheet<sup>1</sup>

TDK P/N C3216 Y5V 1C 475 Z T XXXX  
1)                      2)                      3)                      4)                      5)                      6)                      7)

No.	Segment	Detail	Comments
1	Case Size	3.2 x 1.6 mm	See below for dimensions.
2	Temperature Characteristics	-30 +85°C +22, -82%	Class III ; Conforms to EIA 198
3	Rated Voltage	16 V	DC
4	Capacitance	4,700,000 pF	1.0 ± 0.2 Vrms , 1kHz ± 10%
5	Capacitance Tolerance	+80%, -20%	Conforms to IEC 384-9
6	Packaging Style	Tape and Reel, 8 mm	EIA 481 Format
7	TDK internal Code	XXXX	(Internal TDK use only)
-	Dissipation Factor (DF)	8.5% max.	1.0 ± 0.2 Vrms , 1kHz ± 10%
-	Insulation Resistance	100 M min.	apply rated voltage for 60s

Physical Dimensions	Material System																																								
																																									
<table border="1" style="width: 100%; border-collapse: collapse;"> <thead> <tr> <th style="width: 15%;">Symbol</th> <th style="width: 85%;">Dimensions (mm)</th> </tr> </thead> <tbody> <tr> <td>L</td> <td>3.2 ± 0.2</td> </tr> <tr> <td>W</td> <td>1.6 ± 0.2</td> </tr> <tr> <td>T</td> <td>1.0 max.</td> </tr> <tr> <td>B</td> <td>0.4 min.</td> </tr> <tr> <td>G</td> <td>1.0 min.</td> </tr> </tbody> </table>	Symbol	Dimensions (mm)	L	3.2 ± 0.2	W	1.6 ± 0.2	T	1.0 max.	B	0.4 min.	G	1.0 min.	<table border="1" style="width: 100%; border-collapse: collapse;"> <thead> <tr> <th rowspan="2" style="width: 5%;">No.</th> <th rowspan="2" style="width: 15%;">Name</th> <th colspan="2" style="width: 80%;">Material</th> </tr> <tr> <th style="width: 40%;">Class I</th> <th style="width: 40%;">Class II &amp; III</th> </tr> </thead> <tbody> <tr> <td></td> <td></td> <td colspan="2" style="text-align: center;">TME</td> </tr> <tr> <td>1</td> <td>Dielectric</td> <td>CaZrO3</td> <td>BaTiO3</td> </tr> <tr> <td>2</td> <td>Electrode</td> <td colspan="2" style="text-align: center;">Ni</td> </tr> <tr> <td>3</td> <td rowspan="3" style="text-align: center;">Termination</td> <td colspan="2" style="text-align: center;">Cu</td> </tr> <tr> <td>4</td> <td colspan="2" style="text-align: center;">Ni</td> </tr> <tr> <td>5</td> <td colspan="2" style="text-align: center;">Sn</td> </tr> </tbody> </table>	No.	Name	Material		Class I	Class II & III			TME		1	Dielectric	CaZrO3	BaTiO3	2	Electrode	Ni		3	Termination	Cu		4	Ni		5	Sn	
Symbol	Dimensions (mm)																																								
L	3.2 ± 0.2																																								
W	1.6 ± 0.2																																								
T	1.0 max.																																								
B	0.4 min.																																								
G	1.0 min.																																								
No.	Name	Material																																							
		Class I	Class II & III																																						
		TME																																							
1	Dielectric	CaZrO3	BaTiO3																																						
2	Electrode	Ni																																							
3	Termination	Cu																																							
4		Ni																																							
5		Sn																																							

<sup>1</sup> This datasheet gives a basic overview of the multilayer ceramic capacitor as defined in the above TDK part number. A full specification (including part number construction, available capacitance ranges, packaging and caution notes) is available upon request. The information above is subject to change by TDK without any notice.