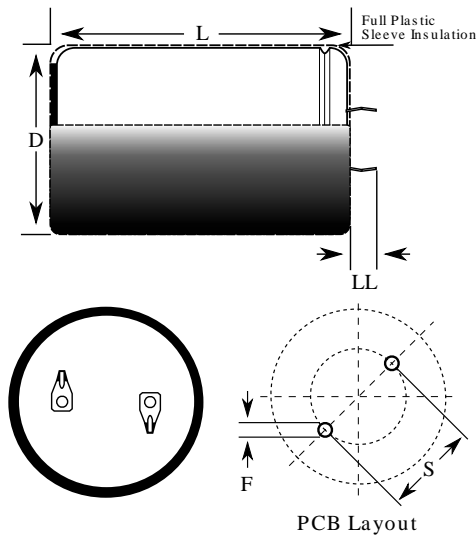


A521EM821M450A

aka ALC10A821DJ450

Capacitor, aluminum, 820 uF, +/-20% Tol, -40/+85C, 450V@85C



Dimensions (mm)

ID	Dimension	Tolerance
D	35	+1/-0
L	70	+/-2
S	10	+/-0.1
LL	6.3	+/-1
F	2	+/-0.1

Specifications

Manufacturer:	KEMET
Capacitance:	820 uF
Rated Temperature:	85C
Voltage @ rated temp:	450V
VDC Surge:	495WVDC
Life @ rated temp:	15000 h
Temperature Range:	-40/+85C
RoHS:	Yes
Tolerance:	+/-20%
Part Type Description:	Radial Cylindrical Aluminum Electrolytic
Style:	Snap-in
Lead Type:	Hooked Terminals
Lead Form:	Standard Pin
Lead Specification:	2pin
Leakage Current:	2.214 mA
Leakage Condition:	5min/20c
Miscellaneous Electrical:	series (ALC10)
Package Kind:	Bulk