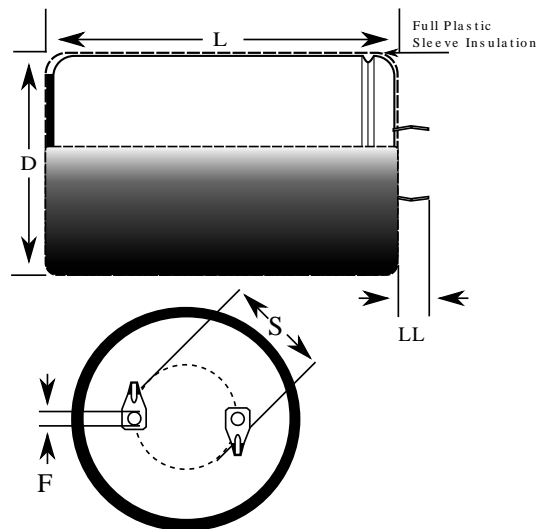


A561DE221M400A

aka PEH534VCD3220M2

Capacitor, aluminum, 220 uF, 20% Tol, 400V@85C



Dimensions (mm)

ID	Dimension	Tolerance
S	10	+/-0.1
LL	6.3	+/-1
L	35	+/-2
D	30	+1/-0
F	2	+/-0.1

Specifications

RoHS:	Yes
Temperature Range:	-40/+105C
Capacitance:	220 uF
Tolerance:	20%
Voltage DC @ 85C:	400V
Voltage DC @ 105C:	400V
Operational Lifetime @ 65C:	4000 h
Operational Lifetime @ 85C:	4000 h
Operational Lifetime @ 105C:	4000 h
Package Quantity:	100
Packaging:	Bulk
ESR at 100KHz at room temp:	270 mOhm