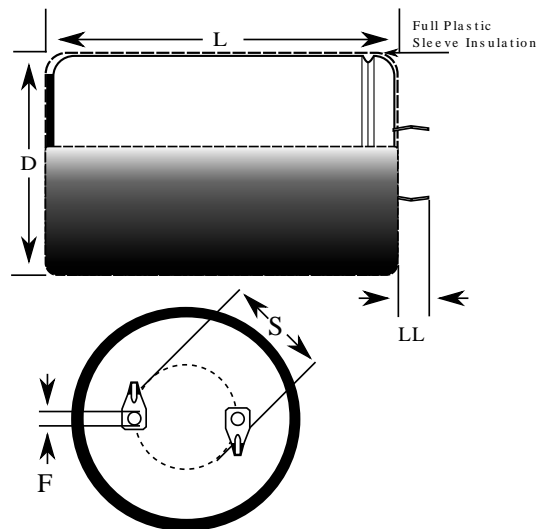


# A561EC151M450A

aka PEH534YDB3150M2

Capacitor, aluminum, 150 uF, 20% Tol, 450V@85C



## Dimensions (mm)

ID	Dimension	Tolerance
S	10	+/-0.1
LL	6.3	+/-1
L	25	+/-2
D	35	+1/-0
F	2	+/-0.1

## Specifications

RoHS:	Yes
Temperature Range:	-40/+105C
Capacitance:	150 uF
Tolerance:	20%
Voltage DC @ 85C:	450V
Voltage DC @ 105C:	450V
Operational Lifetime @ 65C:	4000 h
Operational Lifetime @ 85C:	4000 h
Operational Lifetime @ 105C:	4000 h
Package Quantity:	200
Packaging:	Bulk
ESR at 100KHz at room temp:	330 mOhm