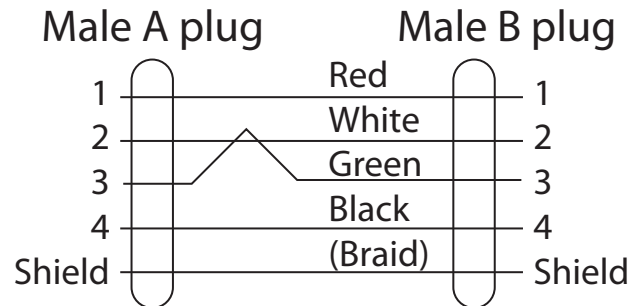


USB Configuration



Material:

- Cable: #28x1P+#24x2C+AL/MY+1+Braid , UL2725
- ø4.7MM
- Black PVC
- P1 Connector: USB Male A plug
- P2 Connector: USB Male B plug
- Molded Type

Electrical:

- •100% Short, Open, Miswire Test

⊕ = Assmann logo



ITEM NO.

AK672/2-3-BLACK-R

TITLE

USB 2.0 Cable - 30μ" Gold, 3 Meters
Male A <=> Male B, Black

ASSMANN

Electronics, Inc.

1840 W. Drake Drive, Suite 101 • Tempe, AZ 85283
Toll Free: 1-877-277-6266 • Email: info@usa-assmann.com

THIS DRAWING IS UNPUBLISHED
©Copyright 2010 by Assmann Electronic Components
All International Rights Reserved