

10 9 8 7 6 5 4 3 2 1

F

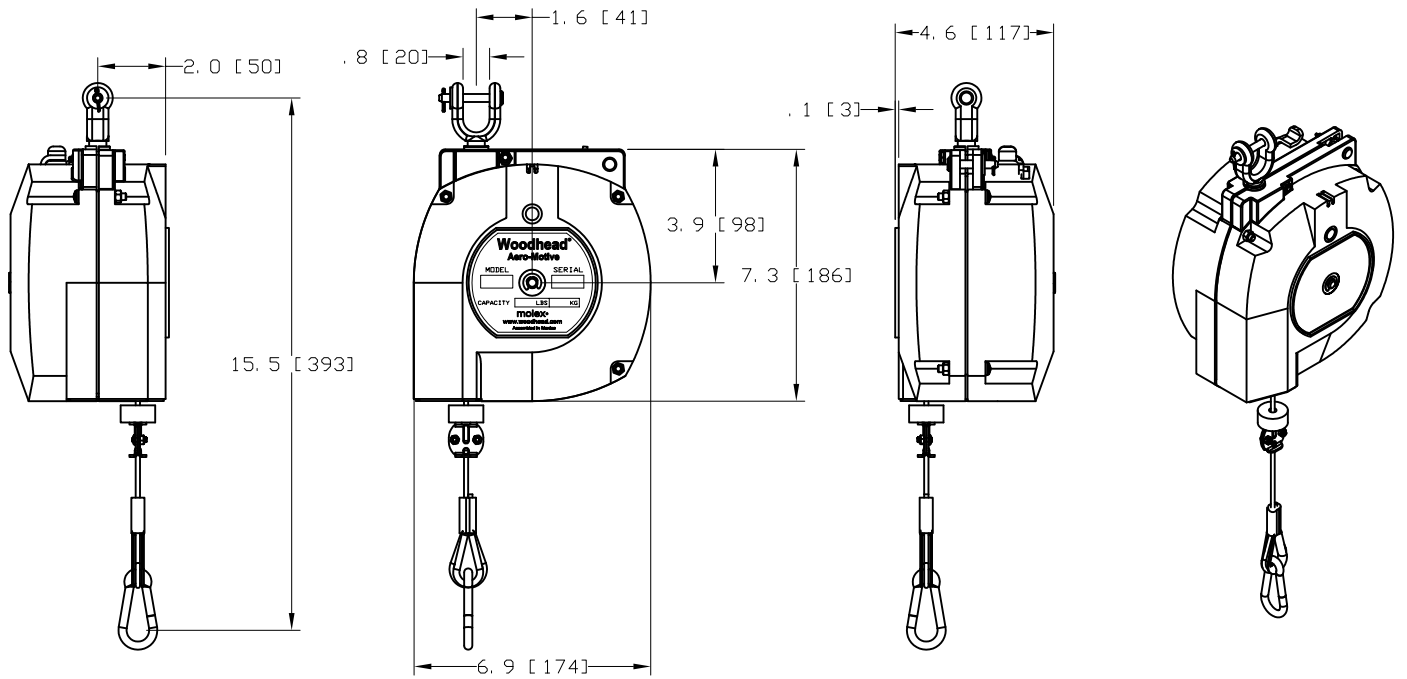
E

D

C

B

A



ALL DIMENSIONS ARE FOR REFERENCE ONLY.

- NOTES:
- BALANCERS ARE 100% INSPECTED & PRE-TENSIONED AT FACTORY.
 - HOUSINGS ARE MADE OF GENERAL PURPOSE ABS TO MEET HARSH INDUSTRIAL ENVIRONMENTS.
 - ALWAYS READ INSTRUCTIONS MANUAL BEFORE USING BALANCERS.
 - BALANCERS ARE NOT TO BE USED AS RETRACTORS THEIR MAIN PURPOSE BEING TO BALANCE A LOAD AND NOT TO RETRACT ONE.
 - IF A RATCHETING LOCK IS REQUIRED ADD AN "LR" AFTER "BF" FAMILY OF BALANCERS. EXAMPLE BFLR18 IS STANDARD BF18 BALANCER WITH A RATCHET LOCK FEATURE. FOR MORE INFO LOOK ON MAIN MATERIAL NUMBERS TABLE.
 - THESE BALANCERS DO NOT COME EQUIPPED WITH A SAFETY CHAIN.

RELEASE TO SALES EC NO: WNA2010-0114 DRAWN: RHOTCA CHKD: DT APPR: DTTUS 9/8/09 2009/09/08 2009/09/30	QUALITY SYMBOLS ▽=0 ▽=0	GENERAL TOLERANCES (UNLESS SPECIFIED)		DIMENSION STYLE IN/MM		SCALE	DESIGN UNITS	THIRD ANGLE PROJECTION	
		4 PLACES	±NA	±NA	DRAWN BY	DATE	NTS	INCH	⊙
		3 PLACES	±NA	±NA	RH	2009/09/08			
		2 PLACES	±NA	±NA	CHECKED BY	DATE			
1 PLACE	±NA	±NA	DT	2009/09/08					
ANGULAR ±1°		DRAFT WHERE APPLICABLE MUST REMAIN WITHIN DIMENSIONS		APPROVED BY		DATE			
				DTTUS		2009/09/30			
				MATERIAL NO.		DOCUMENT NO.		SHEET NO.	
				SEE TABLE		SD-130170-001		1 OF 2	
				THIS DRAWING CONTAINS INFORMATION THAT IS PROPRIETARY TO MOLEX INCORPORATED AND SHOULD NOT BE USED WITHOUT WRITTEN PERMISSION					

10 9 8 7 6 5 4 3 2 1

F

E

D

C

B

A

10 9 8 7 6 5 4 3 2 1

Material Number:	Engineering Number:	Description:	Color:
1301700021	BF6	BF6 BALANCER [3-6LB/1.4-2.7KG],6.6FT	PUTTY
1301700023	BF9	BF9 BALANCER [6-9LB/2.7-4.1KG],6.6FT	PUTTY
1301700015	BF13	BF13 BALANCER [9-13LB/4.1-5.9KG],6.6FT	PUTTY
1301700017	BF18	BF18 BALANCER [13-18LB/5.9-8.2KG],6.6FT	PUTTY
1301700019	BF24	BF24 BALANCER [18-24LB/8.2-10.9KG],6.6FT	PUTTY
1301700032	BFL6	BF6 BALANCER WITH RATCHET LOCK	PUTTY
1301700033	BFL9	BF9 BALANCER WITH RATCHET LOCK	PUTTY
1301700025	BFL13	BF13 BALANCER WITH RATCHET LOCK	PUTTY
1301700027	BFL18	BF18 BALANCER WITH RATCHET LOCK	PUTTY
1301700030	BFL24	BF24 BALANCER WITH RATCHET LOCK	PUTTY

RELEASE TO SALES EC NO: WNA2010-0114 DRAWN: RHOTCA CHK'D: DT APPR: DTTUS 9/9/09 2009/09/08 2009/09/30	QUALITY SYMBOLS ▽=0 ▽Z=0	GENERAL TOLERANCES (UNLESS SPECIFIED)		DIMENSION STYLE IN/MM		SCALE NTS	DESIGN UNITS INCH	THIRD ANGLE PROJECTION		
		4 PLACES ±NA ±NA	3 PLACES ±NA ±NA	2 PLACES ±NA ±NA	1 PLACE ±NA ±NA	DRAWN BY RH	DATE 2009/09/08	TITLE BF" AND "BFLR FAMILY OF BALANCERS		
		ANGULAR ±1°				CHECKED BY DT	DATE 2009/09/08	MOLEX INCORPORATED		
		DRAFT WHERE APPLICABLE MUST REMAIN WITHIN DIMENSIONS				APPROVED BY DTTUS	DATE 2009/09/30	MATERIAL NO. SEE TABLE	DOCUMENT NO. SD-130170-001	SHEET NO. 2 OF 2

10 9 8 7 6 5 4 3 2 1