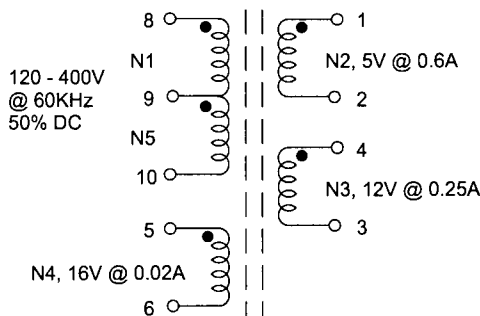
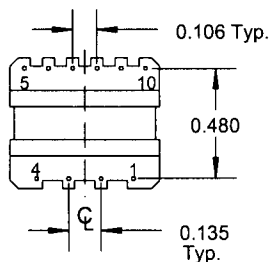
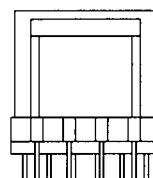
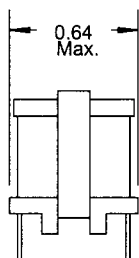
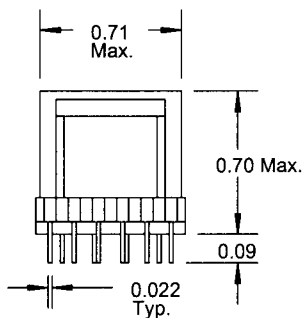


REVISIONS				
ZONE	REV	DESCRIPTION	DATE	APPROVED



L 8-10: 3.25mH +/-10% @ 1KHz 10mA

L leakage 8-10: 60uH max. @ 100KHz 10mA with 1-6 shorted

Turns Ratio: (-/+3%)
 N1/N5 : N2 = 1 : 0.044
 N1/N5 : N3 = 1 : 0.106
 N1/N5 : N4 = 1 : 0.139

DCR
 N1/N5: 5.9 Ohms Typ.
 N2: 0.037 Ohms Typ.
 N3: 0.206 Ohms Typ.
 N4: 0.92 Ohms Typ

Hipot: 4000VAC, N1, N4 to N2, N3

UNLESS OTHERWISE SPECIFIED DIMENSIONS ARE IN INCH TOLERANCE ON .XX DEC. .XXX DEC. ANGLES + 0.02 + 0.005			J.W.MILLER		306 E. ALONDRA BLVD. P.O. BOX 2859	
			MAGNETICS		GARDENA, CA 90248-1059	
DRAWN			TITLE			
AC			Transformer, VIPer12A Dual Output reference Borad			
5/28/2004			SIZE	CODE IDENT. NO.	DRAWING NO.	REV.
FINISH			A	76493	08337	
RELEASED			SCALE	WEIGHT	SHEET 1 / 1	