

SMT, CCFL Inverter Transformers

Special Features

- Power rating: 6 watts
- Operating frequency: 60KHz +/-25%
- Operating ambient temperature: 0 to +75 °C
- Storage temperature: -40 to +105 °C
- Dielectric withstanding voltage: 1500Vrms
- Packaged: Bulk

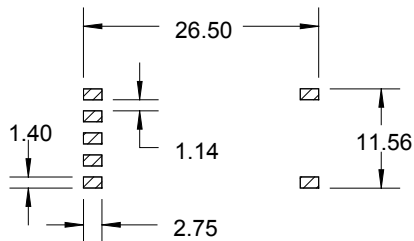
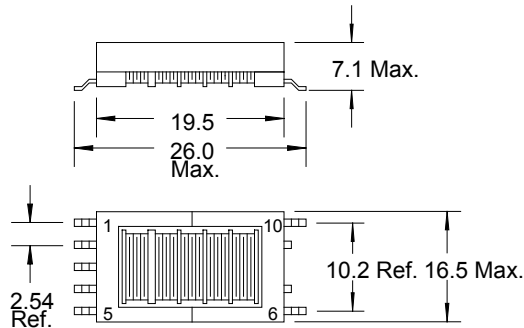
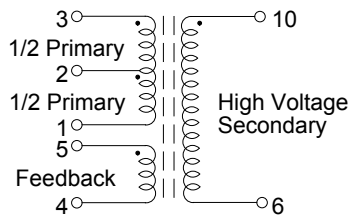
Typical Applications

- LCD flat panel displays
- Notebook / palmtop computers
- Portable instruments
- Retail terminals

Consult engineering for inverter circuit related inductors selection.

PM61300 Series							
Part Number	Primary			Secondary			Turns Ratio
	L (uH) ±10% @ 10KHz	DCR Ω Max.	Voltage (V)	DCR Ω Max.	Voltage (V)	I,rms (mA)	
PM61300-1	44	0.61	25	132	1300	70	50
PM61300-2	44	0.82	20	175	1300	70	67
PM61300-3	27	1.10	15	175	1300	70	86
PM61300-4	20	1.88	13	175	1300	70	100
PM61300-5	20	2.34	10.5	290	1300	70	125

Also available as RoHS compliant.



Dimensions: mm

Pad Layout

J.W. Miller
MAGNETICS

306 E. Alondra Blvd. Gardena, CA 90247-1059 • Phone (310) 515-1720 • FAX (310) 515-1962

www.jwmiller.com