





DC/DC CONVERTER TRANSFORMER

Small Footprint, Low Profile, SMT Package



-  Key to cost effective alternative for Modular DC/DC Converters
-  Design flexibility: positive, negative, or \pm supplies possible with a single transformer design
-  Auto-placeable
-  Can be used regulated or unregulated

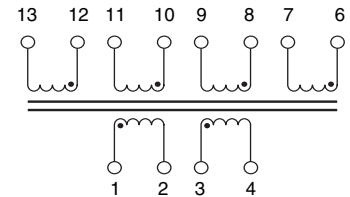
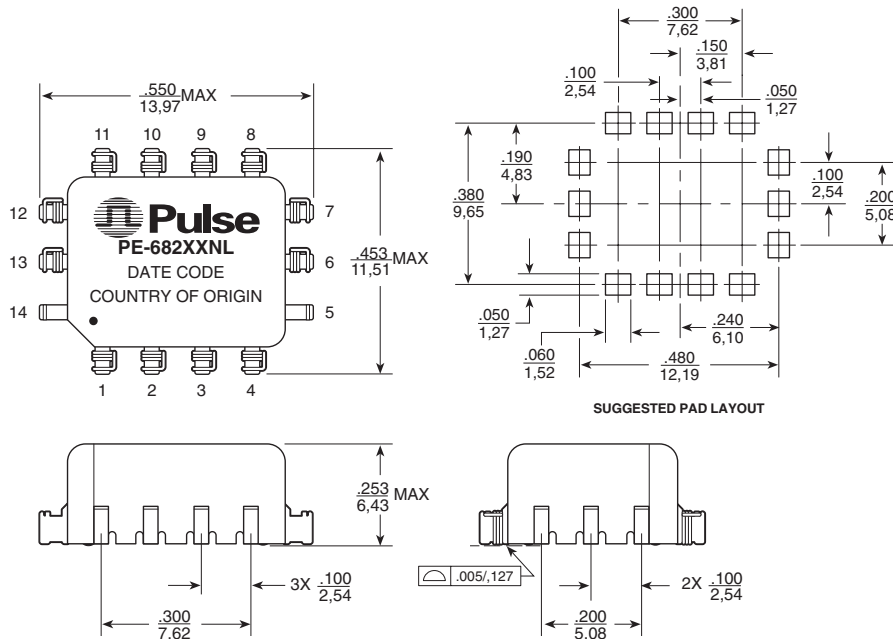
Electrical Specifications @ 25°C — Operating Temperature -40°C to 130°C

Part Number	Input Voltage (Vin)	Output Voltage (Vo)	Efficiency (NOM)	Output (I/O MIN)	Output Load (I/O MAX)	Hi-Pot Regulation
PE-68279NL	11.5 to 12.5	9V nom	75%	80 mA /200 mA	$\pm 5\%$	1500 Vrms
PE-68283NL	4.75 to 5.25	9V nom	72%	80 mA /200 mA	$\pm 5\%$	1500 Vrms

NOTE: Add suffix "T" to part number for Tape & Reel package (i.e. PE-68279T).

Mechanical

Schematic



Weight 1.0 grams
Tape & Reel500/reel
Tube40/tube

Dimensions: $\frac{\text{Inches}}{\text{mm}}$
Unless otherwise specified, all tolerances are $\pm \frac{.005}{0,13}$

For More Information:

Pulse Worldwide Headquarters

12220 World Trade Dr.
San Diego, CA 92128
U.S.A.
www.pulseeng.com

Tel: 858 674 8100
Fax: 858 674 8262

Pulse Europe

Einsteinstrasse 1
D-71083 Herrenberg
Germany

Tel: 49 7032 7806 0
Fax: 49 7032 7806 12

Pulse China Headquarters

B402, Shenzhen
Tech-Innovation International
Tenth Kejinan Rd.
High-Tech Industrial Park
Nanshan District, Shenzhen
China

Tel: 86 755 33966678
Fax: 86 755 33966700

Pulse North China

Room 1503
XinYin Building
No. 888 YiShan Rd.
Shanghai 200233
China

Tel: 86 21 54643211/2
Fax: 86 21 54643210

Pulse South Asia

150 Kampong Ampat
#07-01/02
KA Centre
Singapore 368324

Tel: 65 6287 8998
Fax: 65 6280 0080

Pulse North Asia

No. 26
Kao Ching Rd.
Yang Mei Chen
Tao Yuan Hsien
Taiwan, R. O. C.

Tel: 886 3 4641811
Fax: 886 3 4641911

Performance warranty of products offered on this data sheet is limited to the parameters specified. Data is subject to change without notice. Other brand and product names mentioned herein may be trademarks or registered trademarks of their respective owners. © Copyright, 2007. Pulse Engineering, Inc. All rights reserved.

www.pulseeng.com

P599.B (10/07)