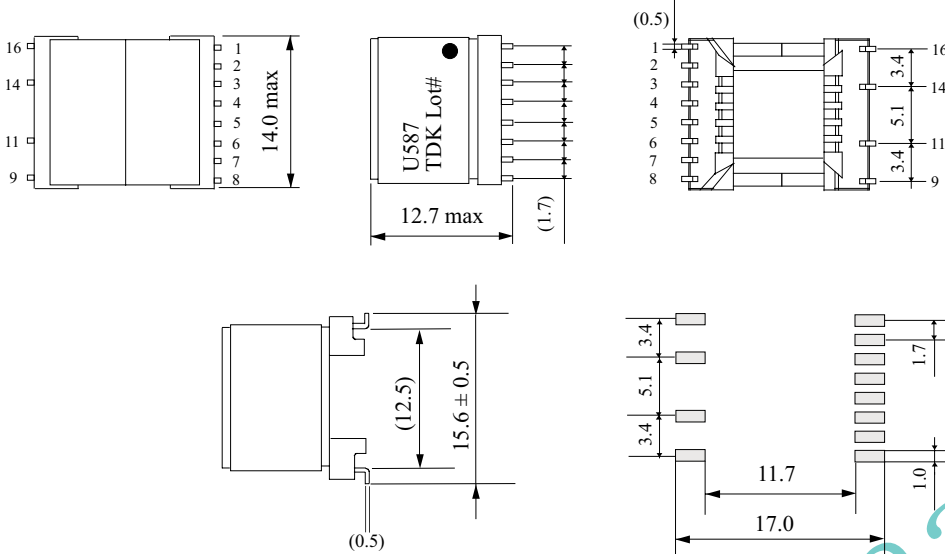


TDK Transformer

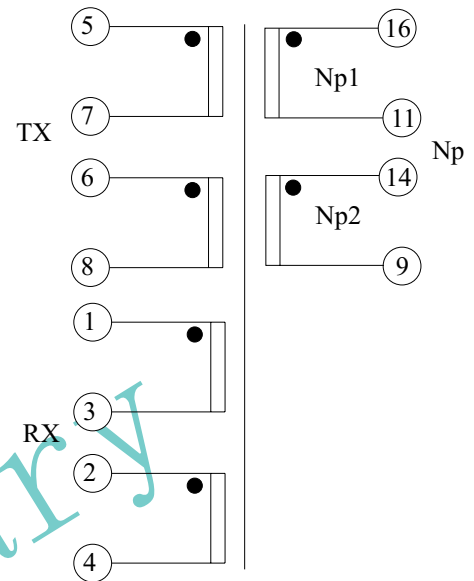
TRTEP13S-U587B015

Texas Instruments 2.5:2.5:1.0 UR8 AnnexA CPE

Mechanical



Schematics



(Chip Side) (Line Side)

Np : TX = 2.5 : 1.0
Np : RX = 1.0 : 1.0

Electrical Specifications @25degreesC

Parameter	Min	Nom	Max	Units	Conditions
Inductance	1.38	1.50	1.62	mH	16-9 (tied11+14), 10KHz, 0.1V.
Leakage Inductance			10.0	uH	Line, 16-9 (tied11-14,short others), 100KHz, 0.1V.
			1.00	uH	TX, 5-8 (tied6+7,short others), 100KHz, 0.1V.
			10.0	uH	RX, 1-4 (tied2+3,short others), 100KHz, 0.1V.
DC Resistance	1.75	2.05	2.40	Ohms	Line, 16-9 (tied11+14)
	2.50	3.15	3.80	Ohms	RX, 1-4 (tied2+3)
	0.360	0.425	0.500	Ohms	TX, 5-8 (tied6+7)
Turns Ratio		2.5 : 1.0		±2%	Line:TX, 16-9(tied11+14) : 5-8(tied7+6),10KHz, 0.1V
		1.0 : 1.0		±2%	Line:RX, 16-9(tied11+14) : 1-4(tied2+3),10KHz, 0.1V
Dielectric Withstanding		1,500		Vrms	Between Line Side and Chip Side
Total Harmonic Distortion			-90.0	dB	25KHz,2Vrms
Longitudinal Balance	60			dB	1.1MHz
Operating Temperature	-40		85	°C	
Safety Requirements	Supplementary Insulation				EN60950/UL60950 between SELV and TNV
RoHS compliant	This means that, in conformity with EU Directive 2002/95/EC, lead, cadmium, mercury, hexavalent chromium, and specific bromine-based flame retardants, PBB and PBDE, have not been used, except for exempted applications.				