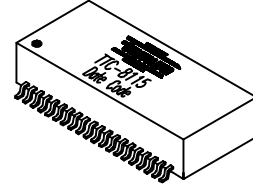


REV. Status
PRELIMINARY
01/05/01 BT



10/100 Base-T QUAD Magnetic Module Multi Port, 40 pin SMD

- Complies with IEEE 802.3 Standard
- Surface Mount Device withstands IR reflow profile process
- Operating temperature: 0°C to 70°C
- Enhanced Common Mode Attenuation

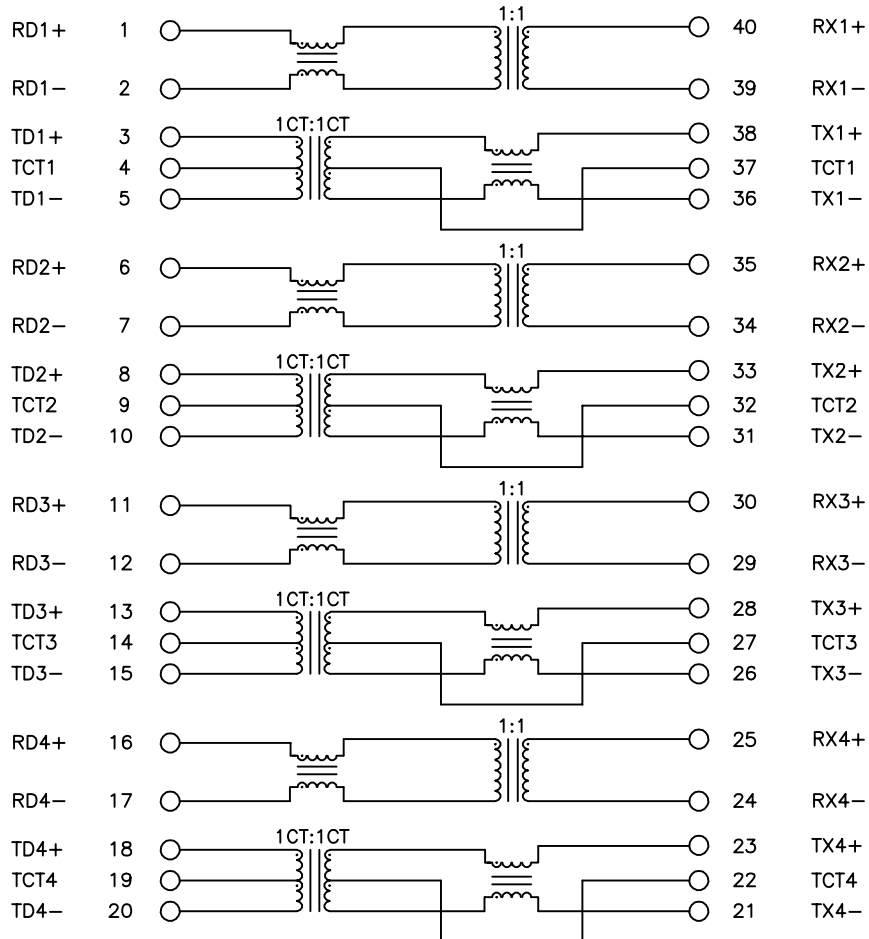


MODEL NUMBER
TTC-8115

PRELIMINARY

Electrical Specification @ 25°C

Insertion Loss (dB Max)	Return Loss (dB Min)		CMRR (dB Min)	Crosstalk (dB Min)	OCL (μ H Min)	Hipot (Vrms)	Leakage L (μ H Max)	C ww (pF Max)
	0.1-30 MHz	60 MHz						
0.1-100 MHz	0.1-30 MHz	60 MHz	80 MHz	0.1-100 MHz	0.1-100 MHz	8mA DC Bias	60 sec	100KHz
-1.1	-18	-14	-11	-35	-35	350	1500	0.5



PREPARED BY:

D. Rund

ENGINEER:

L. Le

QUALITY CONTROL:

D. Kelley

APPROVED:

B. Taylor

DWG CONTROL NO.
P-A1-12678
ACAD\TTC\A1126781.DWG

REV
PRE

10/100 Base-T QUAD Magnetic
Module, Multi Port, 40 pin SMD

TAMURA CORPORATION OF AMERICA
43352 BUSINESS PARK DRIVE, TEMECULA, CA. 92590-6624
(909) 699-1270 FAX 9096769482

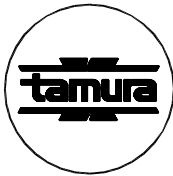
TTC-8115

MODEL SPECIFICATION

DIM: mm(In) SCL: none SH: 1 OF 2

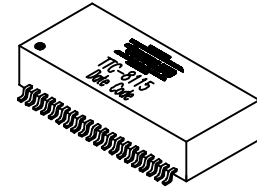
PROPRIETARY NOTICE: THIS DRAWING PRINT OR DOCUMENT AND SUBJECT MATTER DISCLOSED HEREIN ARE PROPRIETARY ITEMS TO WHICH TAMURA RETAINS THE EXCLUSIVE RIGHT OF DISSEMINATION, REPRODUCTION, MANUFACTURE AND SALE. THIS DRAWING, PRINT OR DOCUMENT IS SUBMITTED IN CONFIDENCE FOR CONSIDERATION BY THE RECIPIENT ALONE UNLESS PERMISSION FOR FURTHER DISCLOSURE IS EXPRESSLY GRANTED IN WRITING.

REV. Status
 PRELIMINARY
 01/05/01 BT

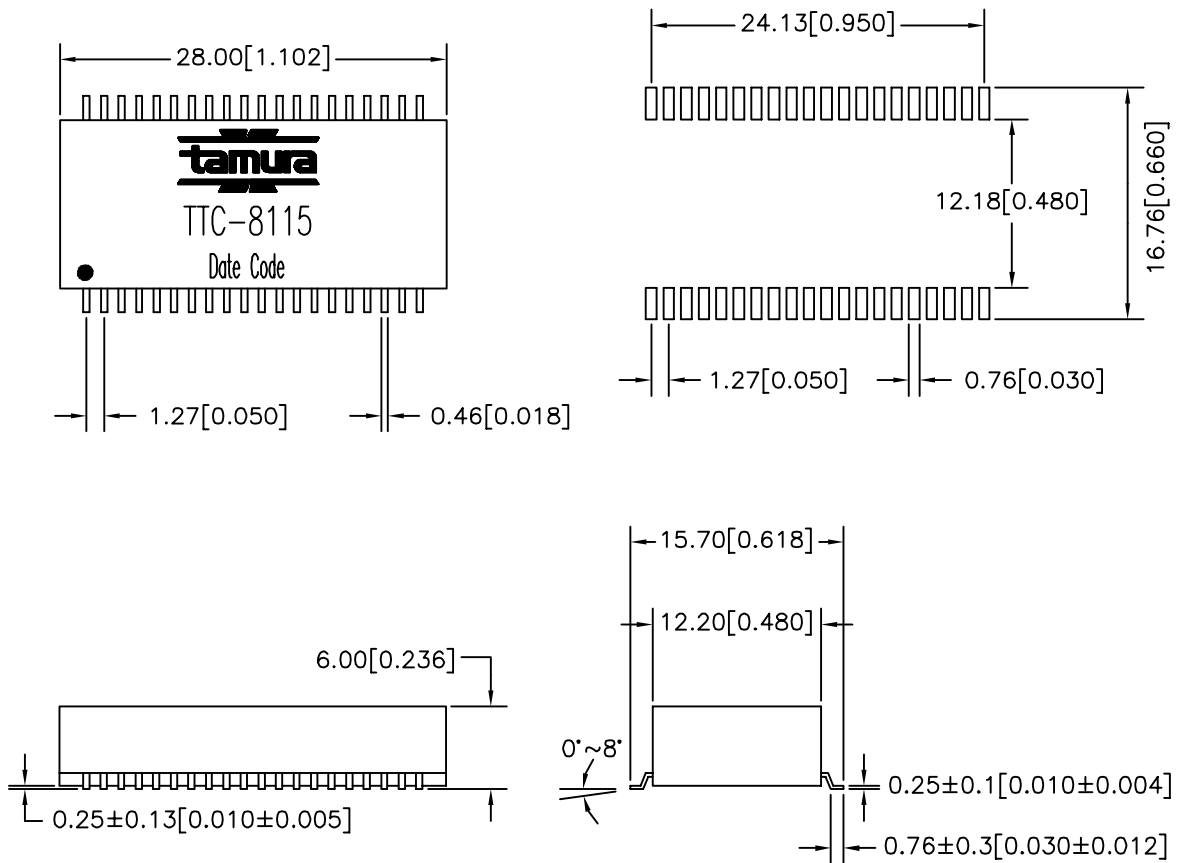


10/100 Base-T QUAD Magnetic Module
 Multi Port, 40 pin SMD

MODEL NUMBER
TTC-8115



PRELIMINARY



PREPARED BY:

D. Rund

ENGINEER:

L. Le

QUALITY CONTROL:

D. Kelley

APPROVED:

B. Taylor

NOTE: Unless otherwise specified, all dimensions are mm[in] with tolerance of ±0.25[0.010]

DWG CONTROL NO. P-A1-12678 ACAD\TTC\A1126782.DWG	REV PRE	10/100 Base-T QUAD Magnetic Module, Multi Port, 40 pin SMD	TTC-8115	
CONTENTS OF THIS DRAWING ARE SUBJECT TO CHANGE WITHOUT PRIOR NOTICE			TAMURA CORPORATION OF AMERICA 43352 BUSINESS PARK DRIVE, TEMECULA, CA. 92590-6624 (909) 699-1270 FAX 9096769482	
PROPRIETARY NOTICE: THIS DRAWING PRINT OR DOCUMENT AND SUBJECT MATTER DISCLOSED HEREIN ARE PROPRIETARY ITEMS TO WHICH TAMURA RETAINS THE EXCLUSIVE RIGHT OF DISSEMINATION, REPRODUCTION, MANUFACTURE AND SALE. THIS DRAWING, PRINT OR DOCUMENT IS SUBMITTED IN CONFIDENCE FOR CONSIDERATION BY THE RECIPIENT ALONE UNLESS PERMISSION FOR FURTHER DISCLOSURE IS EXPRESSLY GRANTED IN WRITING.			DIM: mm(In)	SCL: none
			SH: 2	OF 2