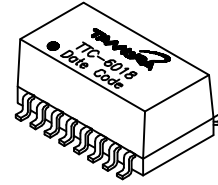




T1/CEPT/ISDN-PRI Transformer 16 pin SOIC

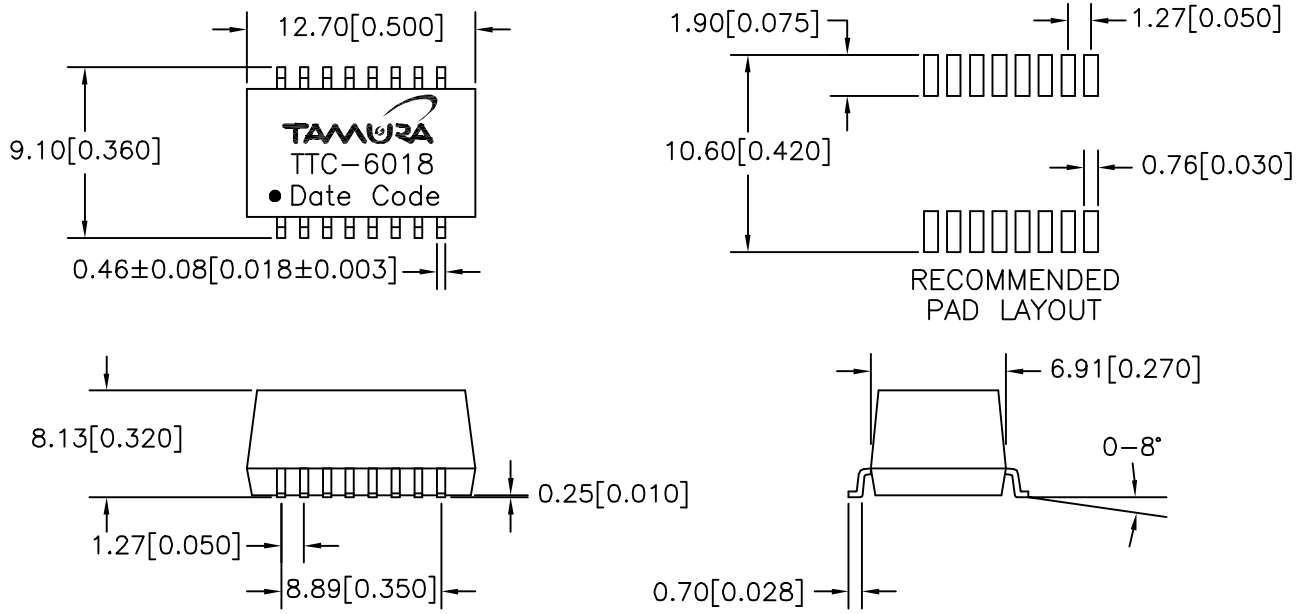
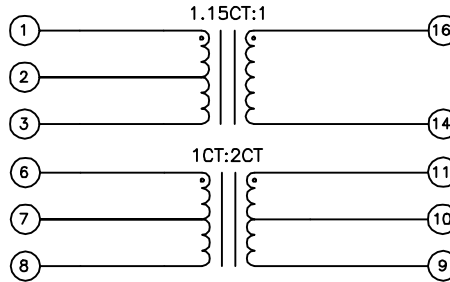


MODEL NUMBER

TTC-6018

- Complies with UL1950 3rd Edition, UL60950
- Surface Mount Device withstands IR reflow profile process
- Operating temperature: 0°C to 70°C

Electrical Specification @ 25°C					
DCR (Ω Max)		OCL (mH Min)	Hipot (Vrms)	Leakage L (μH Max)	Cww (pF Max)
(16-14) (6-8) (1-3)	(11-9)	10KHz 0.1Vrms (16-14) (6-8)	1 minute	100KHz 0.1Vrms (16-14) w/(1-3) shorted (6-8) w/(11-9) shorted	100KHz 0.1Vrms
0.7	1.2	1.2	1500	0.6	30



PREPARED BY:

D. Rund

ENGINEER:

L. Le

QUALITY CONTROL:

D. Kelley

APPROVED:

J. Coleman

NOTE: Unless otherwise specified, all dimensions are mm[in] with tolerance of ±0.25[0.010]

DWG CONTROL NO. P-A1-12814 ACAD\TTC\A112814.DWG	REV PRE	Isolation Transformer 16 pin SOIC	TTC-6018 MODEL SPECIFICATION		
CONTENTS OF THIS DRAWING ARE SUBJECT TO CHANGE WITHOUT PRIOR NOTICE		TAMURA CORPORATION OF AMERICA 43352 BUSINESS PARK DRIVE, TEMECULA, CA. 92590-6624 (909) 699-1270 FAX 9096769482			
PROPRIETARY NOTICE: THIS DRAWING PRINT OR DOCUMENT AND SUBJECT MATTER DISCLOSED HEREIN ARE PROPRIETARY ITEMS TO WHICH TAMURA RETAINS THE EXCLUSIVE RIGHT OF DISSEMINATION, REPRODUCTION, MANUFACTURE AND SALE. THIS DRAWING, PRINT OR DOCUMENT IS SUBMITTED IN CONFIDENCE FOR CONSIDERATION BY THE RECIPIENT ALONE UNLESS PERMISSION FOR FURTHER DISCLOSURE IS EXPRESSLY GRANTED IN WRITING.					