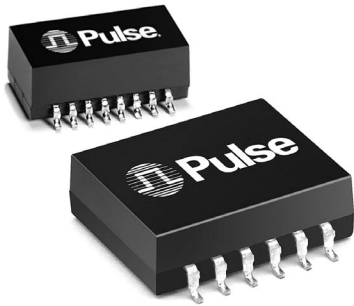


10/100BASE-TX SINGLE-PORT TRANSFORMER MODULES

Military / Aerospace Grade



- ✔ Compliant with IEEE 802.3u & ANSI X3.263 standards
- ✔ 350μH OCL with 8mA bias
- ✔ Operating and storage temperature:
100B-1001 & 100B-1003: -40°C to +85°C
100B-1001X & 100B-1003X: -55°C to +125°C
- ✔ IC grade transfer-molded package withstands 235°C peak temperature profile. RoHS version withstands 245°C
- ✔ AS9100 Certified (Based on and including ISO 9001:2000)

Electrical Specifications @ 25°C

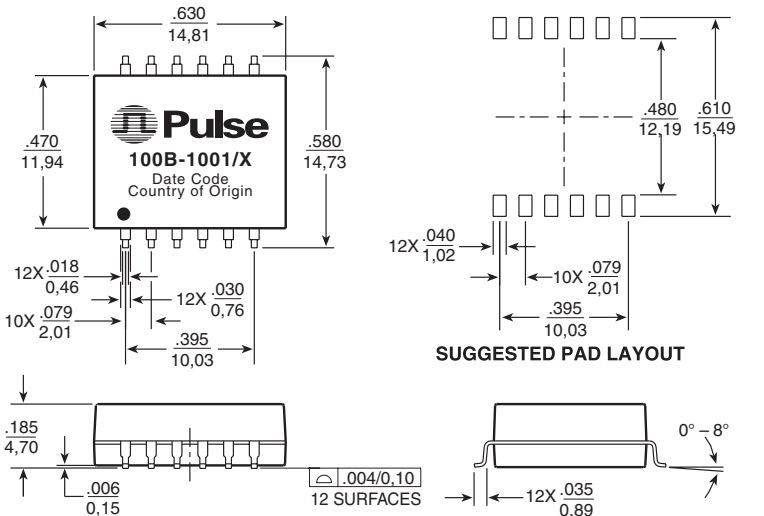
Part Number ¹	Insertion Loss (dB MIN)	Return Loss (dB MAX)					Crosstalk (dB MAX)				DM to CM Rejection Ratio (dB MAX)		
		0.1-100 MHz	2-30 MHz	50 MHz	60 MHz	80 MHz	16 MHz	30 MHz	60 MHz	80 MHz	0.1-30 MHz	30-60 MHz	60-100 MHz
100B-1001	-1.00	-18	-14	-12	-12	-48	-44	-40	-38	TX: -50 RX: -50	TX: -40 RX: -40	TX: -30 RX: -30	
100B-1001X	-1.10	-18	-14	-12	-10	-48	-44	-40	-38	TX: -45 RX: -45	TX: -40 RX: -40	TX: -38 RX: -33	
100B-1003	-1.00	-20	-14	-14	-12	-48	-45	-40	-38	TX: -50 RX: -50	TX: -40 RX: -40	TX: -35 RX: -35	
100B-1003X	-1.00	-20	-14	-14	-12	-48	-45	-40	-38	TX: -45 RX: -35	TX: -40 RX: -35	TX: -35 RX: -35	

NOTE: 1. Add suffix NL for RoHS compliant version; i.e. 100B-1001 becomes 100B-1001NL

Mechanical

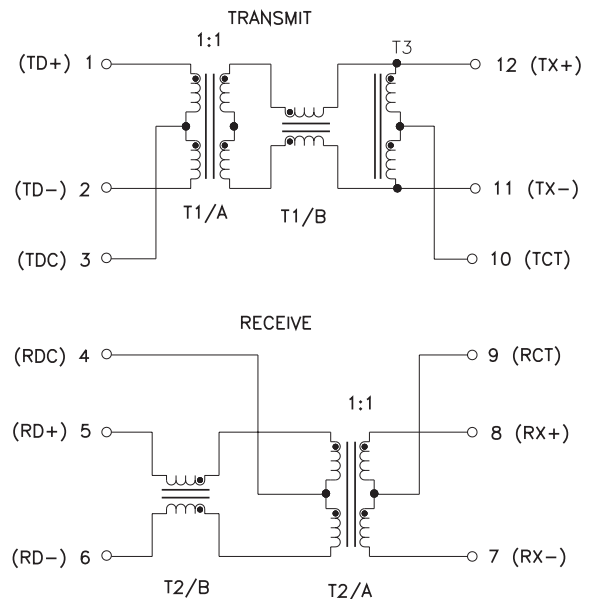
Schematic

100B-1001/X



Weight 1.7 grams
 Tape and Reel 350/reel
 Tray 30/tray

Dimensions: Inches
 mm
 Unless otherwise specified, all tolerances are ± .010 / 0.25



USA 215 781 6400 • Germany 49 7032 7806 0 • Singapore 65 6287 8998 • Shanghai 86 21 32181071 • China 86 755 33966678 • Taiwan 886 3 4643715

10/100BASE-TX SINGLE-PORT TRANSFORMER MODULES

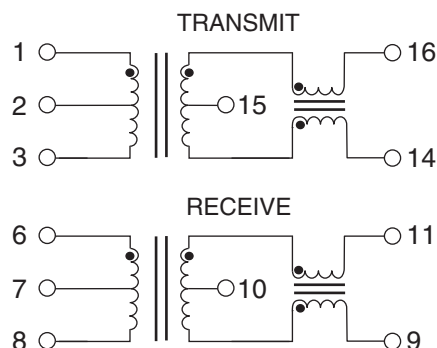
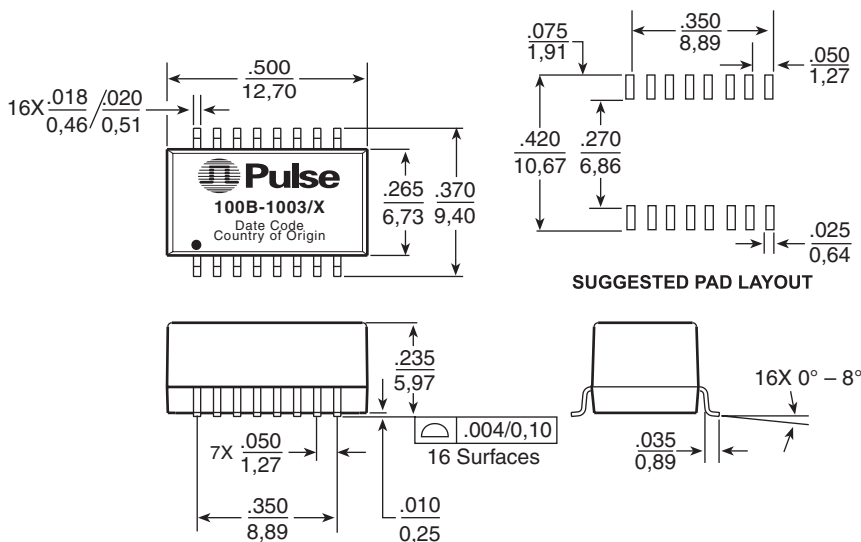
Military / Aerospace Grade



Mechanical

Schematic

100B-1003/X



Weight 1.16 grams Dimensions: $\frac{\text{Inches}}{\text{mm}}$
 Tape and Reel 600/reel Unless otherwise specified, all tolerances are $\pm \frac{.010}{0,25}$

For More Information:

Pulse Worldwide Headquarters

Two Pearl Buck Court
 Bristol, PA 19007
 U.S.A.

www.pulseeng.com

Tel: 215 781 6400

Fax: 215 781 6403

Pulse Europe

Zeppelinstrasse 15
 D-71083 Herrenberg
 Germany

Tel: 49 7032 7806 0

Fax: 49 7032 7806 135

Pulse China Headquarters

B402, Shenzhen Academy of
 Aerospace Technology Bldg.
 10th Kejinan Rd.
 High-Tech Zone
 Nanshan District
 Shenzhen, PR China 518057

Tel: 86 755 33966678

Fax: 86 755 33966700

Pulse North China

Room 2704/2705
 Super Ocean Finance Ctr.
 2067 Yan An Rd. West
 Shanghai 200336
 China

Tel: 86 21 62787060

Fax: 86 2162786973

Pulse South Asia

135 Joo Seng Rd.
 #03-02
 PM Industrial Bldg.
 Singapore 368363

Tel: 65 6287 8998

Fax: 65 6287 8998

Pulse North Asia

3F, No. 198
 Zhongyuan Rd.
 Zhongli City
 Taoyuan County 320
 Taiwan R. O. C.

Tel: 886 3 4356768

Fax: 886 3 4356823 (Pulse)

Fax: 886 3 4356820 (FRE)

Performance warranty of products offered on this data sheet is limited to the parameters specified. Data is subject to change without notice. Other brand and product names mentioned herein may be trademarks or registered trademarks of their respective owners. © Copyright, 2009. Pulse Engineering, Inc. All rights reserved.