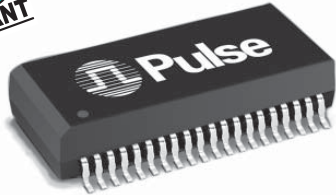





10/100BASE-TX QUAD PORT TRANSFORMER MODULES

For Use with Transceivers Requiring 1:1 Transmit and Receive Turns Ratios



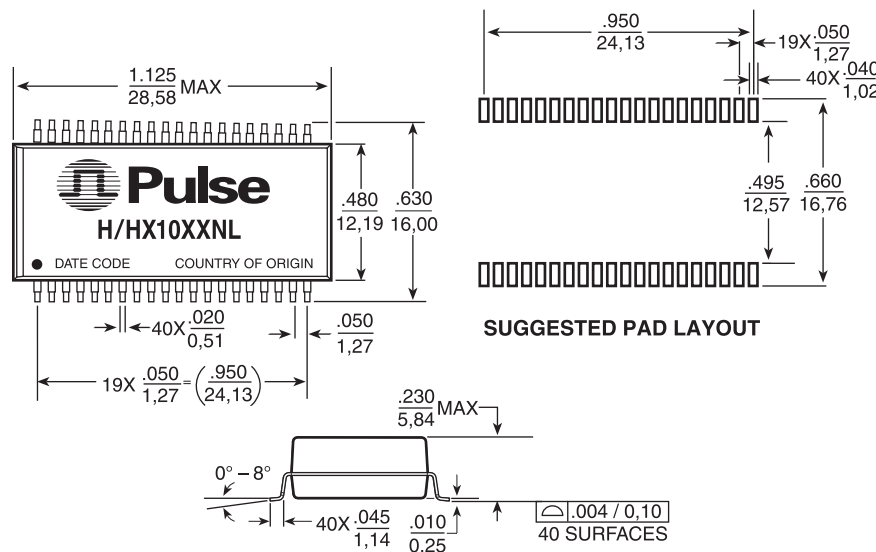
-  RoHS peak reflow temperature rating: 245°C
-  Meets IEEE 802.3 specification
-  Models designed to support four single or double-stacked RJ-45 connectors

Electrical Specifications @ 25°C — Operating Temperature 0°C to 70°C

RoHS Compliant Part Number ²	Insertion Loss (dB TYP)	Return Loss (dB TYP)				Crosstalk (dB TYP)				Common to Common Rejection Ratio 0.1-60 MHz (dB TYP)		Differential to Common Mode Rejection (dB TYP)	
		0.1-100 MHz	2-30 MHz	40 MHz	50 MHz	60-80 MHz	1 MHz	30 MHz	60 MHz	100 MHz	TX	RX	1-60 MHz
H1036LNL ^{3d}	-0.5	-21	-17	-14.5	-12	-65	-55	-45	-35	-30	-30	-40	-30
H1044NL ^{3d}	-0.5	-21	-17	-14.5	-12	-65	-55	-45	-35	-30	-30	-40	-30
H1053NL ^{3d}	-0.5	-21	-17	-14.5	-12	-65	-50	-40	-30	-30	-30	-40	-30
H1060NL ^{3d}	-0.5	-21	-17	-14.5	-12	-65	-50	-40	-30	-30	-30	-40	-30
H1062NL ^{3d}	-0.5	-21	-17	-14.5	-12	-65	-55	-45	-35	-30	-30	-40	-30
H1071NL ^{3d}	-0.5	-21	-17	-14.5	-12	-65	-50	-40	-30	-30	-30	-40	-30

1. **Operating** temperature -40° to +85°C.
2. **For Tape & Reel** packaging, add the suffix "T" to the end of the part number when ordering. e.g. H1044NLT.
3. **MSL** = Moisture Sensitivity Level a = 1, b = 2, c = 3, d = 4.

Mechanical



Weight 4.0 grams TYP
 Tube 15/tube
 Tape & Reel 250/reel

Dimensions: $\frac{\text{Inches}}{\text{mm}}$ Unless otherwise specified, all tolerances are $\pm \frac{.010}{0.25}$

10/100BASE-TX QUAD PORT TRANSFORMER MODULES

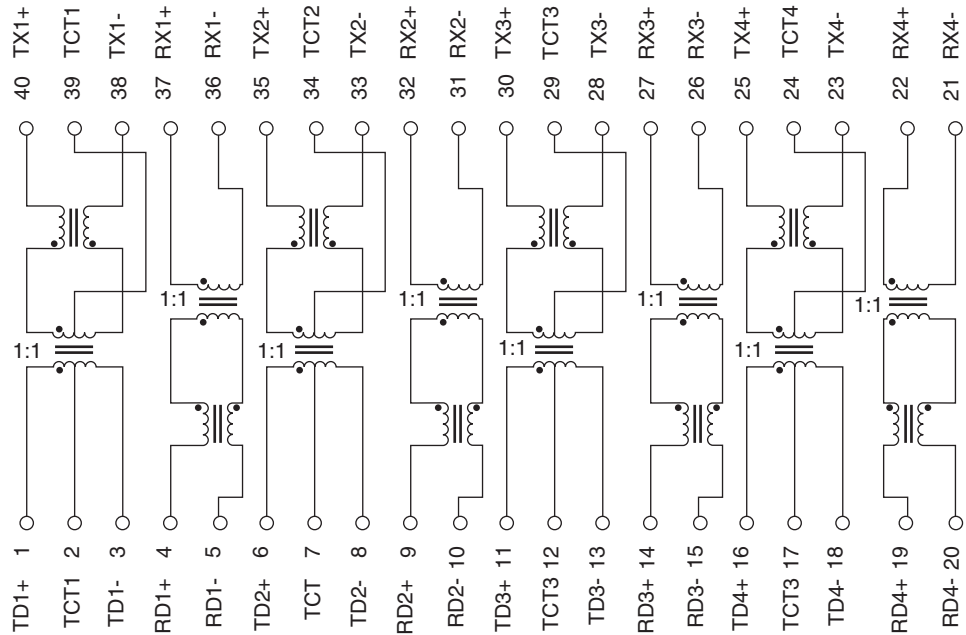
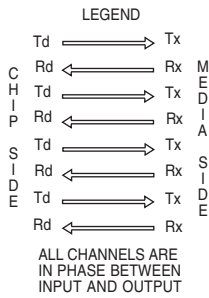


For Use with Transceivers Requiring 1:1 Transmit and Receive Turns Ratios

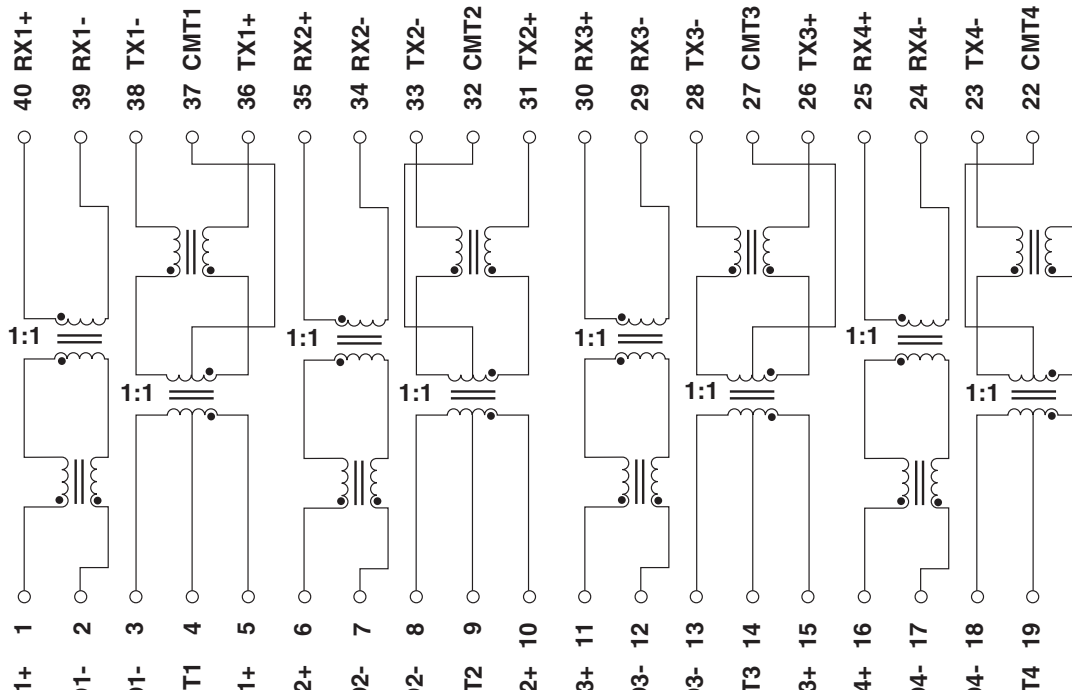
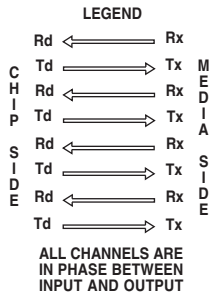
Quad-Port Solutions: The H1036L, H1044, H1053, H1060, H1062, and H1071NL are quad modules designed to support four single or double stacked RJ-45 connectors. Each has a different pinout for optimization in layout with various IC manufacturers.

Schematics

H1036LNL



H1044NL



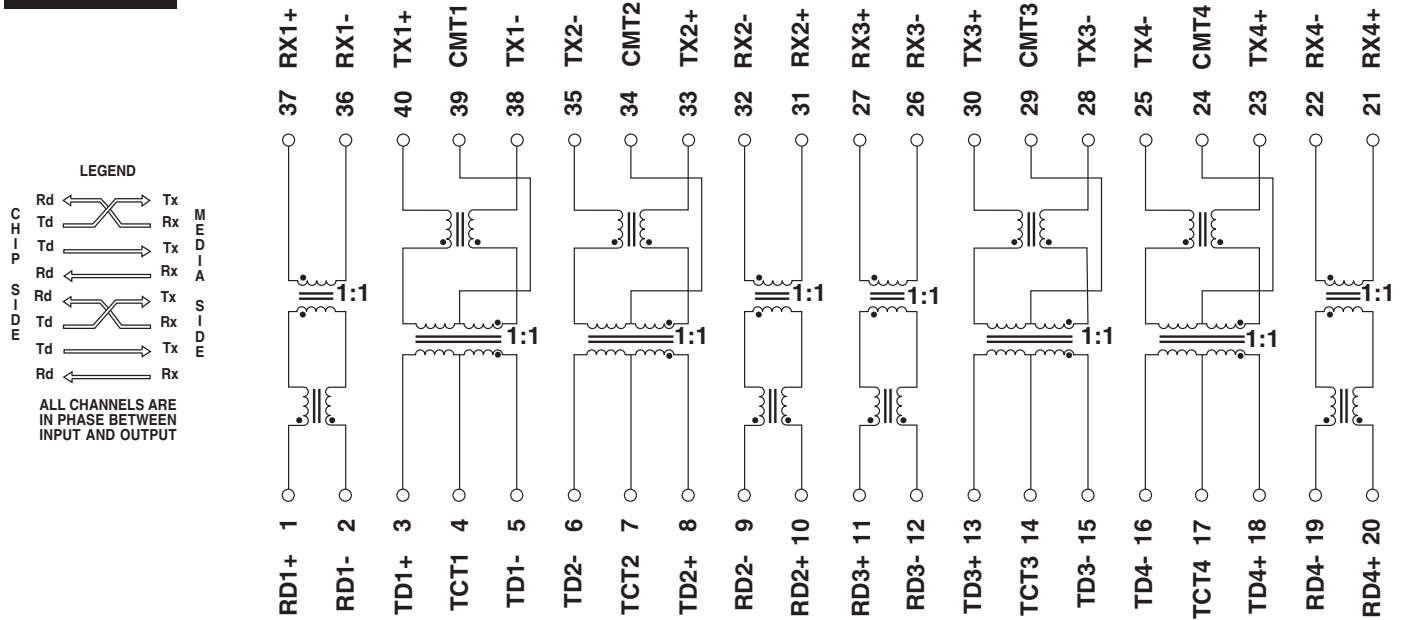
10/100BASE-TX QUAD PORT TRANSFORMER MODULES

For Use with Transceivers Requiring
1:1 Transmit and Receive Turns Ratios

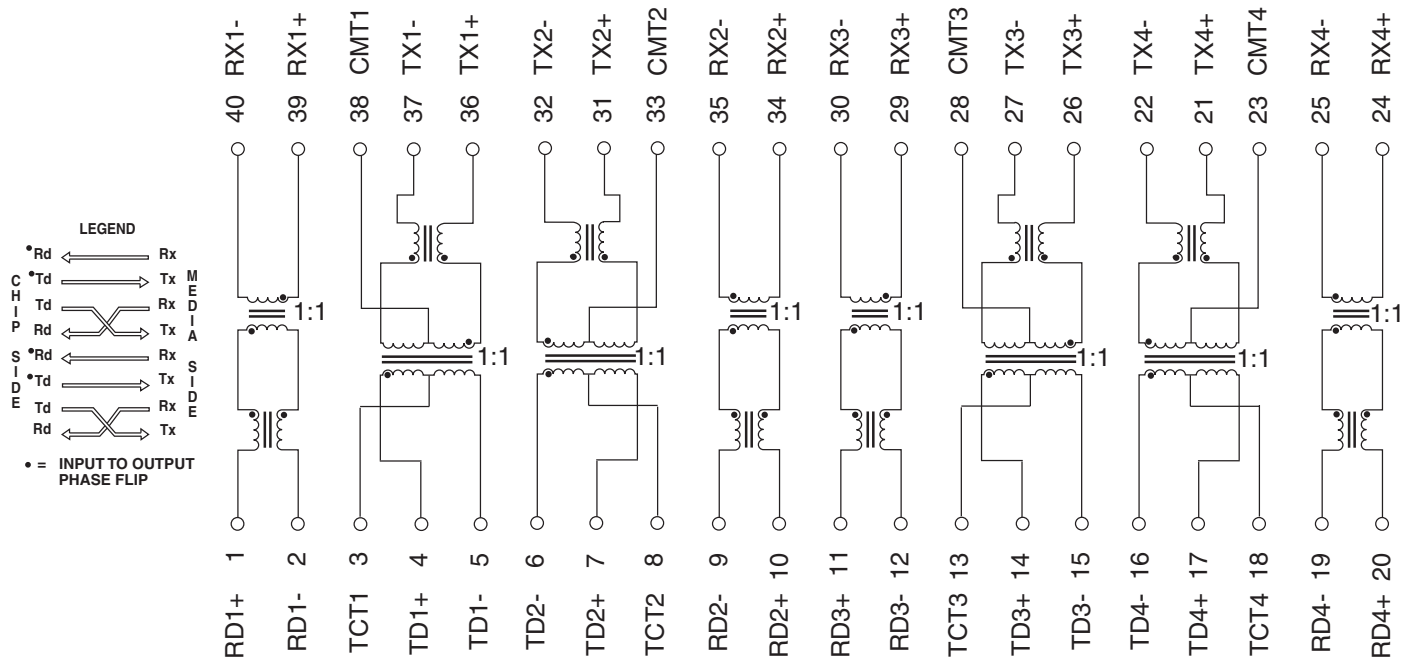


Schematics

H1053NL



H1060NL

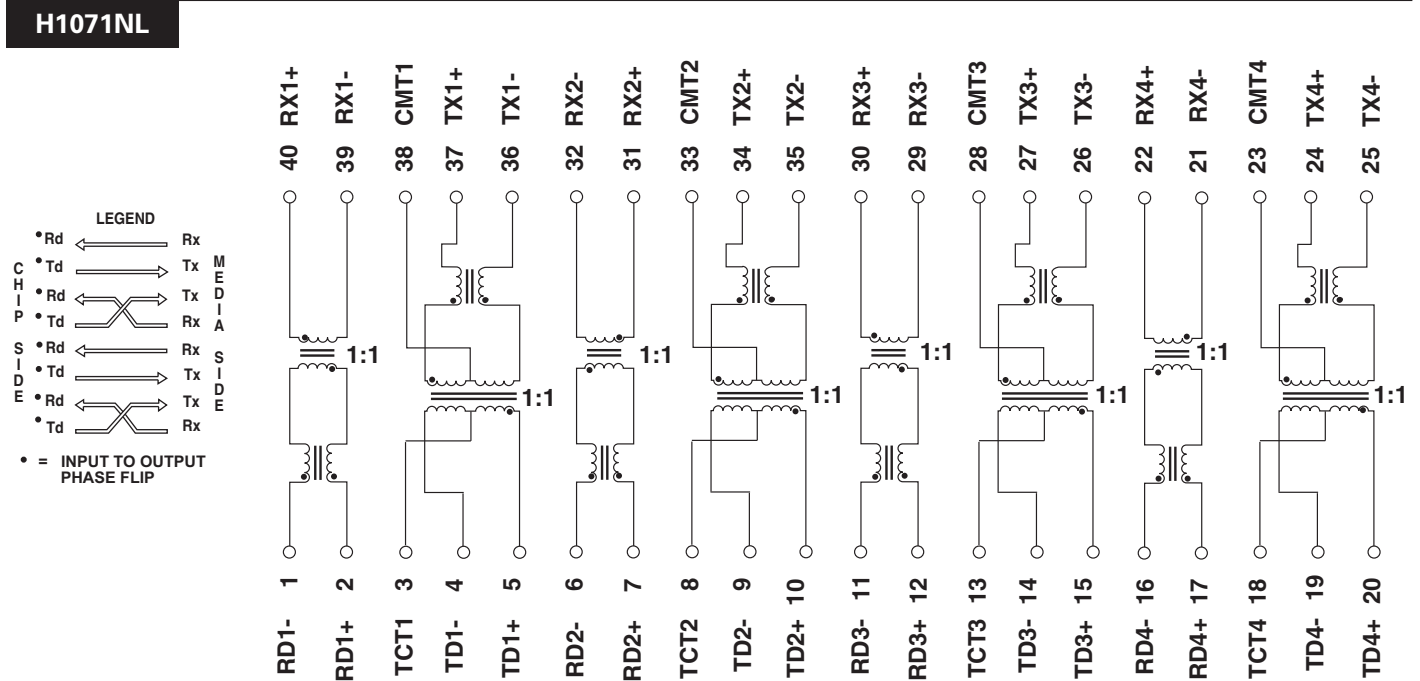
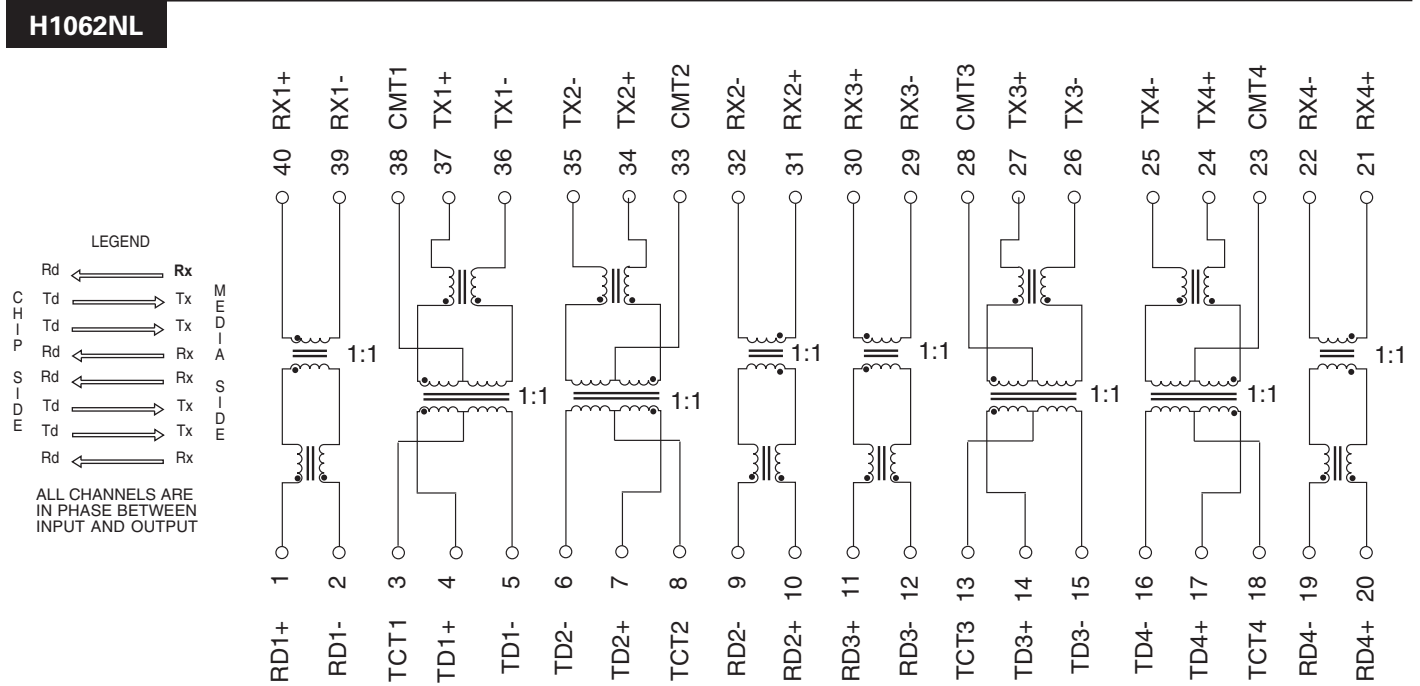


10/100BASE-TX QUAD PORT TRANSFORMER MODULES



For Use with Transceivers Requiring
1:1 Transmit and Receive Turns Ratios

Schematics

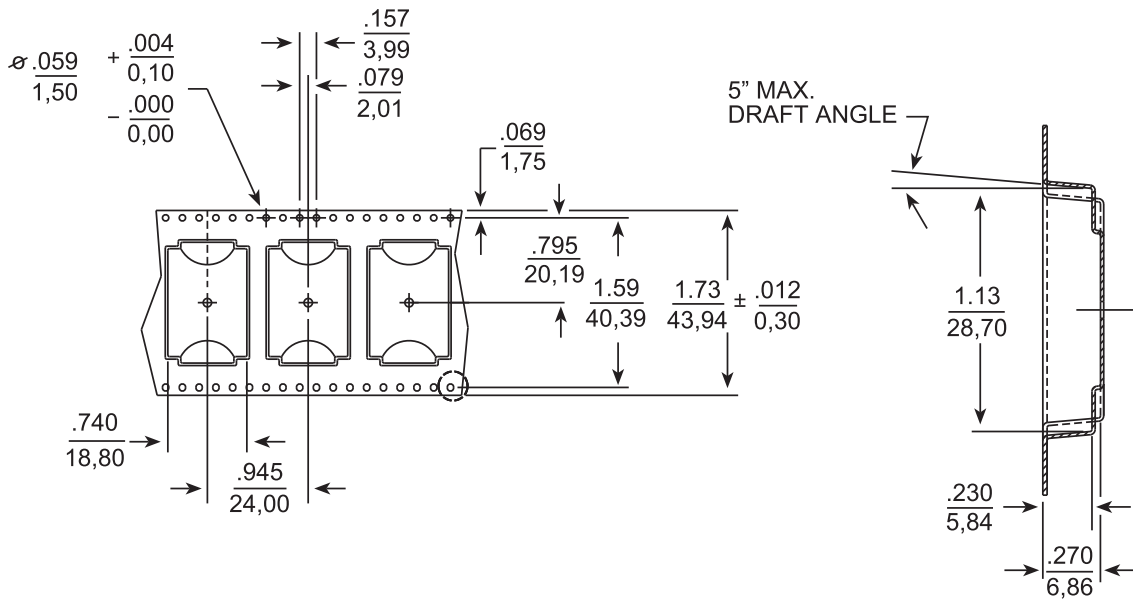


10/100BASE-TX QUAD PORT TRANSFORMER MODULES

For Use with Transceivers Requiring
1:1 Transmit and Receive Turns Ratios



Tape & Reel Specifications



For More Information:

Pulse Worldwide Headquarters

12220 World Trade Dr.
San Diego, CA 92128
U.S.A.

www.pulseeng.com

Tel: 858 674 8100
Fax: 858 674 8262

Pulse Europe

Einsteinstrasse 1
D-71083 Herrenberg
Germany

Tel: 49 7032 7806 0
Fax: 49 7032 7806 135

Pulse China Headquarters

B402, Shenzhen Academy of
Aerospace Technology Bldg.
10th Kejinan Rd.
High-Tech Zone
Nanshan District
Shenzhen, PR China 518057

Tel: 86 755 33966678
Fax: 86 755 33966700

Pulse North China

Room 2704/2705
Super Ocean Finance Ctr.
2067 Yan An Rd. West
Shanghai 200336
China

Tel: 86 21 62787060
Fax: 86 2162786973

Pulse South Asia

135 Joo Seng Rd.
#03-02
PM Industrial Bldg.
Singapore 368363

Tel: 65 6287 8998
Fax: 65 6287 8998

Pulse North Asia

3F, No. 198
Zhongyuan Rd.
Zhongli City
Taoyuan County 320
Taiwan R. O. C.

Tel: 886 3 4356768
Fax: FRE 886 3 4356820
Pulse: 886 3 4356823

Performance warranty of products offered on this data sheet is limited to the parameters specified. Data is subject to change without notice. Other brand and product names mentioned herein may be trademarks or registered trademarks of their respective owners.

© Copyright, 2010 Pulse Engineering, Inc. All rights reserved.

www.pulseeng.com