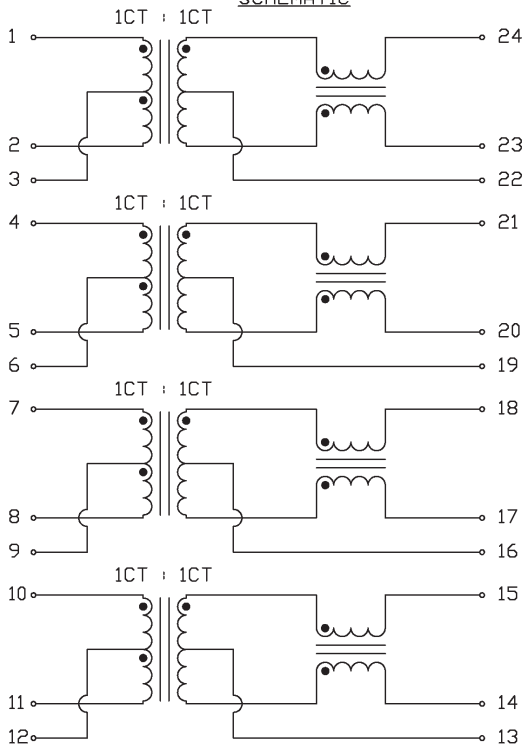


THE INFORMATION CONTAINED HEREIN IS CONSIDERED 'PROPRIETARY' TO BEL FUSE INC. AND SHALL NOT BE COPIED, REPRODUCED OR DISCLOSED WITHOUT THE WRITTEN APPROVAL OF BEL FUSE INC.



SCHEMATIC



ELECTRICAL CHARACTERISTICS @25°C

URNS RATIO	1CT : 1CT
PHASE	1 TO 24, 4 TO 21, 7 TO 18, 10 TO 15 IN PHASE
OCL :	350uH MIN. AT 100kHz, 100mV (1-2), (4-5), (7-8), (10-11) WITH 8mA DC BIAS, FROM 0 -70°C
INSERTION LOSS	1.0dB MAX. @ 1MHz TO 100MHz 1.5dB MAX. @ 125MHz
RETURN LOSS	18dB MIN. @ 1-30MHz MEASURED UNDER A 100 Ω I/O 15dB MIN. @ 60MHz 12dB MIN. @ 80MHz 10dB MIN. @ 100MHz
CROSSTALK	10-100 MHz 35 dB MIN.
COMMON TO COMMON REJECTION	30 dB MIN. AT 100kHz TO 155MHz
HIPOT	PER HAND-WORK-03

ORIGINATED BY HD	DATE 11-02-05	TITLE ELECTRICAL SPECIFICATION S558-5999-AM-F	PART NO. / DRAWING NO. X5585999AM-F	STANDARD DIM. TOL. IN INCH	[ ] METRIC DIM. AS REFERENCE	 COMPONENTS AS A CONNECTED PLANET
DRAWN BY DQ Chen	DATE 11-02-05		FILE NAME X5585999AMFA.DWG	.X .XX .XXX	UNIT : INCH [mm] SCALE : N/A	

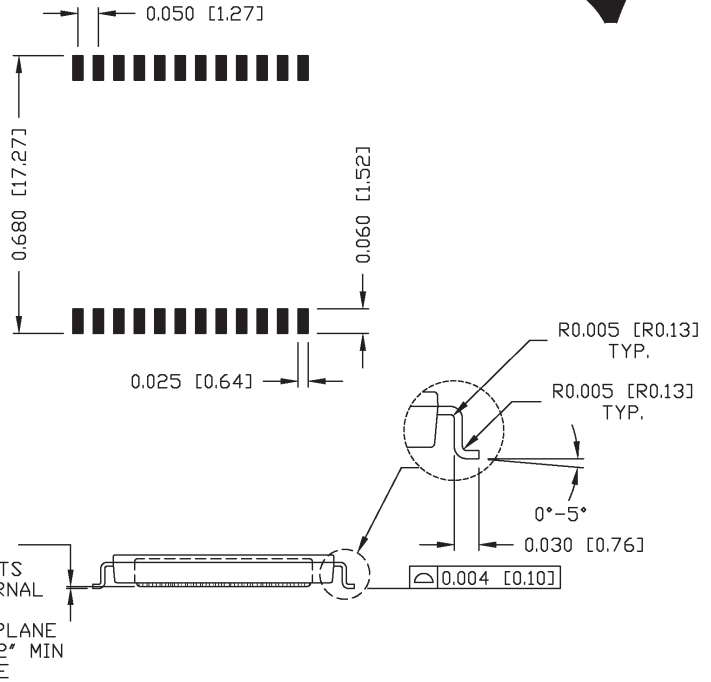
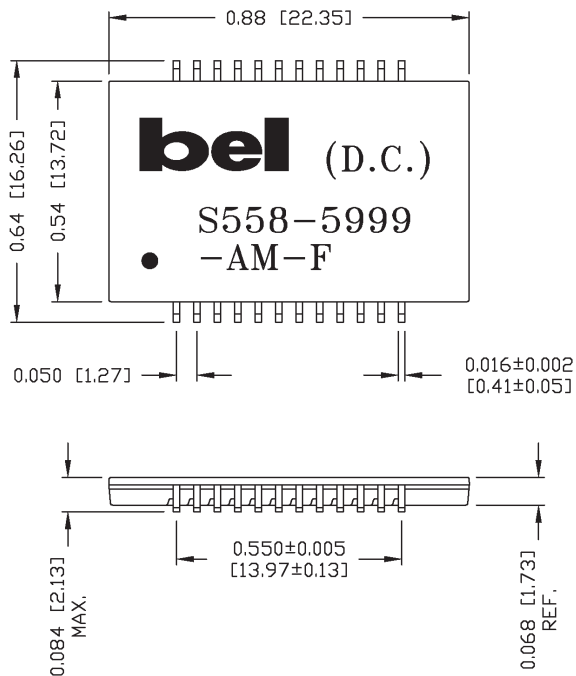
DC002(2)032305

This document is electronically generated. This is a controlled copy if used internally

THE INFORMATION CONTAINED HEREIN IS CONSIDERED 'PROPRIETARY' TO BEL FUSE INC. AND SHALL NOT BE COPIED, REPRODUCED OR DISCLOSED WITHOUT THE WRITTEN APPROVAL OF BEL FUSE INC.



SUGGESTED PCB PAD LAYOUT



- NOTES:  
 1. STANDARD MARKING REFER TO DDC. HAND-WORK-04.  
 2. PACKAGE CODE: "RJS001".

ORIGINATED BY	DATE	TITLE	PART NO. / DRAWING NO.	STANDARD DIM. TOL. IN INCH	[ ] METRIC DIM. AS REFERENCE		 COMPONENTS ARE CONNECTED TO SEATING PLANE
HD	11-02-05	MECHANICAL DRAWING S558-5999-AM-F	X5585999AM-F	.X	UNIT : INCH [mm]	REV. : A	
DRAWN BY	DATE		FILE NAME	.XX ±0.01	SCALE : N/A	SIZE : A4	
DQ Chen	11-02-05	X5585999AMFA.DWG	.XXX ±0.005	SCALE : N/A	SIZE : A4	PAGE : 3	

DC002(2)082805

This document is electronically generated. This is a controlled copy if used internally