

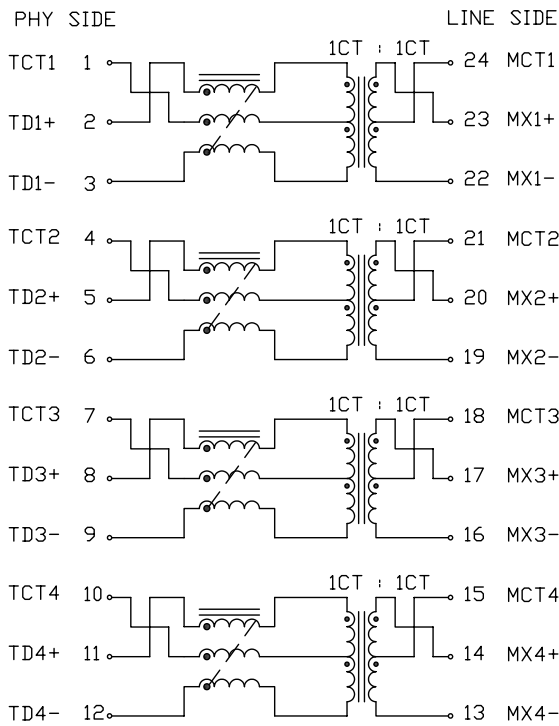
THE INFORMATION CONTAINED HEREIN IS CONSIDERED "PROPRIETARY" TO BEL FUSE INC. AND SHALL NOT BE COPIED, REPRODUCED OR DISCLOSED WITHOUT THE WRITTEN APPROVAL OF BEL FUSE INC.

PRELIMINARY

ELECTRICAL CHARACTERISTICS @25°C



SCHEMATIC



TURNS RATIO  
 (2-1-3) : (23-24-22) 1CT : 1CT ±2%  
 (5-4-6) : (20-21-19) 1CT : 1CT ±2%  
 (8-7-9) : (17-18-16) 1CT : 1CT ±2%  
 (11-10-12) : (14-15-13) 1CT : 1CT ±2%

OCL 100kHz, 100mV  
 -40°C TO +85°C 350uH MIN WITH 11mA DC BIAS  
 -40°C TO +85°C 120uH MIN WITH 19mA DC BIAS

INTERWINDING CAPACITANCE, Cw/w @1MHz, 20mV  
 30pF MAX

INSERTION LOSS  
 0.3MHz - 1MHz 1.1dB MAX  
 1MHz - 65MHz 0.8dB MAX  
 65MHz - 100MHz 1.0dB MAX  
 100MHz - 125MHz 1.2dB MAX

RETURN LOSS @100OHM  
 0.5MHz - 40MHz 18dB MIN  
 40MHz - 100MHz 12-20LOG(f/80MHz)dB MIN

CROSSTALK  
 0.3MHz - 100MHz 33-20LOG(f/100MHz)dB MIN

CM TO CM REJ  
 0.3MHz - 100MHz 30dB MIN

CM TO DM REJ  
 0.3MHz - 100MHz 35dB MIN

BALANCED DC LINE CURRENT 720mA MAX @57VDC CONTINUOUS  
 1.2A MAX @57VDC FOR 200MS

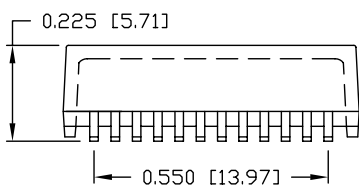
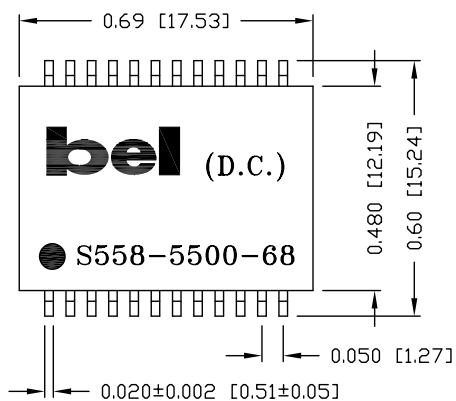
HIPDT 1500 Vrms

ORIGINATED BY	DATE	TITLE	PART NO. / DRAWING NO.	STANDARD DIM.	[ ] METRIC DIM. AS REFERENCE	 COMPONENTS OF A COMPLETE PLANET	
CHAN CH	03-06-09	ELECTRICAL SPECIFICATION	S558-5500-68	TOL. IN INCH	UNIT : INCH [mm]		REV. : PB
DRAWN BY	DATE		FILE NAME	.X	SCALE : N/A		SIZE : A4
YH Lai	03-06-09		S558550068PB.DWG	.XX			PAGE : 2
				.XXX			

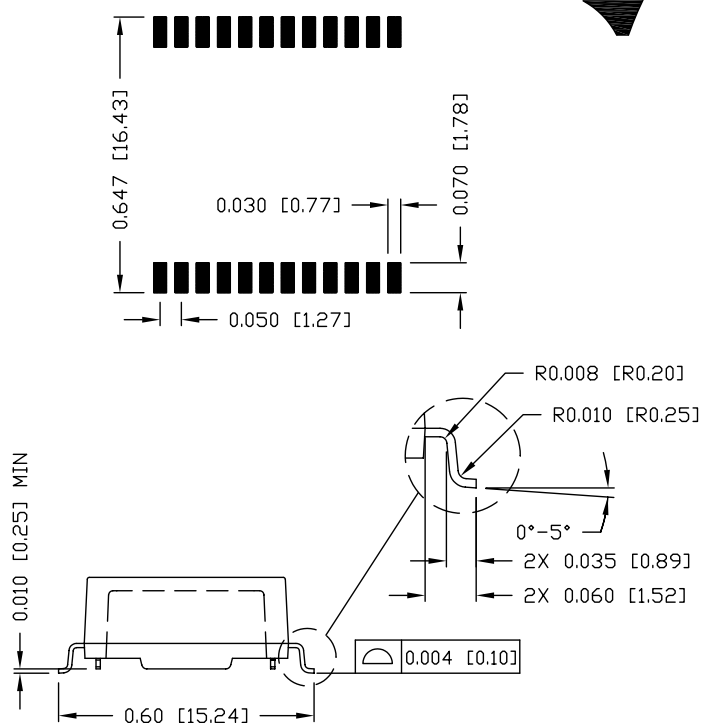
This document is electronically generated. This is a controlled copy if used internally

THE INFORMATION CONTAINED HEREIN IS CONSIDERED "PROPRIETARY" TO BEL FUSE INC. AND SHALL NOT BE COPIED, REPRODUCED OR DISCLOSED WITHOUT THE WRITTEN APPROVAL OF BEL FUSE INC.

PRELIMINARY



SUGGESTED PCB PAD LAYOUT



NOTES:

1. STANDARD MARKING REFER TO DOC. HAND-WORK-04.
2. PACKAGE CODE: "RQS001".

ORIGINATED BY LAWRENCE TSANG	DATE 03-06-09	TITLE MECHANICAL OUTLINE	PART NO. / DRAWING NO. S558-5500-68	STANDARD DIM. TOL. IN INCH		[ ] METRIC DIM. AS REFERENCE	REV. : PB	bel COMPONENTS OF A CONTROLLED PLANET
	DRAWN BY YH Lai		DATE 03-06-09	FILE NAME S558550068PB.DWG	.X .XX .XXX	±0.01 ±0.005		

This document is electronically generated. This is a controlled copy if used internally