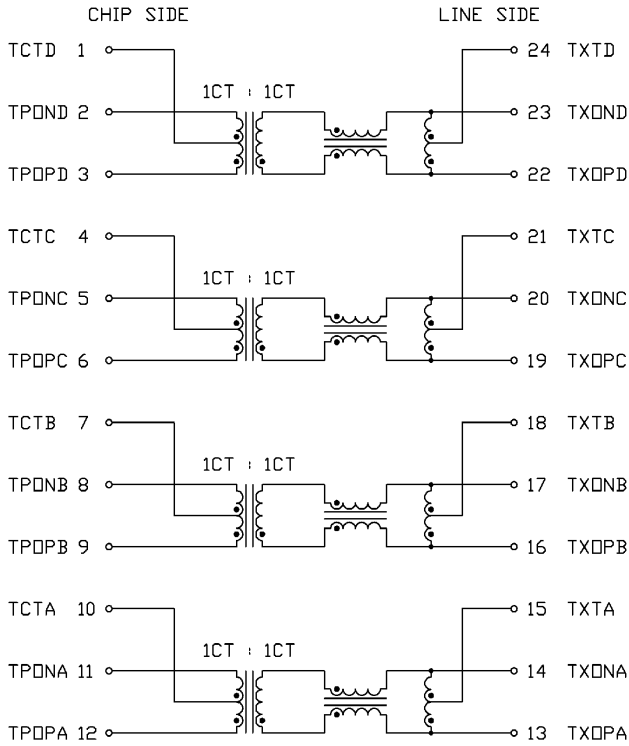


THE INFORMATION CONTAINED HEREIN IS CONSIDERED "PROPRIETARY" TO BEL FUSE INC. AND SHALL NOT BE COPIED, REPRODUCED OR DISCLOSED WITHOUT THE WRITTEN APPROVAL OF BEL FUSE INC.



**SCHEMATIC**



**ELECTRICAL CHARACTERISTICS @25°C**

<b>URNS RATIO</b>	
(3-1-2) : (22-24-23)	1CT : 1CT
(6-4-5) : (19-21-20)	1CT : 1CT
(9-7-8) : (16-18-17)	1CT : 1CT
(12-10-11) : (13-15-14)	1CT : 1CT
<b>PHASE</b>	PER DOT CONVENTION
<b>OCL</b>	350μH MIN.
PIN (23-22), (20-19)	@100kHz, 100mV
PIN (17-16), (14-13)	WITH 8mA DC BIAS
<b>INSERTION LOSS</b>	1.1dB MAX. @0.1 TO 1MHz
	1.0dB MAX. @1 TO 80MHz
	2.0dB MAX. @125MHz
<b>RETURN LOSS</b>	18dB MIN. @0.5 TO 40MHz
UNDER 100 OHM ±15% ENVIRONMENT	12-20LOG (F/80MHz) MIN.
	@40 TO 100 MHz
<b>COMMON TO COMMON REJECTION</b>	30dB MIN. @1 TO 100 MHz
<b>CROSSTALK</b>	33-20LOG (F/100MHz) dB MIN.
	@ 1 TO 100 MHz
<b>HIPDT</b>	PER HAND-WORK-03

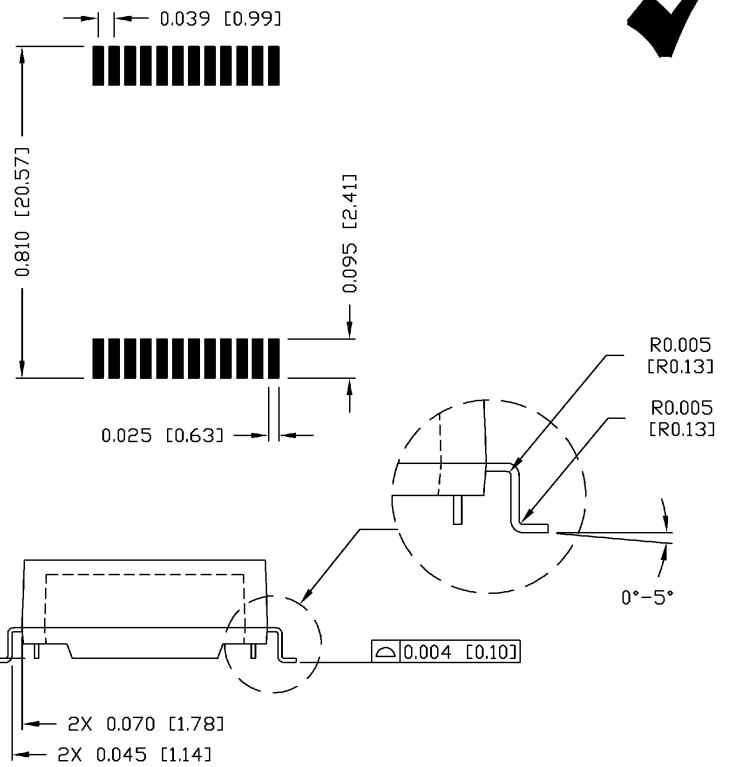
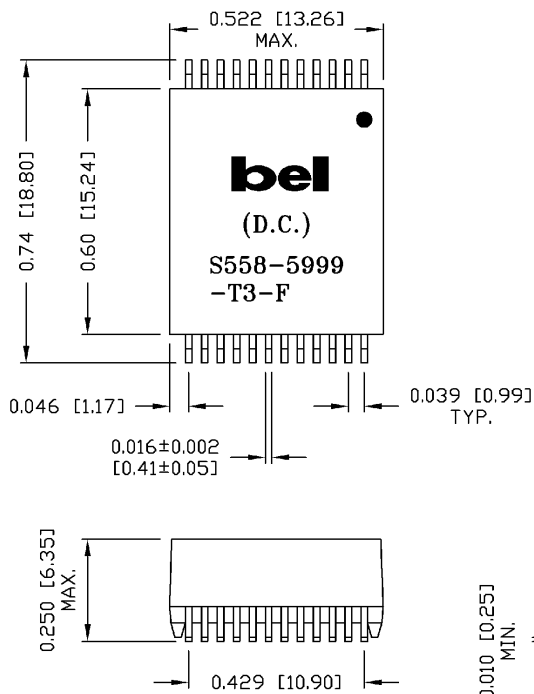
<b>ORIGINATED BY</b>	<b>DATE</b>	<b>TITLE</b>	<b>PART NO. / DRAWING NO.</b>	<b>STANDARD DIM.</b>	<b>[ ] METRIC DIM. AS REFERENCE</b>	 <small>COMPONENTS ARE CONNECTED PLANET</small>	
CHAN CH	08-15-07	ELECTRICAL SPECIFICATION	X5585999T3-F	TOL. IN INCH	UNIT : INCH [mm]		REV. : A
<b>DRAWN BY</b>	<b>DATE</b>		<b>FILE NAME</b>	.X	SCALE : N/A		SIZE : A4
DQ Chen	08-15-07	S558-5999-T3-F	X5585999T3FA.DWG	.XX		PAGE : 2	
				.XXX			

DC002/21032305

This document is electronically generated. This is a controlled copy if used internally

THE INFORMATION CONTAINED HEREIN IS CONSIDERED 'PROPRIETARY' TO BEL FUSE INC. AND SHALL NOT BE COPIED, REPRODUCED OR DISCLOSED WITHOUT THE WRITTEN APPROVAL OF BEL FUSE INC.

SUGGESTED PCB PAD LAYOUT



NOTES:

- STANDARD MARKING REFER TO DDC. HAND-WORK-04.
- PACKAGE CODE: "QTS001".

ORIGINATED BY	DATE	TITLE	PART NO. / DRAWING NO.	STANDARD DIM. TOL. IN INCH	[ ] METRIC DIM. AS REFERENCE	 COMPONENTS <sup>FOR</sup> A CONNECTED PLANET	
Lawrence	08-15-07	MECHANICAL DRAWING S558-5999-T3-F	X5585999T3-F	.X	UNIT : INCH [mm]		REV. : A
DRAWN BY	DATE		FILE NAME	.XX	SCALE : N/A		SIZE : A4
DQ Chen	08-15-07	X5585999T3FA.DWG	.XXX	±0.01 ±0.005	PAGE : 3		

DC002(2)032305

This document is electronically generated. This is a controlled copy if used internally