

MOSFET GATE DRIVE TRANSFORMERS



- International safety construction, VDE approved
- 3750V_{RMS} gate to drive winding test
- Useful operating frequency from 20kHz to 100kHz

Electrical Specifications @ 25°C — Operating Temperature 0°C to 70°C

Part Number	Turns Ratio (±5%)	Inductance 1V _{RMS} 1 kHz Term 1-2 (μH MIN)	Leakage ¹ Inductance Term 1-2 (μH MAX)	DCR Drive Winding (Ω MAX)	DCR Gate Winding (Ω MAX)	C _{ww} Drive To Gate (pf MAX)	C _{ww} Gate To Gate (pf MAX)	Typical Operating Frequency (kHz)
PE-63385NL	1:1	1500	4.0	0.40	0.75	50	NA	20-100
PE-63387NL*	1:1:1	1500	4.0	0.40	0.75	50	130	20-100
PE-63386NL	1:1.5	1500	4.0	0.40	2.50	50	NA	20-100
PE-63388NL	1:1.5:1.5	1500	4.0	0.40	2.50	50	130	20-100

*NOTE: Also Available with a U-L B1 Insulation (1446C) system, tested to 4400Vrms for 1 minute as PE-68448NL.

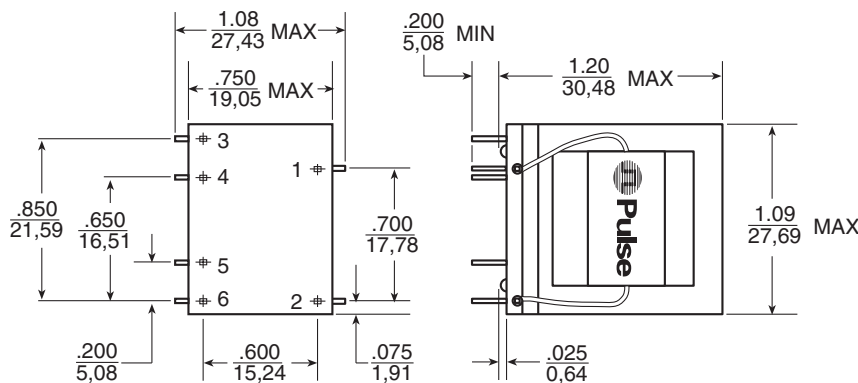
Maximum Ratings

Rating	Sym	PE-63385 PE-63386	PE-63387 PE-63388	Unit
Drive Excitation, Unipolar	ET _U ⁶	200	320	V-μs
Drive Excitation, Bipolar	ET _B ⁶	400	640	V-μs
Secondary RMS Current	I _{SR} ⁷	640	500	ma
Operating & Storage Temp.	T _{OP} , T _{STG}	105	105	°C

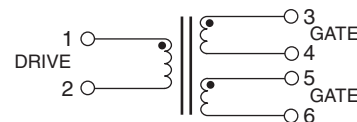
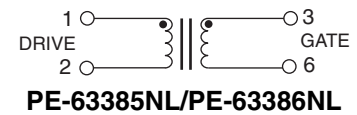
Dielectric Strength

Test Between	RMS Test Volts 60Hz, 1 Minute Hold
Gate-Drive	3750
Gate-Gate	1500
Gate-Core	2000
Drive-Core	1750

Mechanical



Schematics



- NOTES:**
1. Measured with secondaries shorted
 2. Pins .025/0,64 square solderable
 3. Unused pins not provided
 4. Pin numbers not marked on part
 5. Mounting header flammability rating: UL-94V0
 6. At 2480 Gauss
 7. At 200 CM/Amp

Dimensions: $\frac{\text{Inches}}{\text{mm}}$
 Unless otherwise specified,
 all tolerances are $\pm \frac{.010}{0,25}$

For More Information:

Pulse Worldwide Headquarters 12220 World Trade Drive San Diego, CA 92128 U.S.A. www.pulseeng.com TEL: 858 674 8100 FAX: 858 674 8262	Pulse Northern Europe 3 Huxley Road Surrey Research Park Guildford, Surrey GU2 5RE United Kingdom TEL: 44 1483 401700 FAX: 44 1483 401701	Pulse Southern Europe Zone Industrielle F-39270 Orgelet France TEL: 33 3 84 35 04 04 FAX: 33 3 84 25 46 41	Pulse China Headquarters No. 1 Industrial District Changan, Dongguan China TEL: 86 769 5538070 FAX: 86 769 5538870	Pulse North China Room 1002 No. 819 Nanjing West Rd Shanghai China TEL: 86 21 32181071 FAX: 86 21 32181396	Pulse South Asia 150 Kampong Ampat #07-01/02 KA Centre Singapore 368324 TEL: 65 6287 8998 FAX: 65 6280 0080	Pulse North Asia 3F-4, No. 81, Sec. 1 Hsin Tai Wu Road Hsi-Chih Taipei Hsien Taiwan TEL: 886 2 26980228 FAX: 886 2 26980948
---	--	---	---	--	--	---

Performance warranty of products offered on this data sheet is limited to the parameters specified. Data is subject to change without notice. Other brand and product names mentioned herein may be trademarks or registered trademarks of their respective owners.

© Copyright, 2005. Pulse Engineering, Inc. All rights reserved.

www.pulseeng.com

P507.B (12/05)