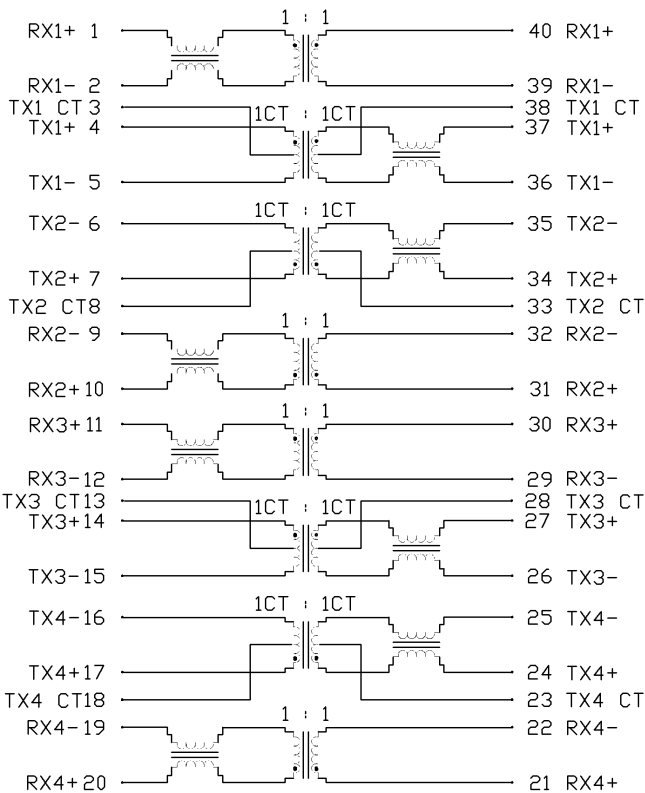


THE INFORMATION CONTAINED HEREIN IS CONSIDERED "PROPRIETARY" TO BEL FUSE INC. AND SHALL NOT BE COPIED, REPRODUCED OR DISCLOSED WITHOUT THE WRITTEN APPROVAL OF BEL FUSE INC.



SCHEMATIC



ELECTRICAL CHARACTERISTICS @ 25°C

<p>URNS RATIO Tx 1CT : 1CT Rx 1 : 1</p> <p>POLARITY PER DOT CONVENTION</p> <p>DCL 350µH MIN @100kHz, 100mV WITH 8mA DC BIAS</p> <p>INSERTION LOSS 1.0dB MAX @300kHz TO 80MHz</p> <p>RETURN LOSS MEASURED UNDER 100Ω ENVIRONMENT 18.0dB MIN @1MHz TO 30MHz 13.5dB MIN @30MHz TO 60MHz 12.0dB MIN @60MHz TO 80MHz</p> <p>COMMON TO DIFFERENTIAL MODE REJECTION 40dB MIN @0.3MHz TO 100MHz</p> <p>COMMON TO COMMON MODE REJECTION 35dB MIN @0.3MHz TO 100MHz</p> <p>CROSSSTALK 35dB MIN @0.3MHz TO 100MHz</p> <p>HIPOT PER HAND-WORK-03</p> <p>OPERATING TEMPERATURE 0°C TO 70°C</p>

ORIGINATED BY CHAN CH	DATE 06-04-08	TITLE ELECTRICAL SPECIFICATION S558-5999B47-F	PART NO. / DRAWING NO. X5585999B47F	STANDARD DIM. TOL. IN INCH	[] METRIC DIM. AS REFERENCE
DRAWN BY YH Lai	DATE 06-04-08		FILE NAME X5585999B47FA.DWG	.X .XX .XXX	UNIT : INCH [mm] SCALE : N/A

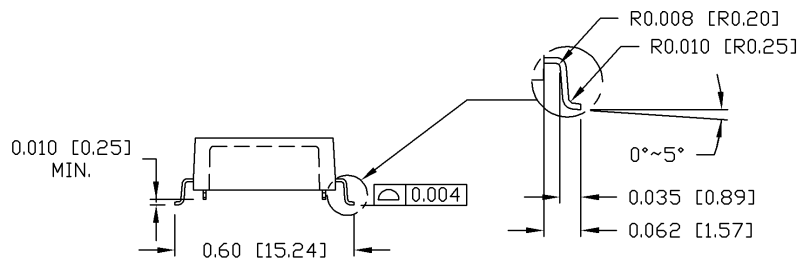
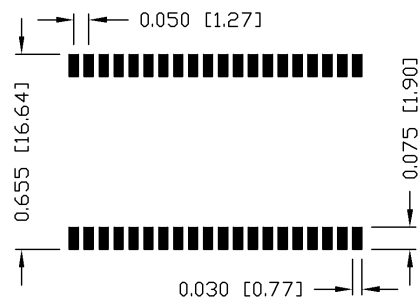
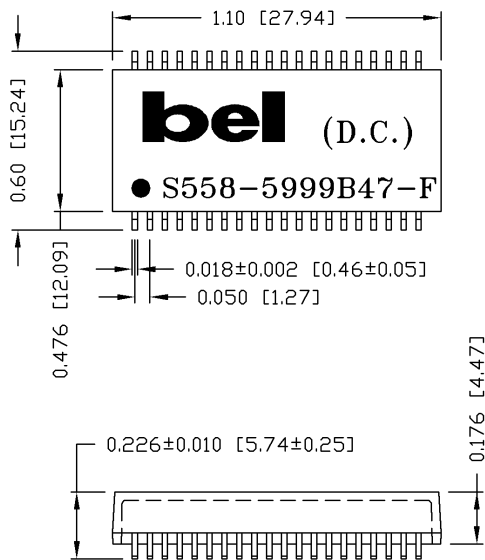


DC002(2)032305 This document is electronically generated. This is a controlled copy if used internally

THE INFORMATION CONTAINED HEREIN IS CONSIDERED "PROPRIETARY" TO BEL FUSE INC. AND SHALL NOT BE COPIED, REPRODUCED OR DISCLOSED WITHOUT THE WRITTEN APPROVAL OF BEL FUSE INC.



SUGGESTED PCB PAD LAYOUT



NOTES:

- STANDARD MARKING REFER TO DOC. HAND-WORK-04.
- PACKAGE CODE: 'RRS001'.

ORIGINATED BY	DATE	TITLE	PART NO. / DRAWING NO.	STANDARD DIM. TOL. IN INCH	[] METRIC DIM. AS REFERENCE	bel COMPONENTS FOR A CONNECTED PLANET
CHAN CH	06-04-08	MECHANICAL OUTLINE S558-5999B47-F	X5585999B47F	.X	UNIT : INCH [mm]	
DRAWN BY	DATE		FILE NAME	.XX	±0.01	SCALE : N/A
YH Lai	06-04-08		X5585999B47FA.DWG	.XXX	±0.005	PAGE : 3

This document is electronically generated. This is a controlled copy if used internally