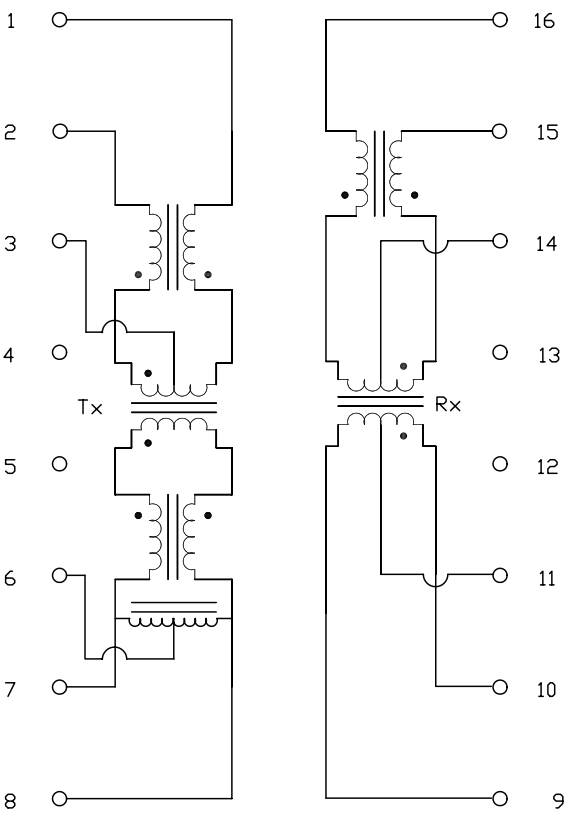


THE INFORMATION CONTAINED HEREIN IS CONSIDERED PROPRIETARY TO BEL FUSE INC. AND SHALL NOT BE COPIED, REPRODUCED OR DISCLOSED WITHOUT THE WRITTEN APPROVAL OF BEL FUSE INC.



ELECTRICAL CHARACTERISTICS @ 25°C

SCHEMATIC



TURNS RATIO
 (2-3-1):(7-6-8) Tx 1cT : 1cT
 (15-14-16):(10-11-9) Rx 1cT : 1cT

 PHASING 2 TO 7 AND 15 TO 10
 PER DOT CONVENTION

 OCL 350 μH MIN. AT 100kHz
 (1-2) OPEN 8 & 7 0.1V_{rms} WITH 8mA D.C. BIAS
 (15-16) OPEN 10 & 9

 INSERTION LOSS 1.0dB MAX AT 100kHz TO 100MHz

 RETURN LOSS
 MEASURED UNDER A 100 Ω
 ENVIRONMENT

 CMDR 40dB MIN AT 100kHz TO 155MHz
 CMRR 30dB MIN AT 100kHz TO 155MHz
 CROSSTALK 30dB MIN AT 100kHz TO 155MHz
 HIPOT PER HAND-WORK-03

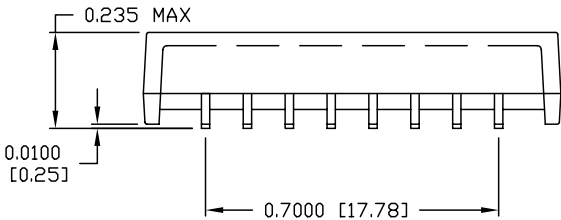
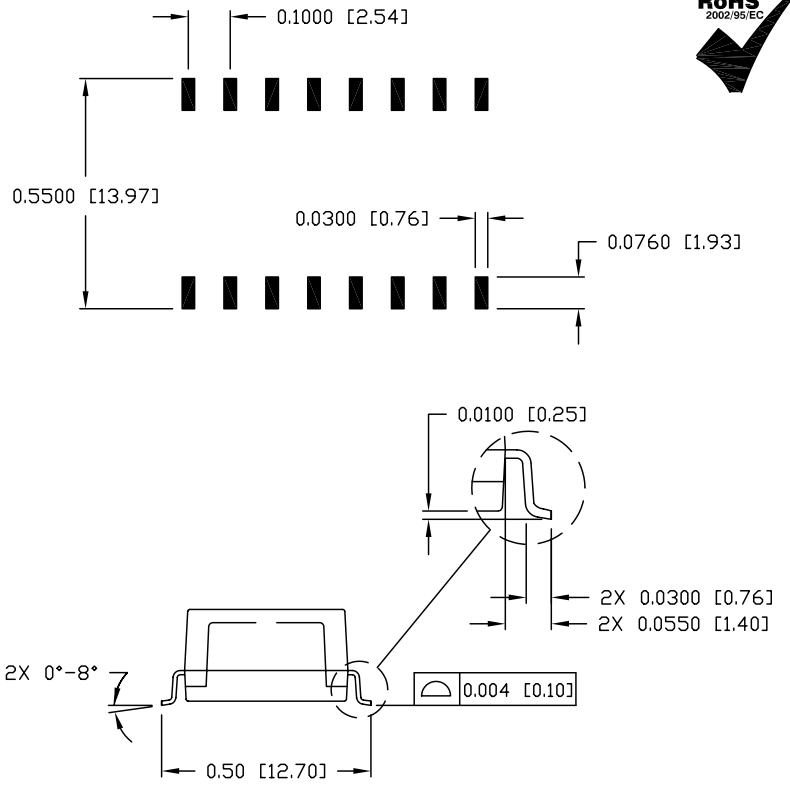
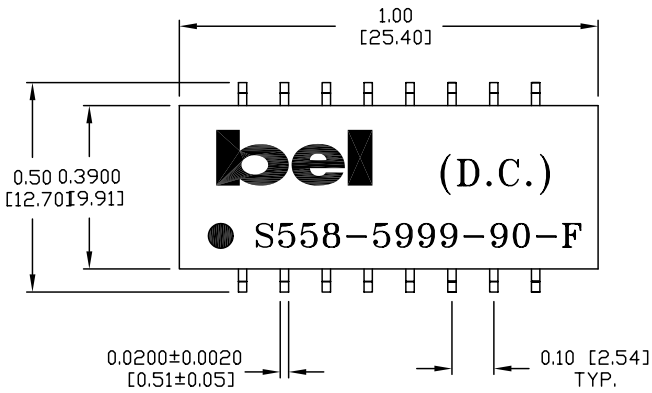
FREQ.	2MHz	10MHz	30MHz	45MHz	60MHz	80MHz
MIN.	20dB	20dB	19dB	16dB	12dB	12dB

ORIGINATED BY H	DATE 03-31-05	TITLE ELECTRICAL SPECIFICATION S558-5999-90-F	PART NO. / DRAWING NO. S558-5999-90-F	STANDARD DIM. TOL. IN INCH .X	[] METRIC DIM. AS REFERENCE UNIT : INCH [mm]	REV. : A	 COMPONENTS FOR A CONNECTED PLANET
DRAWN BY JQ Chen	DATE 03-31-05		FILE NAME	.XX	SCALE : N/A	SIZE : A4	
002(2)122004				.XXX		PAGE : 2	

This document is electronically generated. This is a controlled copy if used internally

THE INFORMATION CONTAINED HEREIN IS CONSIDERED 'PROPRIETARY' TO BEL FUSE INC. AND SHALL NOT BE COPIED, REPRODUCED OR DISCLOSED WITHOUT THE WRITTEN APPROVAL OF BEL FUSE INC.

SUGGESTED PCB PAD LAYOUT



- NOTES:
 1. STANDARD MARKING REFER TO DOC. HAND-WORK-04.
 2. PACKAGE CODE: "RNS001".

ORIGINATED BY HQ	DATE 03-31-05	TITLE MECHANICAL DRAWING	PART NO. / DRAWING NO. S558-5999-90-F	STANDARD DIM. TOL. IN INCH .X	[] METRIC DIM. AS REFERENCE UNIT : INCH [mm]	REV. : A	
DRAWN BY DQ Chen	DATE 03-31-05	S558-5999-90-F	FILE NAME	.XX ±0.01	SCALE : N/A	SIZE : A4	
				.XXX ±0.005		PAGE : 3	