

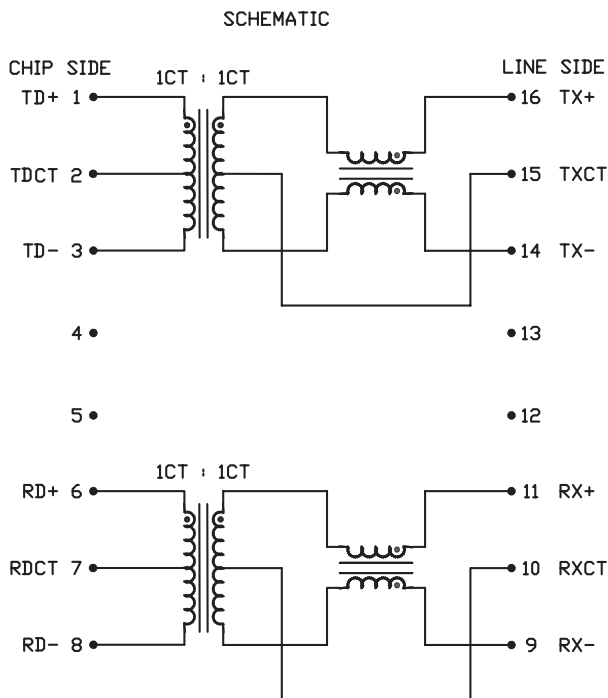
## 10/100BASE-T LAN MAGNETICS

### S558-5999-U7-F Single Port Transformer Module



- Meets all IEEE 802.3 standards including 350 $\mu$ H with 8mA bias
- Operating temperature range -40° to +85° C

#### ELECTRICAL CHARACTERISTICS @ 25°C



#### URNS RATIO

PIN 1-2-3 : 16-15-14

PIN 6-7-8 : 11-10-9

OCL @ 100kHz, 100mVrms W/8mA DC BIAS

Tx PIN 1-3 OPEN 16-14

Rx PIN 6-8 OPEN 11-9

LEAKAGE INDUCTANCE

Tx PIN 1-3 SHORT 16-14

Rx PIN 6-8 SHORT 11-9

INTERWINDING CAPACITANCE

Tx PIN 1-3 TO 16-14

Rx PIN 6-8 TO 11-9

DCR

PIN (1-3) j (6-8)

INSERTION LOSS

100 kHz TO 80 MHz

RETURN LOSS

100 kHz - 30 MHz

30 MHz - 60 MHz

60 MHz - 80 MHz

COMMON TO COMMON MODE REJ.

100 kHz - 100 MHz

COMMON TO DIFFERENTIAL MODE REJ.

100 kHz - 100 MHz

CROSSTALK

100 kHz - 100 MHz

HIPOT

1CT : 1CT

1CT : 1CT

350  $\mu$ H MIN.

0.30  $\mu$ H MAX.

30 pF MAX.

1.1  $\Omega$ m MAX.

1.0 dB MAX.

18 dB MIN.

18-20 LOG (F/30MHz) MIN.

12 dB MIN.

40 dB TYP.

40 dB MIN.

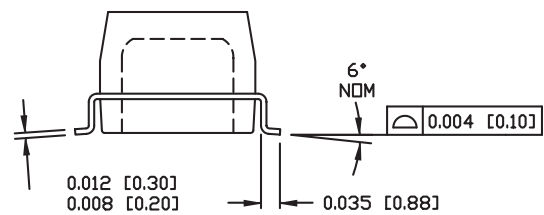
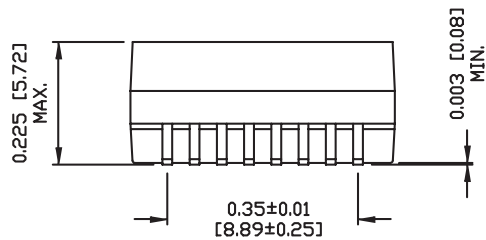
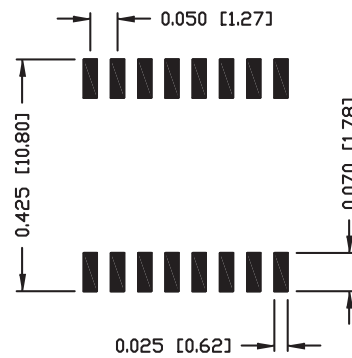
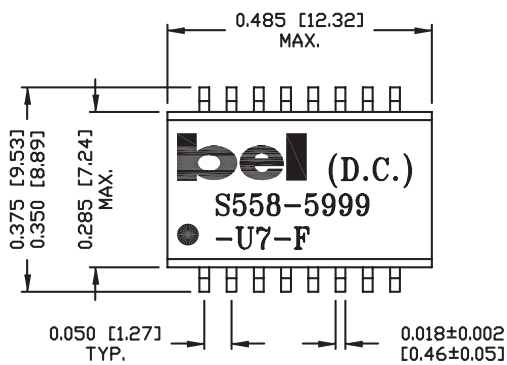
40 dB MIN.

1500 Vrms

**10/100BASE-T LAN MAGNETICS**  
**S558-5999-U7-F Single Port Transformer Module**



SUGGESTED PCB PAD LAYOUT



NOTES:

1. STANDARD MARKING REFER TO DOC. HAND-WORK-04.
2. PACKAGE CODE: 'QBS001'.