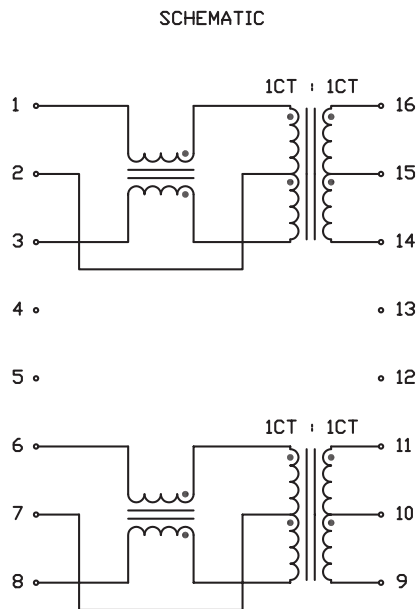


10/100BASE-T LAN MAGNETICS
S558-5999-T5-F Extended Temperature Transformer Module



ELECTRICAL CHARACTERISTICS @25°C



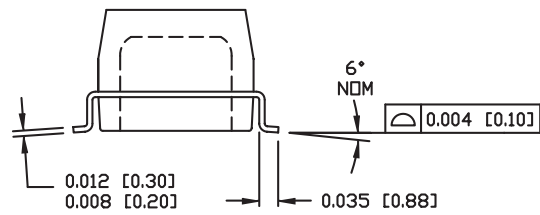
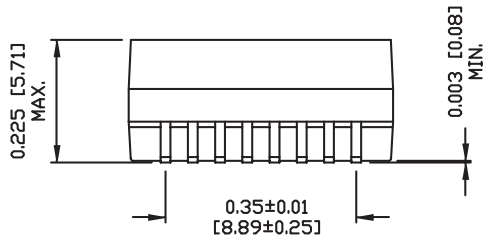
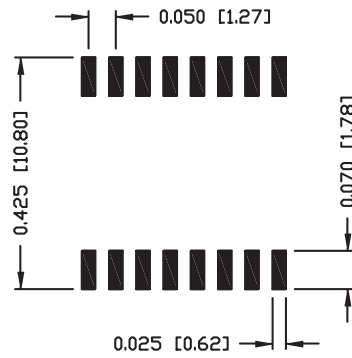
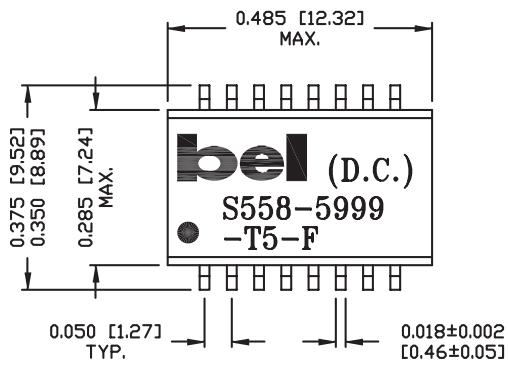
Operating temperature -40° to +85° C

<p>URNS RATIO Tx (1&2&3) : (16&15&14) Rx (6&7&8) : (11&10&9)</p> <p>PHASING</p> <p>DCL (-40°C - 85°C) @ 100kHz, 100mV W/8mA DC BIAS TX (16&14) OPEN 1&3 RX (11&9) OPEN 6&8</p> <p>LEAKAGE INDUCTANCE, Le (0°C - 70°C) MEASURED WITH 20mVrms @ 1MHz TX (16&14) with 1&2&3 SHORTED RX (11&9) with 6&7&8 SHORTED</p> <p>INTERWINDING CAPACITANCE, Cw/w TX (1&3 to 16&14) RX (6&8 to 11&9)</p> <p>DCR WINDING RESISTANCE (1-3) ; (6-8) (16-14) ; (11-9)</p> <p>INSERTION LOSS @ 100kHz TO 100MHz</p> <p>RETURN LOSS (UNDER 100 OHMS ±15% ENVIRONMENT) @ 100kHz TO 30MHz @ 30 TO 60MHz @ 60 TO 80MHz</p> <p>COMMON TO COMMON MODE ATTENUATION @ 0.1 TO 100MHz</p> <p>CROSSTALK @ 1MHz @ 30MHz @ 60MHz @ 100MHz</p> <p>COMMON TO DIFFERENTIAL MODE ATTENUATION @ 0.1 TO 100MHz</p> <p>HIPDT</p>	<p>1CT : 1CT 1CT : 1CT</p> <p>16 TO 1 ; 14 TO 3 11 TO 6 ; 9 TO 8</p> <p>350uH MIN. 350uH MIN.</p> <p>0.35uH MAX. 0.35uH MAX.</p> <p>30pF MAX. 30pF MAX.</p> <p>2.0 OHM MAX. 1.0 OHM MAX.</p> <p>1.0dB MAX.</p> <p>18dB MIN. 18-20 LOG (F/30MHz) MIN. 12dB MIN.</p> <p>30dB MIN.</p> <p>65dB MIN. 55dB MIN. 45dB MIN. 35dB MIN.</p> <p>40dB MIN.</p> <p>PER HAND-WORK-03</p>
---	--

10/100BASE-T LAN MAGNETICS
S558-5999-T5-F Extended Temperature Transformer Module



SUGGESTED PCB PAD LAYOUT



NOTES:

1. STANDARD MARKING REFER TO DOC. HAND-WORK-04.
2. PACKAGE CODE: *QBS001*.