

THE INFORMATION CONTAINED HEREIN IS CONSIDERED "PROPRIETARY" TO BEL FUSE INC. AND SHALL NOT BE COPIED, REPRODUCED OR DISCLOSED WITHOUT THE WRITTEN APPROVAL OF BEL FUSE INC.



ELECTRICAL PARAMETERS (@25°C)

NOMINAL TURNS RATIO:
(1-5) : (9-7) 4.5 : 1
CONNECT TERMINAL 2 TO 4

DC RESISTANCE:
(9-7) 0.60 Ω MAX
(1-4) 1.60 Ω MAX
(2-5) 1.60 Ω MAX

INDUCTANCE @ 10 kHz, 0.1 Vrms:
(1-5) 3mH ±6%
CONNECT TERMINAL 2 TO 4

LEAKAGE INDUCTANCE:
(1-5) 25 μH MAX
CONNECT TERMINAL 2 TO 4 & 9 TO 7

INTERWINDING CAPACITANCE
BETWEEN 1 & 9 100pF MAX
CONNECT TERMINAL 2 TO 4

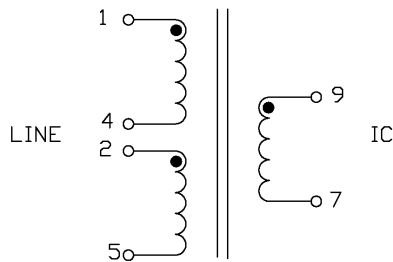
TOTAL HARMONIC DISTORTION:
3kHz, 1Vrms, 35 mA DC -78dB MAX

DIELECTRIC RATING:
BETWEEN (1-5) & (9-7) 1500 Vrms, 50Hz/60Hz

DESIGNED TO COMPLY WITH THE REQUIREMENTS OF UL1950 AND EN60950

OPERATING TEMPERATURE RANGE: -40°C to +85°C

SCHEMATIC



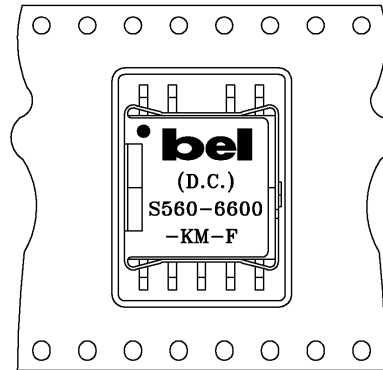
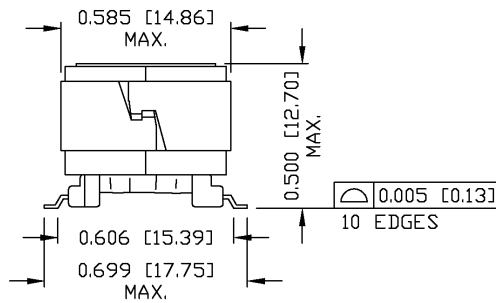
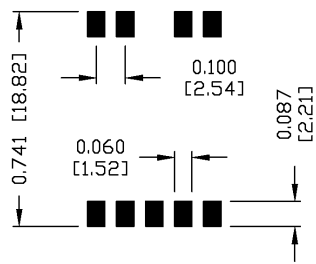
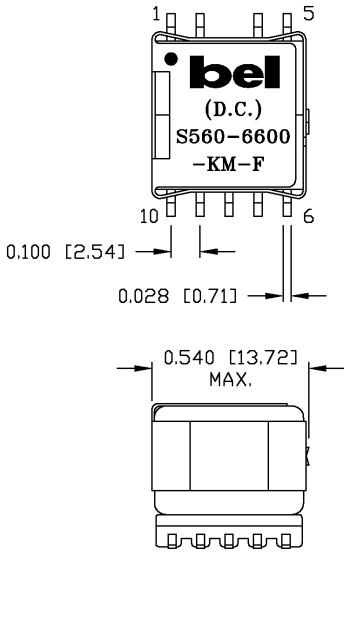
DRWN ZHENG	DATE 03-22-05	TITLE ELECTRICAL SPECIFICATION	PART NO. / DRAWING NO. S5606600KM-F	STANDARD DIM. TOL. IN INCH	[] METRIC DIM. AS REFERENCE	 COMPONENTS FOR A CONNECTED PLANET	
CHKD J.BERRY/KDT	DATE 03-22-05		FILE NAME S5606600KMFA.DWG	.X	UNIT : INCH [mm]		REV. : A
				.XX	SCALE : N/A		SIZE : A4
FORM NO. - ENG02082001				.XXX		PAGE : 2	

This document is electronically generated. This is a controlled copy if used internally

THE INFORMATION CONTAINED HEREIN IS CONSIDERED 'PROPRIETARY' TO BEL FUSE INC. AND SHALL NOT BE COPIED, REPRODUCED OR DISCLOSED WITHOUT THE WRITTEN APPROVAL OF BEL FUSE INC.



SUGGESTED PAD LAYOUT



USER FEED DIRECTION

ORIENTATION OF COMPONENT INSIDE POCKET

TAPE WIDTH	32MM
POCKET PITCH	24MM
QUANTITY OF COMPONENTS PER REEL	200
PLASTIC REEL OUTER DIAMETER	13 INCHES
PLASTIC REEL HUB DIAMETER	4 INCHES
COMPLY WITH EIA 481-2-A	

NOTES:

- STANDARD MARKING REFER TO DDC. HAND-WORK-04.
- PACKAGE CODE: "WCS003".

DRWN	DATE	TITLE
ZHENG	03-22-05	MECHANICAL DRAWING
CHKD	DATE	
MANC	03-22-05	

PART NO. / DRAWING NO.
S5606600KM-F
FILE NAME
S5606600KMFA.DWG

STANDARD DIM.	[] METRIC DIM. AS REFERENCE
TOL. IN INCH	UNIT : INCH [mm]
.X	REV. : A
.XX	SCALE : N/A
.XXX	SIZE : A4
	PAGE : 3

FORM NO. - ENG02082001



This document is electronically generated. This is a controlled copy if used internally