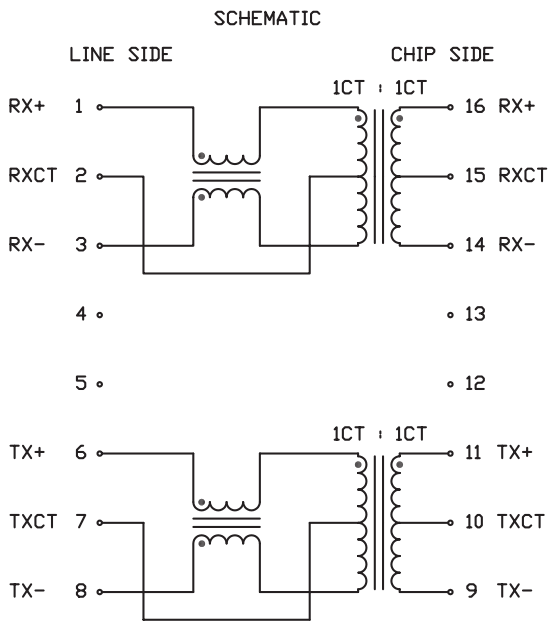


10/100BASE-T LAN MAGNETICS
S558-5999-T7-F Single Port Transformer Module



ELECTRICAL CHARACTERISTICS @25°C

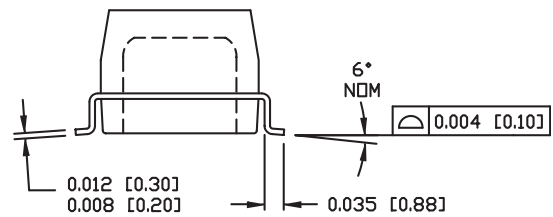
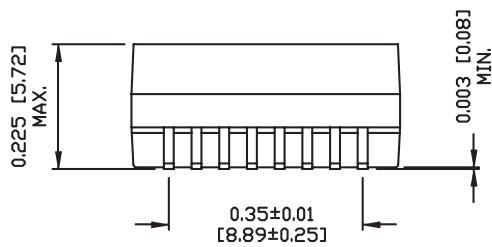
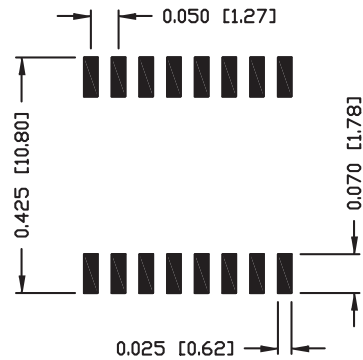
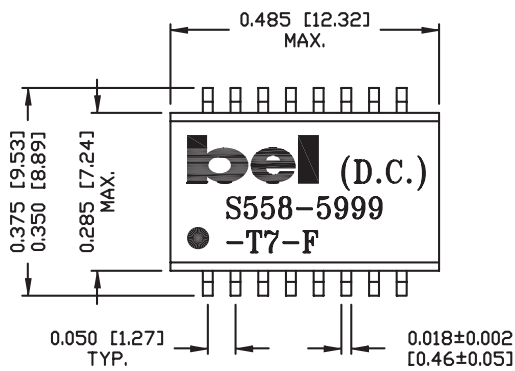


<p> URNS RATIO PIN 1-2-3 : 16-15-14 PIN 6-7-8 : 11-10-9 DCL @ 100kHz/100mVrms W/8mA DC BIAS PIN 16-14 11-9 LEAKAGE INDUCTANCE (Le) @ 1MHz, 20mV PIN 16-14 SHORT 1-3 PIN 11-9 SHORT 6-8 INTERWINDING CAPACITANCE (Cw/w) @ 1MHz, 20mV PIN 1-3 TO 16-14 PIN 6-8 TO 11-9 INSERTION LOSS 100kHz-100MHz RETURN LOSS @ 1MHz-30MHz @ 30-60MHz @ 60-80MHz CROSSTALK @ 100kHz-100MHz CM TO CM MODE REJ. @ 100kHz-100MHz CM TO DM MODE REJ. @ 100kHz-100MHz HIPOT </p>	<p> 1CT : 1CT 1CT : 1CT 350μH MIN. 300nH MAX. 30pF MAX. 1.0dB MAX. 18dB MIN. 18-20 LOG (F/30MHz) MIN. 12dB MIN. 35dB MIN. 30dB MIN. 40dB MIN. PER HAND-WORK-03 </p>
--	---

10/100BASE-T LAN MAGNETICS
S558-5999-T7-F Single Port Transformer Module



SUGGESTED PCB PAD LAYOUT



- NOTES:
 1. STANDARD MARKING REFER TO DOC. HAND-WORK-04.
 2. PACKAGE CODE: *QBS001*.