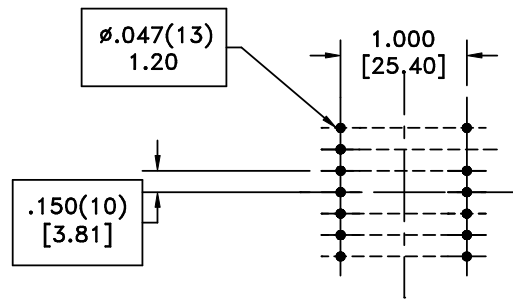
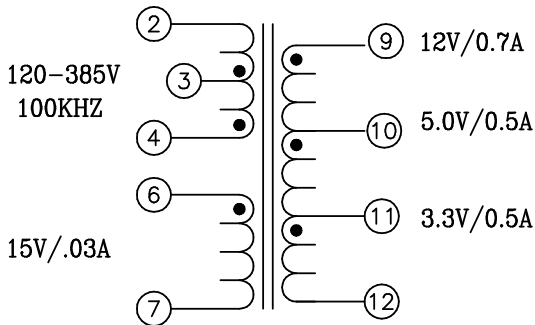
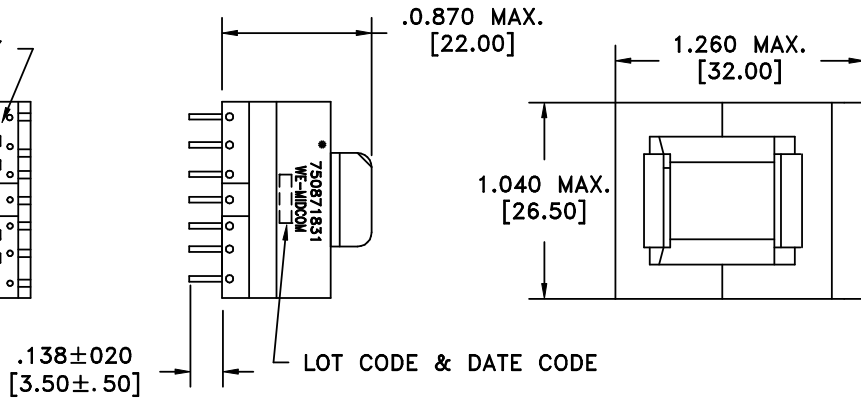
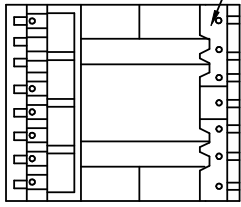


CUSTOMER TERMINAL	RoHS	LEAD(Pb)-FREE
Sn96%, Ag4%	Yes	Yes

TERM. NO.'s FOR REF. ONLY



RECOMMENDED
P.C. PATTERN, COMPONENT SIDE

ELECTRICAL SPECIFICATIONS @ 25°C unless otherwise noted:

D.C. RESISTANCE (@20°C): 4-2, 0.32 ohms max. 10-11, 0.03 ohms max.
6-7, 0.32 ohms max. 11-12, 0.03 ohms max.
9-10, 0.03 ohms max.

DIELECTRIC RATING: 3750VAC, 1 minute tested by applying 4500VAC for 1 second between 2-12(TIE 4+6)
1500VAC, 1 minute tested by applying 1800VAC for 1 second between 4-6

INDUCTANCE: 900uH ±10%, 10kHz, 100mVAC, 4-2, Ls.

LEAKAGE INDUCTANCE: 18.0uH max, 10KHz, 100mVAC, 4-2(Tie 6+7+9+10+11+12), Ls.

URNS RATIO:
(4-2):(6-7) = 6.75:1, ±2%.
(4-2):(9-10) = 13.5:1, ±2%.
(4-2):(10-11) = 54:1, ±2%.
(4-2):(11-12) = 27:1, ±2%.

Unless otherwise specified:
Tolerances:
Angles: ±1°
Fractions: ±1/64
Decimals: ±.005[.13]

This drawing is dual dimensioned.
Dimensions in brackets are in millimeters

DRAWING TITLE

TRANSFORMER

eiSos p/n: 750871831

REVISIONS: SEE SHEET 1

Midcom www.midcom-inc.com

DRAWING NO.

750871831

REV.

00
01/09

SCALE ---

SHEET 2 OF 5

DWG.# 750871831