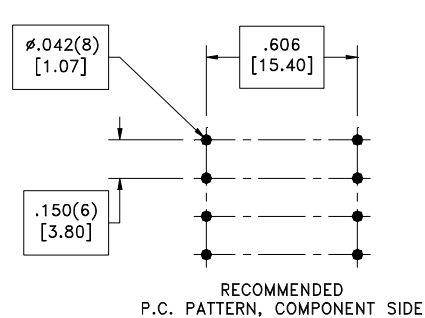
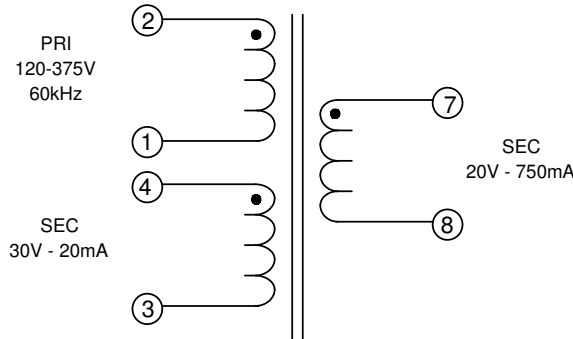
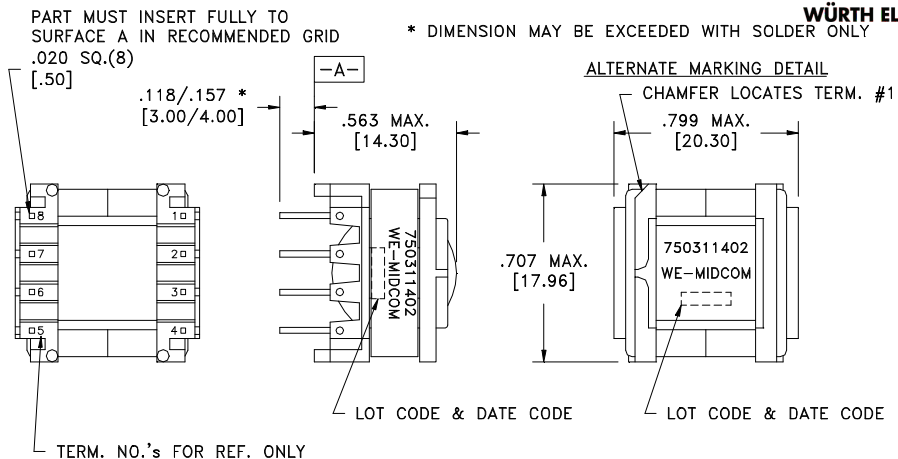


CUSTOMER TERMINAL	RoHS	LEAD(Pb)-FREE
Sn96%, Ag4%	Yes	Yes



ELECTRICAL SPECIFICATIONS @ 25°C unless otherwise noted:

D.C. RESISTANCE (@20°C):	1-2, 2.85 Ohms $\pm 10\%$. 3-4, 1.37 Ohms $\pm 10\%$. 7-8, 0.12 Ohms $\pm 20\%$.
DIELECTRIC RATING:	4000VAC, 1 minute tested by applying 4000VAC for 1 second between pins 1-8(tie 2+3). 500VAC, 1 minute tested by applying 625VAC for 1 second between pins 1-4.
INDUCTANCE:	1.48 mH $\pm 10\%$, 10kHz, 100mVAC, 0mADC, 1-2, Ls.
SATURATION CURRENT:	800mA saturating current that causes 20% rolloff from initial inductance.
LEAKAGE INDUCTANCE:	21 μ H typ., 35 μ H max., 100kHz, 100mVAC, 1-2(tie 3+4, 7+8), Ls.
URNS RATIO:	(2-1):(4-3), (3.846):(1), $\pm 1\%$. (2-1):(7-8), (5.769):(1), $\pm 1\%$.

Functional insulation for a primary circuit at a working voltage of 400VDC.

OPERATING TEMPERATURE RANGE: -40°C to 125°C including temp. rise.

T_0_5420

WE-Midcom, Inc. Watertown, SD USA Toll Free: 800-643-2661 Fax: 605-886-4486	Unless otherwise specified, tolerances are as follows: Angles: $\pm 1^\circ$ Fractions: $\pm 1/64$ Decimals: $\pm .005$ (.127mm)		WE-Midcom, Inc.	
	Drawing Title Transformer		Drawing Number 750311402	Rev. 01
This drawing is dual dimensioned. Dimensions in brackets are in millimeters	Revisions: See Sheet 1		Scale ----	Sheet 2 of 5
Engineer:APS			11/25/2009	