

- Eight transformers in a 40 pin surface mount package supports four transmit and four receive channels.
- Meets ITU-T G.703 and UL1950/EN60950
- Models matched to leading Quad and Dual ICs.
- Isolation Voltage: 1500 Vrms

Specifications

Schott P/N	Trans. Turns Ratio Pri:Sec +/- 3%	Rec. Turns Ratio Pri:Sec +/- 3%	Trans. Pri OCL MH Min	Rec. Pri OCL MH Min	Trans. Leakage UH MAX	Rec. Leakage UH MAX	Trans. IWC PF MAX	Rec. IWC PF MAX	Pin Out	Trans. Primary Pins	Rec. Primary Pins
37538	1:2CT	1:2CT	1.2	1.2	0.5	0.5	35	35	3	4-5,9-10,1-4-15,19-20	24-25,29-30,34-35,39-40
37539	1:2	1:2CT	1.5	1.5	0.6	0.6	35	35	4	1-2,9-10,1-1-12,19-20	23-25,26-28,33-35,36-38
37540	1:1.36CT	1:2CT	1.2	1.2	0.5	0.5	35	35	3	24-25,29-3-0,34-35,39-40	4-5,9-10,14-15,19-20
37541	1:2CT	1:1CT	1.2	1.2	0.5	0.5	35	35	2	1-2,6-7,11-12,16-17	21-22,26-27,31-32,36-37
37542	1:1.15	1:2CT	1.2	1.2	0.5	0.5	35	35	1	1-2,6-7,11-12,16-17	21-23,26-28,31-33,36-38
37543	1:1/1.26	1:2CT	1.2	1.2	0.5	0.5	35	35	2	1-2,6-7,11-12,16-17	21-22,26-27,31-32,36-37
37544	1:2CT	1CT:2	1.2	1.2	0.5	0.5	35	35	3	4-5,9-10,1-4-15,19-20	1-3,6-8,11-13,16-18

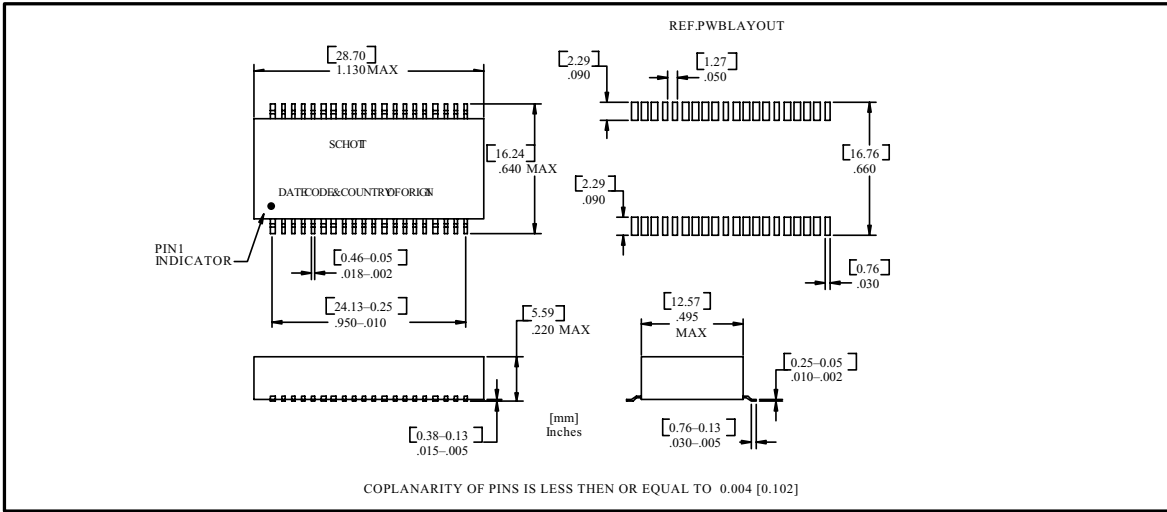
Parts availability subject to Schott manufacturing schedules and leadtimes. Not all parts available from stock. Please contact us for more details and availability. The Adobe Acrobat Reader is required to view these linked documents.

Electrical Specifications Test Criteria

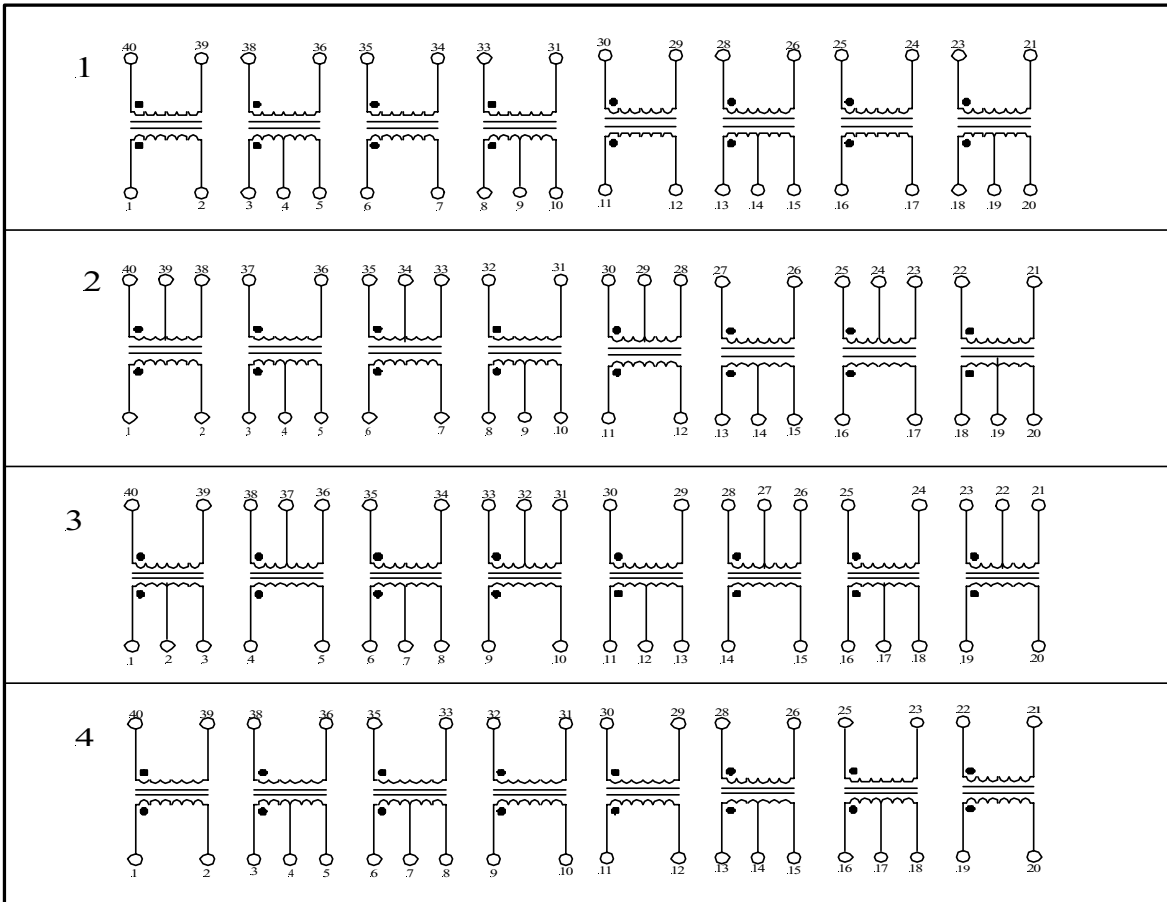
1. These Transformers are designed for operating within a temperature of 0°C to +70°C.
2. All electrical characteristics are reported for operating at 25°C.
3. Inductance is measured at 100kHz, 0.01 Vrms, Leakage at 1 MHz, 0.1 Vrms.
4. For complete parameters of the components listed above, request individual specification sheets.

All data is believed to be accurate at time of printing. Schott Corporation reserves the right to make changes without notification. "Schott" is a trade name of Schott Corporation. All other trademarks and trade names are the property of their respective holder.

MECHANICAL OUTLINE



SCHEMATICS



Schott Corporation
 1000 Parkers Lake Road
 Wayzata, Minnesota 55391
 U.S.A.

Tel: + (952) 475-1173

Fax: + (952) 475-1786

Email: salesd@schottcorp.com

Web: http://www.schottcorp.com

All statements and technical information contained herein are believed to be accurate, but the accuracy and completeness thereof is not guaranteed. If any product is found to be defective, Schott Corporation's (Seller) only obligation shall be to replace such quantity of the product proved to be defective. User shall determine the suitability of the product for the intended use, and user assumes all risk and liability whatsoever in connection herewith. Seller shall not be liable for any direct, consequential, or incidental loss or damage. Conditions not specifically stated herein shall be governed by established trade customs. Schott Corporation reserves the right to make changes without notification. "Schott" is a trade name of Schott Corporation. All other trademarks and trade names are the property of their respective holder.