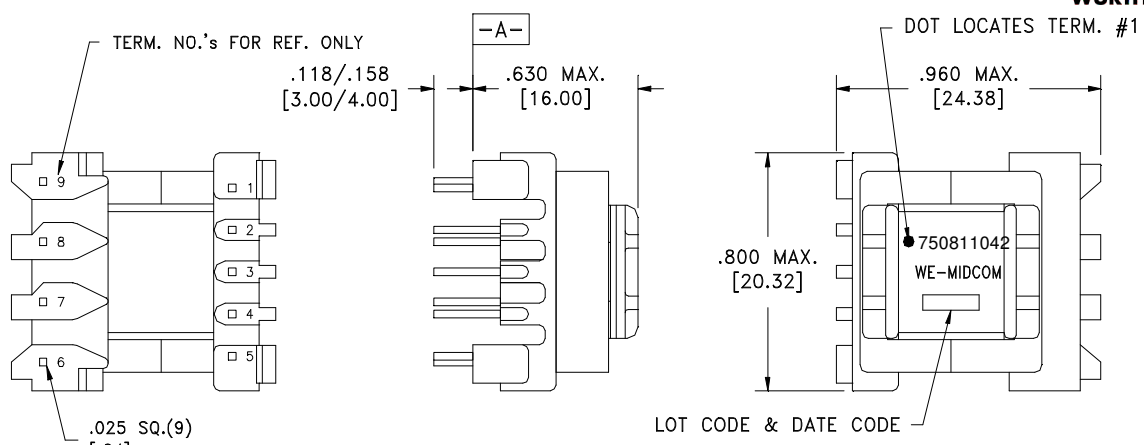
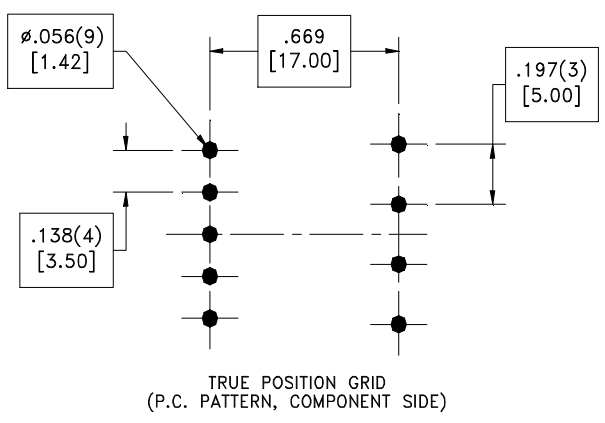
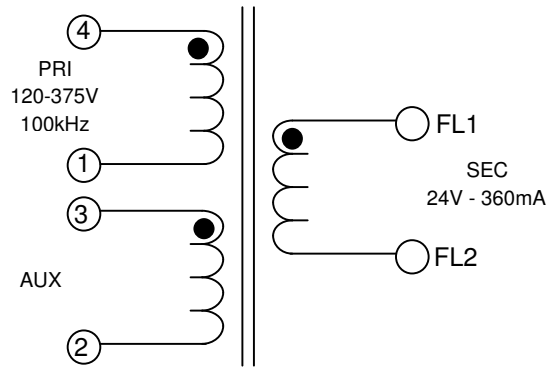


CUSTOMER TERMINAL	RoHS	LEAD(Pb)-FREE
Sn96%, Ag4%	Yes	Yes



.025 SQ.(9)  
[.64]  
PART MUST INSERT FULLY TO SURFACE A IN TRUE POSITION GRID



**ELECTRICAL SPECIFICATIONS @ 25°C unless otherwise noted:**

- D.C. RESISTANCE (@20°C):  
 1-4 , 1.60 Ohms ±10%.  
 2-3 , 0.195 Ohms ±10%.  
 7-8 , 0.097 Ohms ±10%.
- DIELECTRIC RATING:  
 4500VAC, 1 minute tested by applying 4500VAC for 1 second between pins 1-8(tie 1+2).  
 500VAC, 1 minute tested by applying 625VAC for 1 second between pins 1-2.
- INDUCTANCE:  
 1.80 mH ±10%, 10kHz, 100mVAC, 0mADC, 1-4, Ls.
- SATURATION CURRENT:  
 400mA saturating current that causes 20% rolloff from initial inductance.
- LEAKAGE INDUCTANCE:  
 12µH typ., 18µH max., 100kHz, 100mVAC, 1-4(tie 2+3, 7+8), Ls.
- URNS RATIO:  
 ( 4-1):( 3-2), ( 8.076):( 1 ), ±1%.  
 ( 4-1):( 7-8), ( 5.25):( 1 ), ±1%.

Designed to comply with the following requirements as defined by IEC61558-2-17:  
 - Reinforced insulation for a primary circuit at a working voltage of 400VDC.

OPERATING TEMPERATURE RANGE: -40°C to 125°C including temp. rise.

T\_0\_5280

<b>WE-Midcom, Inc.</b> Watertown, SD USA Toll Free: 800-643-2661 Fax: 605-886-4486	Unless otherwise specified, tolerances are as follows: Angles: ±1°      Fractions: ±1/64 Decimals: ±.005(.127mm)		<b>WE-Midcom, Inc.</b>	
	Drawing Title <h1>Transformer</h1>		Drawing Number <h2>750811042</h2>	Rev. 00
This drawing is dual dimensioned. Dimensions in brackets are in millimeters	Revisions: See Sheet 1		Scale ----	Sheet 2 of 5
Engineer:APS			04/13/2009	