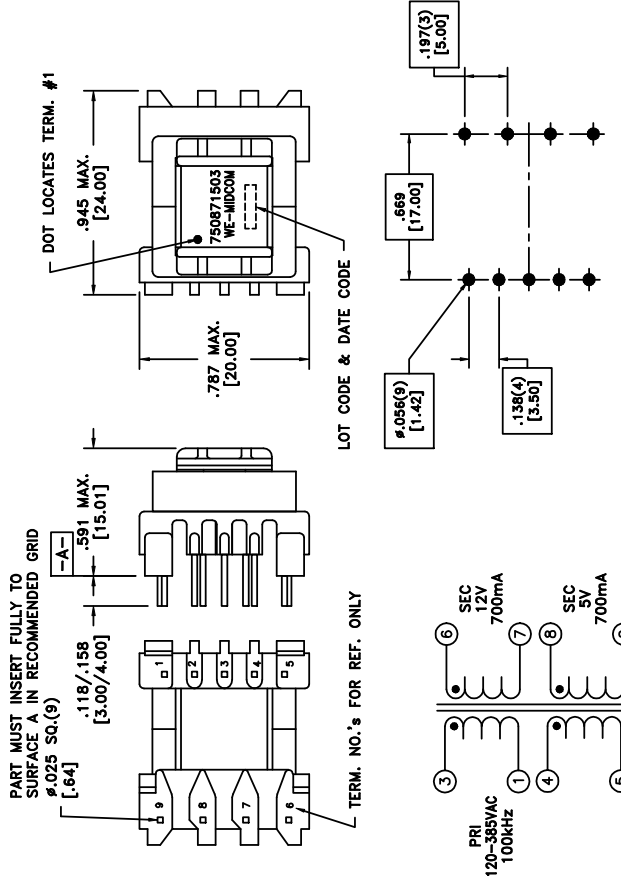


ELECTRICAL SPECIFICATIONS @ 25°C unless otherwise noted:

PARAMETER	TEST CONDITIONS	VALUE
D.C. RESISTANCE	1-3 @20°C	4.5 ohms MAX
D.C. RESISTANCE	5-4 @20°C	0.5 ohms MAX
D.C. RESISTANCE	6-7 @20°C	1.1 ohms max.
D.C. RESISTANCE	8-9 @20°C	1.1 ohms max.
INDUCTANCE	1-3 10kHz, 100mVAC, Lo	1.6mH ±10%
LEAKAGE INDUCTANCE	1-3 tie others pin 10kHz, 100mVAC, Ls	750uH max.
DIELECTRIC	1-6 tie(3+4,7+8) 4800VAC, 1 sec	4000VAC, 1 minute
DIELECTRIC	1-4 1800VAC, 1 sec	1500VAC, 1 minute
TURNS RATIO	(3-1):(4-5)	8.266:1, ±1%
TURNS RATIO	(3-1):(6-7)	8.266:1, ±1%
TURNS RATIO	(3-1):(8-9)	17.714:1, ±1%



RECOMMENDED P.C. PATTERN, COMPONENT SIDE

REV.	DATE
00	9/08

Packaging Specifications
Method: TRAY
PKG-0058
www.midcom-inc.com

Unless otherwise specified:
Tolerances: Fractions: ±1/64
Decimals: ±.005[.127]
Angles: ±1°
This drawing is dual dimensioned. Dimensions in brackets are in millimeters.

TRANSFORMER

e3os p/n: 750871530

DRAWING NO.

750871530

REVISIONS: SEE SHEET 1

SCALE ---

SHEET 2 OF 6

