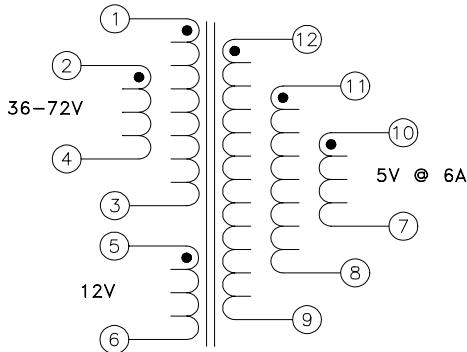
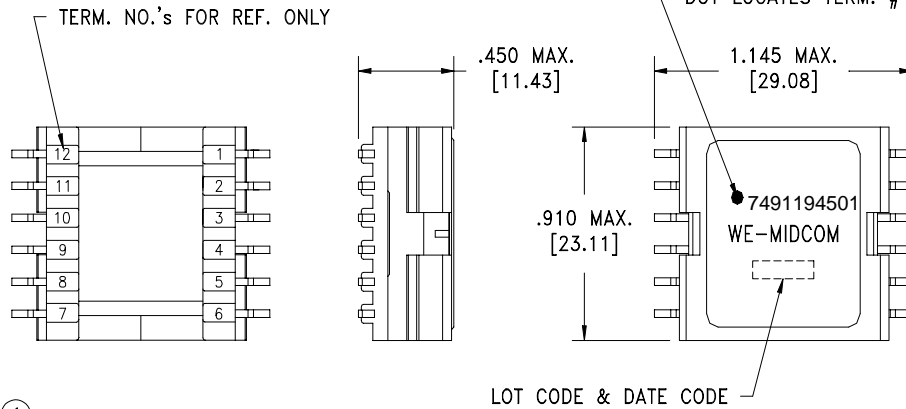
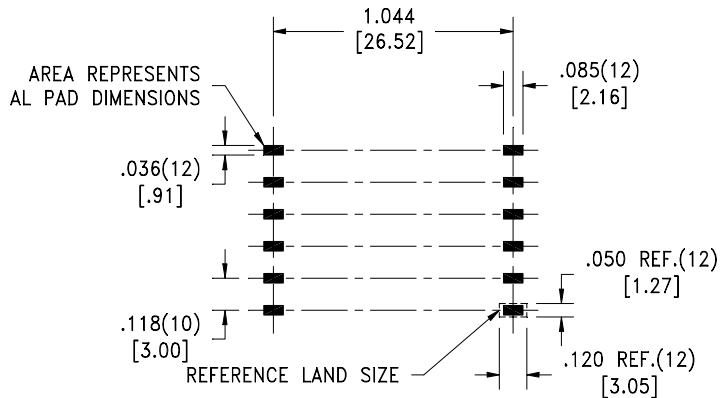


CUSTOMER TERMINAL	RoHS	LEAD(Pb)-FREE
Sn96%, Ag4%	Yes	Yes



Application of the transformer allows for the following groups of terminals to solder bridge: 1&2, 3&4, 10&11&12, and 7&8&9.



CUSTOMER TO DETERMINE LAND LAYOUT

ELECTRICAL SPECIFICATIONS @ 25°C unless otherwise noted:

D.C. RESISTANCE (@20°C):	1-3 (1+2,3+4), 0.084 Ohms ±20%.
	7-12 (7+8+9,10+11+12), 0.0050 Ohms ±20%.
	5-6, 0.225 Ohms ±20%.
DIELECTRIC RATING:	1500VAC, 1 minute tested by applying 1875VAC for 1 second between pins 1-12.
INDUCTANCE:	42.0µH ±10%, 250kHz, 700mVAC, 0mADC, 1-3, Ls.
	42.0µH ±10%, 250kHz, 700mVAC, 2.6ADC, 1-3(1+2,3+4), Ls.
LEAKAGE INDUCTANCE:	2µH max., 250kHz, 100mVAC, 1-3(1+2,3+4,7+8+9+10+11+12), Ls.
TURNS RATIO:	(1-3):(12-7), (7):(1.00), ±1%.
	(1-3):(11-8), (7):(1.00), ±1%.
	(1-3):(10-9), (7):(1.00), ±1%.
	(1-3):(5-6), (3.111):(1.00), ±1%.
	(1-3):(2-4), (1):(1.00), ±1%.

OPERATING TEMPERATURE RANGE: -40°C to 125°C.

Midcom, Inc. Watertown, SD USA Toll Free: 800-643-2661 Fax: 605-886-4486	Unless otherwise specified, tolerances are as follows: Angles: ±1° Fractions: ±1/64 Decimals: ±.005(.127mm)		Midcom, Inc.	
	Drawing Title Transformer		Drawing Number 7491194501	Rev. 00
This drawing is dual dimensioned. Dimensions in brackets are in millimeters	Revisions: See Sheet 1		Scale ----	Sheet 2 of 5
Engineer:PLP			07/31/2007	