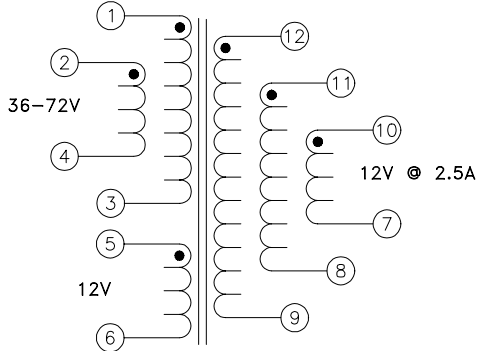
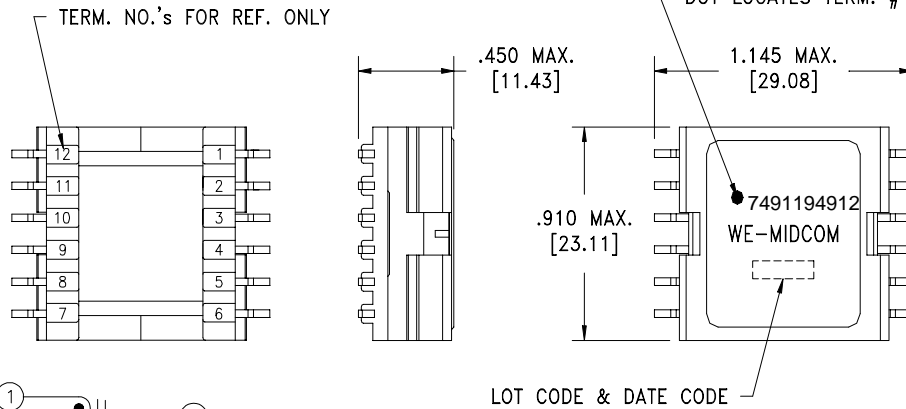
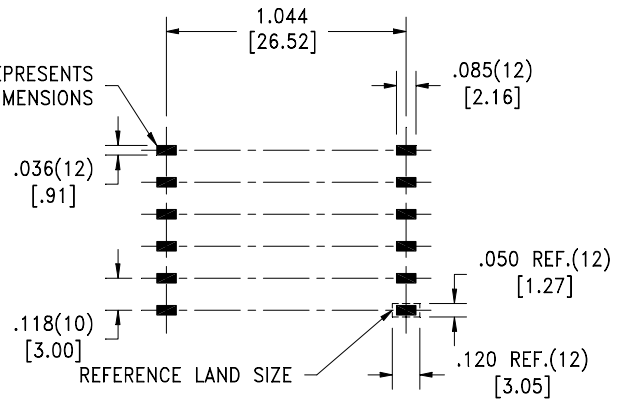


CUSTOMER TERMINAL	RoHS	LEAD(Pb)-FREE
Sn96%, Ag4%	Yes	Yes



Application of the transformer allows for the following groups of terminals to solder bridge: 1&2, 3&4, 10&11&12, and 7&8&9.



CUSTOMER TO DETERMINE LAND LAYOUT

**ELECTRICAL SPECIFICATIONS @ 25°C unless otherwise noted:**

D.C. RESISTANCE (@20°C):	1-3 (1+2,3+4), 0.061 Ohms ±20%. 7-12 (7+8+9,10+11+12), 0.0180 Ohms ±20%. 5-6, 0.180 Ohms ±20%.
DIELECTRIC RATING:	1500VAC, 1 minute tested by applying 1875VAC for 1 second between pins 1-12.
INDUCTANCE:	42.0µH ±10%, 250kHz, 700mVAC, 0mADC, 1-3, Ls. 42.0µH ±10%, 250kHz, 700mVAC, 2.6ADC, 1-3(1+2,3+4), Ls.
LEAKAGE INDUCTANCE:	545nH max., 250kHz, 100mVAC, 1-3(1+2,3+4,7+8+9+10+11+12), Ls.
URNS RATIO:	(1-3):(12-7), (3):(1.00), ±1%. (1-3):(11-8), (3):(1.00), ±1%. (1-3):(10-9), (3):(1.00), ±1%. (1-3):(5-6), (3):(1.00), ±1%. (1-3):(2-4), (1):(1.00), ±1%.

OPERATING TEMPERATURE RANGE: -40°C to 125°C.

Midcom, Inc. Watertown, SD USA Toll Free: 800-643-2661 Fax: 605-886-4486	Unless otherwise specified, tolerances are as follows: Angles: ±1°      Fractions: ±1/64 Decimals: ±.005 (.127mm)		Midcom, Inc.	
	Drawing Title <b>Transformer</b>		Drawing Number <b>7491194912</b>	Rev. <b>00</b>
This drawing is dual dimensioned. Dimensions in brackets are in millimeters	Revisions: See Sheet 1		Scale ----	Sheet 2 of 5
Engineer:PLP			07/31/2007	