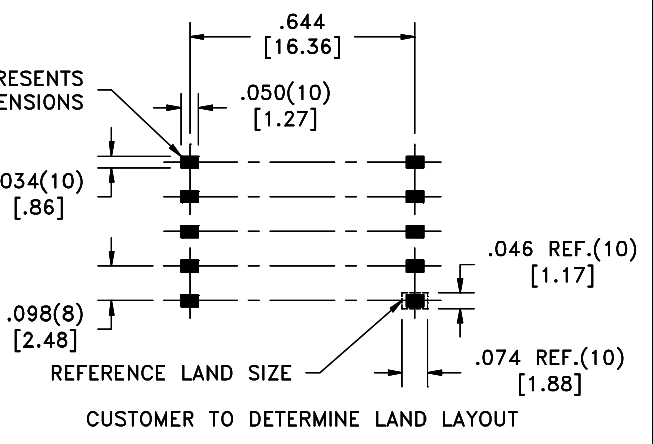
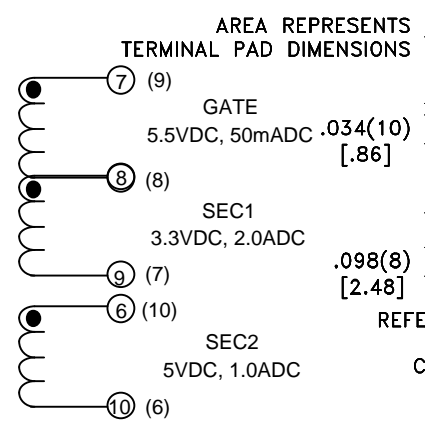
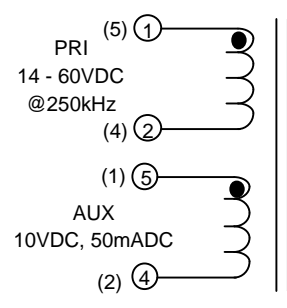
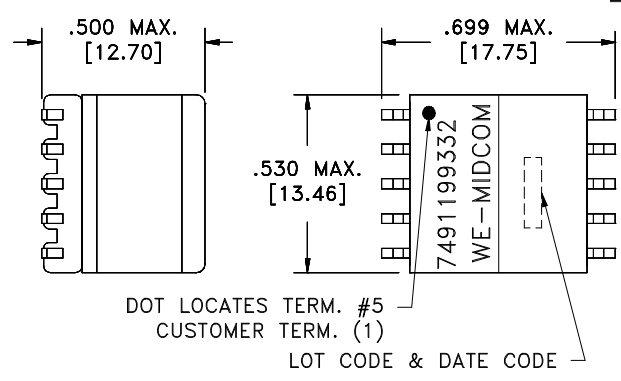
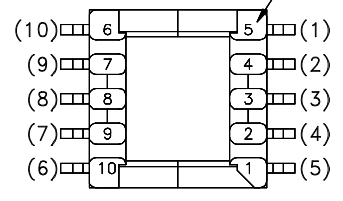


| | | |
|-------------------|------|---------------|
| CUSTOMER TERMINAL | RoHS | LEAD(Pb)-FREE |
| Sn96%, Ag4% | Yes | Yes |



TERM. NO.'s FOR REF. ONLY
CUSTOMER TERM. NO.'s IN ()



ELECTRICAL SPECIFICATIONS @ 25°C unless otherwise noted:

- D.C. RESISTANCE (@20°C):** 1-2 , 0.062 Ohms max.
5-4 , 0.225 Ohms max.
7-8 , 0.138 Ohms max.
8-9 , 0.012 Ohms max.
6-10 , 0.018 Ohms max.
- DIELECTRIC RATING:** 2000VAC for 1 second between pins 1-7(tie 6+9).
2000VAC for 1 second between pins 5-7(tie 6+9).
- INDUCTANCE:** 35µH ±10%, 250kHz, 200mVAC, 0mADC, 1-2, Ls.
30µH min., 250kHz, 200mVAC, 2.7ADC, 1-2, Ls.
- LEAKAGE INDUCTANCE:** 0.95µH max., 250kHz, 200mVAC, 1-2(tie 4+5, 7+9, 6+10), Ls.
- URNS RATIO:** (1-2):(5-4) , (2):(1.00) , ±3%.
(1-2):(7-9) , (3.6):(1.00) , ±3%.
(1-2):(8-9) , (6.0):(1.00) , ±3%.
(1-2):(6-10) , (3.6):(1.00) , ±3%.

OPERATING TEMPERATURE RANGE: -40°C to +125°C
AMBIENT TEMPERATURE RANGE: -40°C to +85°C.

| | | | | |
|--|---|------------|---------------------------------------|------------|
| Midcom, Inc. Watertown, SD USA Toll Free: 800-643-2661 Fax: 605-886-4486 | Unless otherwise specified, tolerances are as follows: Angles: ±1° Fractions: ±1/64 Decimals: ±.005 (.127mm) | | Midcom, Inc. | |
| | Drawing Title <h1>Transformer</h1> | | Drawing Number <h2>7491199332</h2> | Rev. 00 |
| Revisions: See Sheet 1 | | Scale ---- | Sheet 2 of 5 | |
| Engineer: EJK | | 11/08/2007 | | |