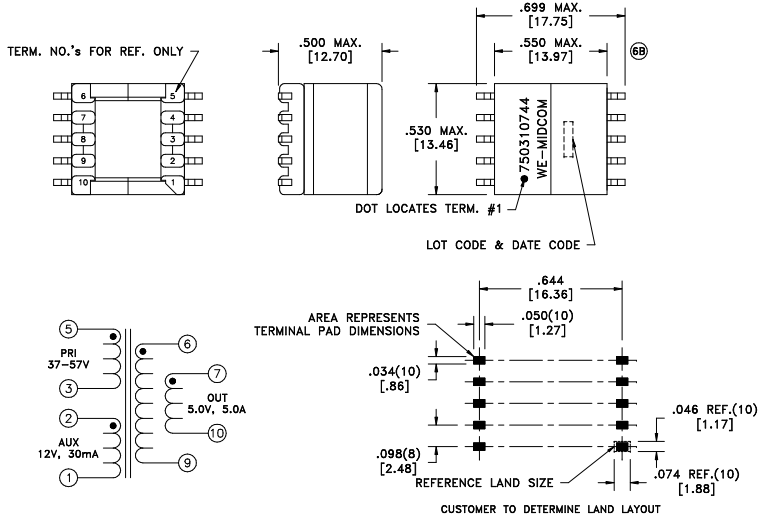


CUSTOMER TERMINAL	RoHS	LEAD(Pb)-FREE
Sn96%, Ag4%	Yes	Yes

more than you expect



ELECTRICAL SPECIFICATIONS @ 25°C unless otherwise noted:

PARAMETER	TEST CONDITIONS	VALUE
D.C. RESISTANCE	5-3 @20°C	0.082 ohms ±10%
D.C. RESISTANCE	6-9 @20°C	0.006 ohms ±10%
D.C. RESISTANCE	7-10 @20°C	0.006 ohms ±10%
D.C. RESISTANCE	2-1 @20°C	0.220 ohms ±10%
INDUCTANCE	5-3 100kHz, 100mVAC, Is	38.00uH ±10%
LEAKAGE INDUCTANCE	5-3 tie(1+2, 6+7+9+10), 100kHz, 100mVAC, Is	625nH max.
DIELECTRIC	5-6 tie(3+2, 9+10), 1875VAC, 1 second	1500VAC, 1 minute
DIELECTRIC	2-3 625VAC, 1 second	500VAC, 1 minute
URNS RATIO	(5-3):(6-9)	5:1, ±1%
URNS RATIO	(5-3):(7-10)	5:1, ±1%
URNS RATIO	(5-3):(2-1)	2:1, ±1%
URNS RATIO		

REV.	DATE	Packaging Specifications Method: Tape & Reel PKG-0499 www.midcom-inc.com		Tolerances unless otherwise specified: Angles: ±1° Fractions: ±1/64 Decimals: ±.005 [.13] Footprint: ±.005 [.13]	DRAWING TITLE TRANSFORMER	PART NO. 750310744
6B	9/08			This drawing is dual dimensioned. Dimensions in brackets are in millimeters.	eISos p/n: 750310744	SPECIFICATION SHEET 1 OF 1
6A	7/08	SEE REVISION SHEET FOR REVISION LEVEL				

