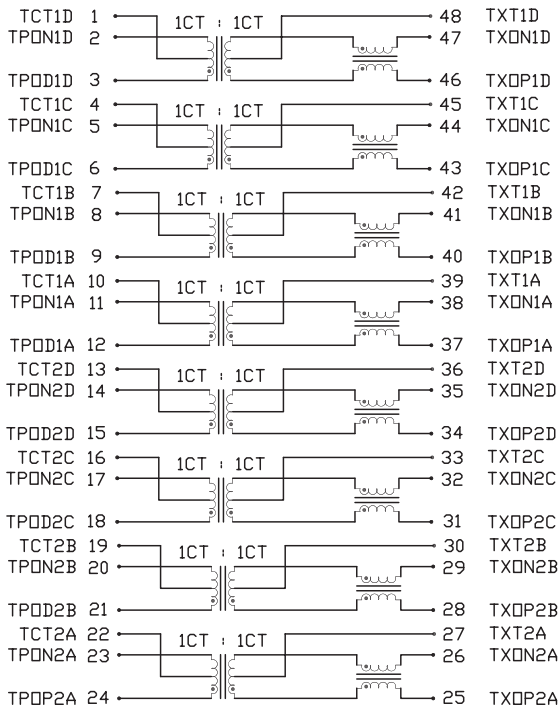


GIGABIT ETHERNET MAGNETICS

S558-5999-Q2-F Dual Transformer Module



SCHEMATIC



ELECTRICAL CHARACTERISTICS @ 25°C

URNS RATIO 1CT : 1CT ±2%

DCL 350µH MIN. @100kHz, 100mV, WITH 8mA D.C. BIAS.
 PIN (46-47), (43-44), (40-41), (37-38)
 PIN (34-35), (31-32), (28-29), (25-26)

| | | | | | |
|----------------|-------|-------|-------|--------|--------|
| INSERTION LOSS | FREQ. | 1MHz | 65MHz | 100MHz | 125MHz |
| | MAX. | 1.1dB | 0.5dB | 0.8dB | 1.2dB |

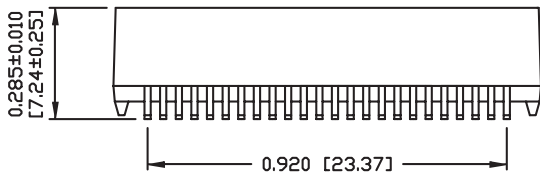
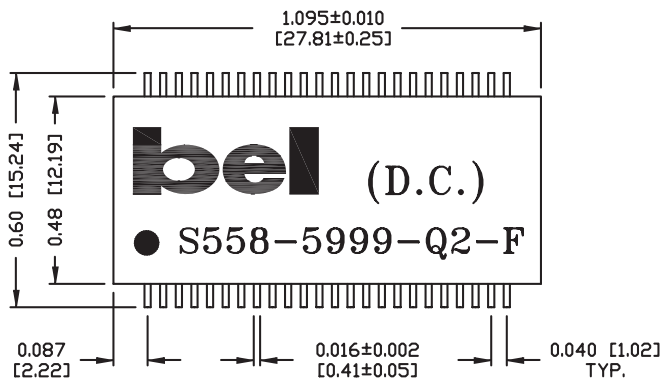
RETURN LOSS 18dB MIN. @ 0.5 TO 40 MHz
 MEASURED UNDER A
 100 Ω ENVIRONMENT 12-20LOG(f/80MHz)dB MIN. @ 40 TO 100MHz.

COMMON TO COMMON
 MODE REJECTION 30dB MIN. @ 0.1 TO 100MHz.

CROSS TALK 33+20LOG(f/100MHz)dB MIN. @ 1 TO 100MHz.

HIPOT PER HAND-WORK-03

GIGABIT ETHERNET MAGNETICS
S558-5999-Q2-F Dual Transformer Module



NOTES:

- STANDARD MARKING REFER TO DOC. HAND-WORK-04.
- PACKAGE CODE: 'QVS001'.

SUGGESTED PCB PAD LAYOUT

