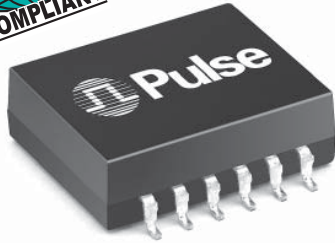


# 10/100BASE-TX SINGLE PORT TRANSFORMER MODULES

## With Various Transmit Turns Ratios



- RoHS peak reflow temperature rating 245°C
- Compact symmetrical size facilitates chip shooter placement and reduces manufacturing time
- Meets IEEE 802.3 specification

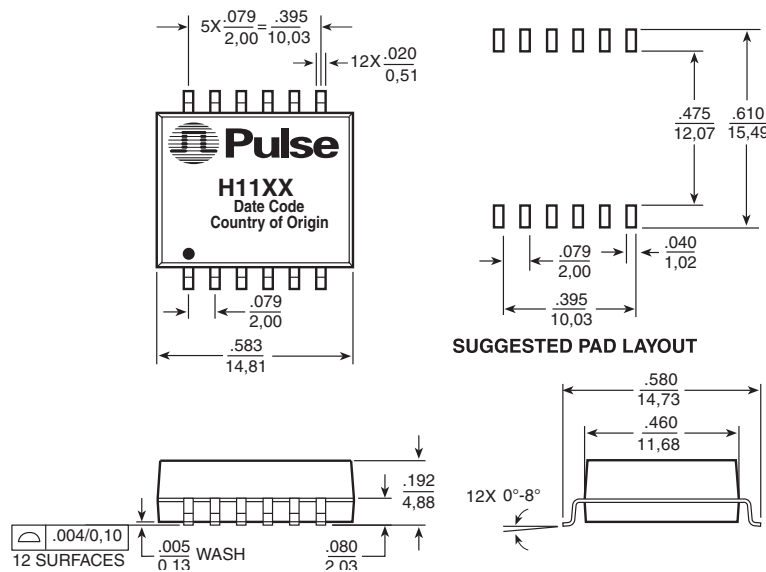
### Electrical Specifications @ 25°C — Operating Temperature 0°C to 70°C

RoHS Compliant Part Number 1	Turns Ratio (TRANSMIT)	Insertion Loss (dB MAX)	Return Loss (dB MIN)				Differential to Common Mode Rejection (dB TYP)				Crosstalk (dB MIN)				Hipot (Vrms)
			100 kHz-100 MHz	1-30 MHz	40 MHz	50 MHz	60-80 MHz	30 MHz	60 MHz	100 MHz	200 MHz	1 MHz	30 MHz	60 MHz	
H1112NL 2c	1CT:1CT	1.2	-16	-14	-13	-12	-59	-49	-42	-37	-60	-40	-40	-35	1500
H1126NL 2c	1CT: 2CT	1.2	-16	-14	-13	-12	-59	-49	-42	-37	-60	-40	-40	-35	1500

1. For Tape & Reel packaging, add a "T" suffix at the end of the part number when ordering e.g. H1112NLT.
2. MSL = Moisture Sensitivity Level a = 1, b = 2, c = 3, d = 4

## Mechanical

### H1112NL, H1126NL



**Dimensions:**  $\frac{\text{Inches}}{\text{mm}}$

Unless otherwise specified, all tolerances are  $\pm \frac{.010}{0,25}$

**Weight** . . . . . 1.7 grams  
**Tape & Reel** . . . . . 350/reel  
**Tube** . . . . . 35/tube

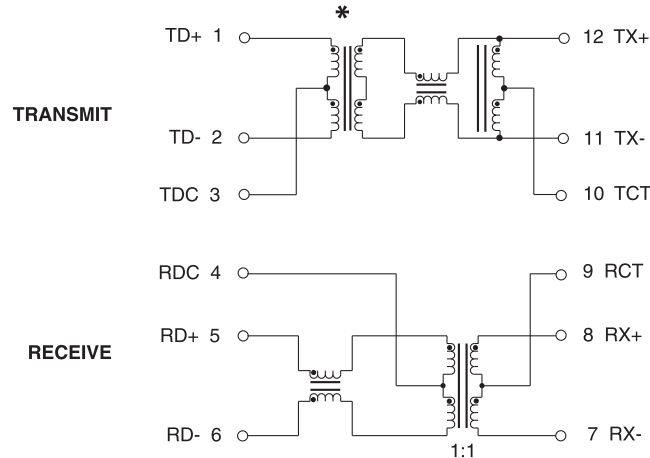
# 10/100BASE-TX SINGLE PORT TRANSFORMER MODULES

## With Various Transmit Turns Ratios



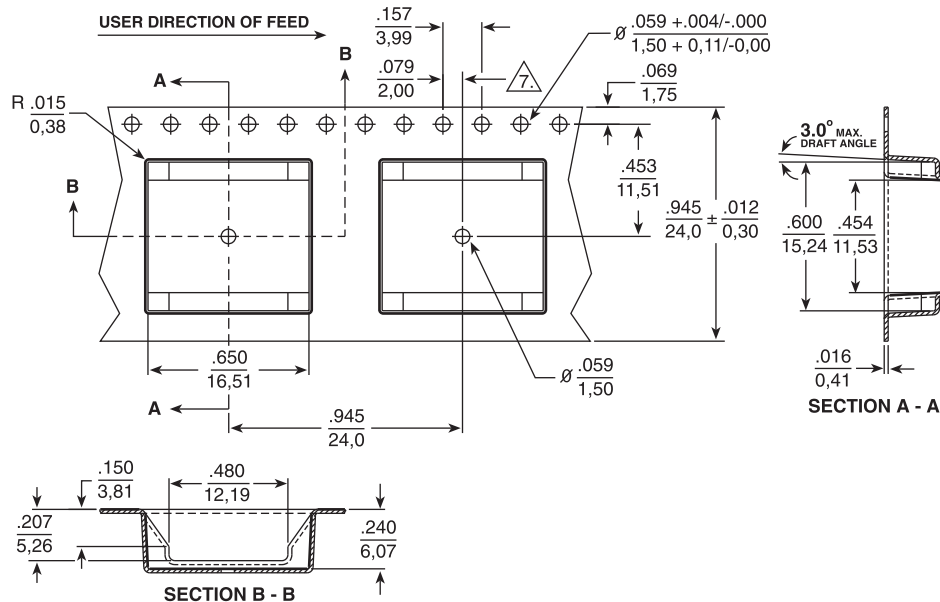
### Schematic

**H1112NL, H1126NL**



\* Reference Electrical Specifications chart for turns ratio.

### Tape & Reel Specifications



### For More Information:

#### Pulse Worldwide Headquarters

12220 World Trade Dr.  
San Diego, CA 92128  
U.S.A.

[www.pulseeng.com](http://www.pulseeng.com)

Tel: 858 674 8100  
Fax: 858 674 8262

#### Pulse Europe

Einsteinstrasse 1  
D-71083 Herrenberg  
Germany

Tel: 49 7032 7806 0  
Fax: 49 7032 7806  
135

#### Pulse China Headquarters

B402, Shenzhen Academy of  
Aerospace Technology Bldg.  
10th Kejian Rd.  
High-Tech Zone  
Nanshan District

Shenzen, PR China 518057  
TEL: 86 755 33966678  
FAX: 86 755 33966700

#### Pulse North China

Room 1503  
XinYin Building  
No. 888 YiShan Rd.  
Shanghai 200233  
China

Tel: 86 21 54643211/2  
Fax: 86 21 54643210

#### Pulse South Asia

135 Joo Seng Rd.  
#03-02  
PM Industrial Bldg.  
Singapore 368363

TEL: 65 6287 8998  
FAX: 65 6280 0080

#### Pulse North Asia

No. 26, Kao Ching Rd.  
Yang Mei Chen  
Taoyuan Hsien  
Taiwan  
R. O. C.

Tel: 886 3 4643715  
Fax: 886 3 4641911

Performance warranty of products offered on this data sheet is limited to the parameters specified. Data is subject to change without notice. Other brand and product names mentioned herein may be trademarks or registered trademarks of their respective owners.

© Copyright, 2009. Pulse Engineering, Inc. All rights reserved.

[www.pulseeng.com](http://www.pulseeng.com)