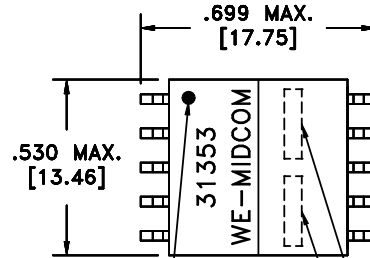
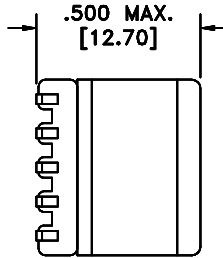
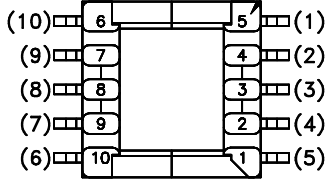


SOLDER SUFFIX	CUSTOMER TERMINAL	RoHS	LEAD(Pb)-FREE	6E
	Sn63%, Pb37%	No	No	
LF1	Sn96%, Ag4%	Yes	Yes	

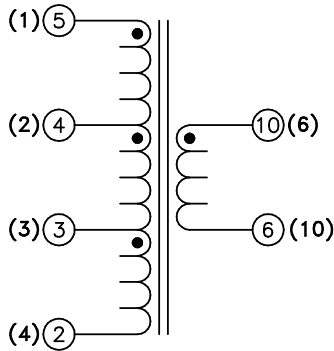
TERM. NO.'s FOR REF. ONLY
CUSTOMER TERM. NO's IN ()



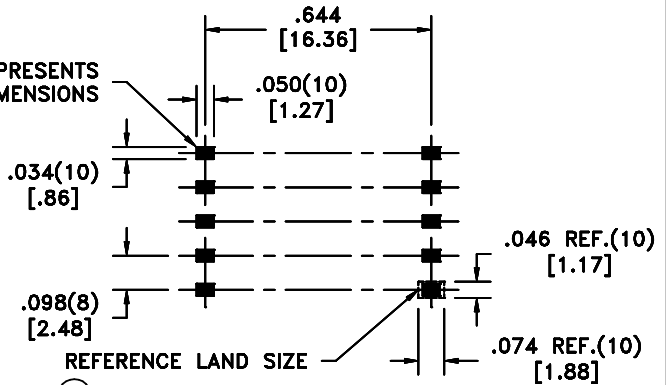
DOT LOCATES TERM. #5
CUSTOMER TERM. (1)

LOT CODE & DATE CODE

SOLDER SUFFIX



AREA REPRESENTS
TERMINAL PAD DIMENSIONS



6B CUSTOMER TO DETERMINE LAND LAYOUT

ELECTRICAL SPECIFICATIONS @ 25°C unless otherwise noted:

D.C. RESISTANCE (@20°C): 5-2, 0.12 ohms max.
10-6, 0.72 ohms max.


DIELECTRIC RATING: 500VAC, 1 minute tested by applying 625VAC for 1 second between 5-10.

INDUCTANCE: 11.30uH ±10%, 100kHz, 100mVAC, 5-4, Ls.

URNS RATIO:
(10-6):(5-4) = 5:1, ±1%.
(10-6):(4-3) = 5:1, ±1%.
(10-6):(3-2) = 5:1, ±1%.

Midcom p/n 31353R-LF1 is eiSos p/n 750031353.

6E Designed to meet the specifications of Silicon Laboratories p/n: Si3210 Rev. B.
DETAILS SUBJECT TO CHANGE

Unless otherwise specified: Tolerances: Angles: ±1° Fractions: ±1/64 Decimals: ±.005[.13]	DRAWING TITLE TRANSFORMER	Midcom  www.midcom-inc.com	DRAWING NO. 31353R/-LF1 REV. 6J 11/07	DWG.# 31353R/-LF1
	eiSos p/n: 750031353	REVISIONS: SEE SHEET 1		
This drawing is dual dimensioned. Dimensions in brackets are in millimeters.				