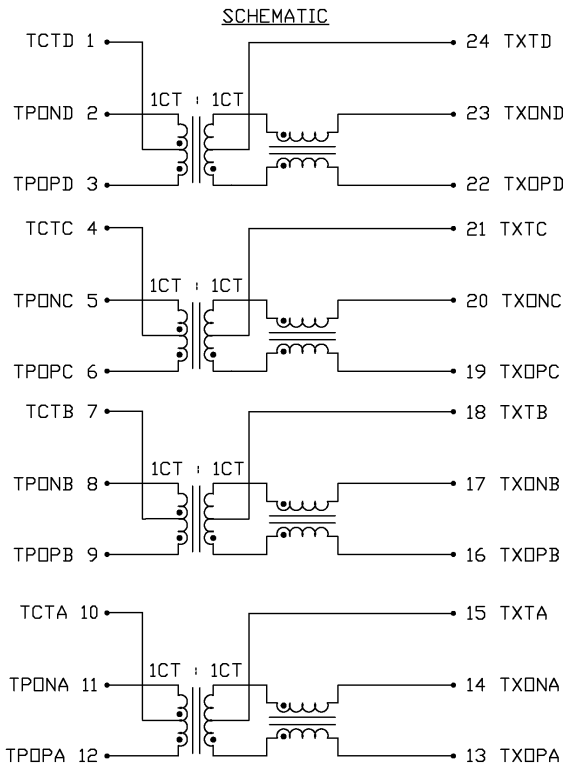


THE INFORMATION CONTAINED HEREIN IS CONSIDERED 'PROPRIETARY' TO BEL FUSE INC. AND SHALL NOT BE COPIED, REPRODUCED OR DISCLOSED WITHOUT THE WRITTEN APPROVAL OF BEL FUSE INC.



ELECTRICAL CHARACTERISTICS @ 25°C



<p>URNS RATIO</p> <p>PIN(3-1-2) : (22-24-23) 1CT : 1CT</p> <p>PIN(6-4-5) : (19-21-20) 1CT : 1CT</p> <p>PIN(9-7-8) : (16-18-17) 1CT : 1CT</p> <p>PIN(12-10-11) : (13-15-14) 1CT : 1CT</p>	
<p>DCL</p>	<p>350μH MIN. @ 100kHz, 100mV WITH 8mA DC BIAS</p>
<p>INSERTION LOSS</p>	<p>1.1dB MAX. @ 0.1 TO 1MHz 0.5dB MAX. @ 1 TO 65MHz 1.0dB MAX. @ 80MHz 1.2dB MAX. @ 125MHz</p>
<p>RETURN LOSS UNDER 100 OHMS±15% ENVIRONMENT</p>	<p>18dB MIN. @ 0.5 TO 40 MHz 12-20LOG (f/80MHz) MIN. @ 40 TO 100 MHz</p>
<p>COMMON TO COMMON REJECTION</p>	<p>30dB MIN. @ 0.1 TO 100 MHz</p>
<p>CROSSTALK</p>	<p>33-20LOG (f/100MHz) dB MIN. @ 1 TO 100MHz</p>
<p>HIPOT</p>	<p>PER HAND-WORK-03</p>

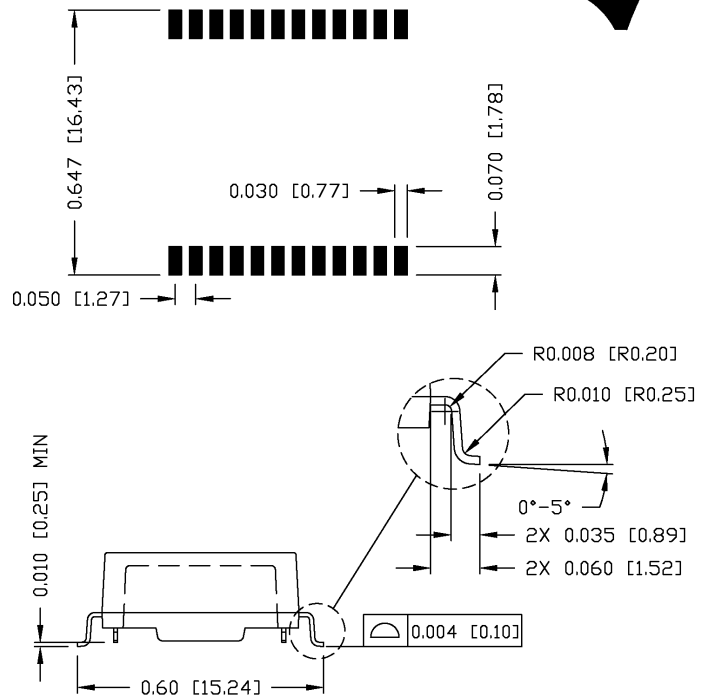
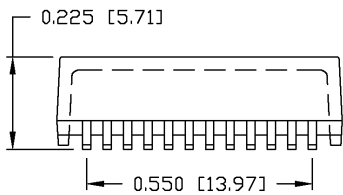
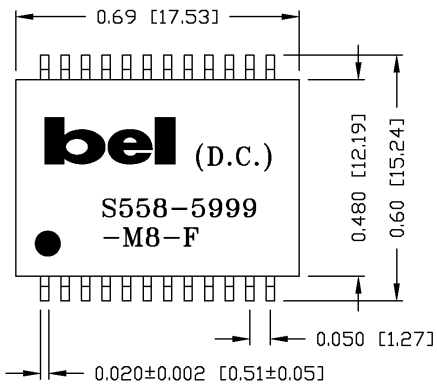
ORIGINATED BY	DATE	TITLE	PART NO. / DRAWING NO.	STANDARD DIM. TOL. IN INCH	[] METRIC DIM. AS REFERENCE	<p>COMPONENTS CONNECTIONS PLANET</p>	
HO	12-01-05	ELECTRICAL SPECIFICATION S558-5999-M8-F	X5585999M8-F	.X	UNIT : INCH [mm]		REV. : A
DRAWN BY	DATE		FILE NAME	.XX	SCALE : N/A		SIZE : A4
DQ Chen	12-01-05		X5585999M8FA.DWG	.XXX		PAGE : 2	

DC002(2)032305

This document is electronically generated. This is a controlled copy if used internally

THE INFORMATION CONTAINED HEREIN IS CONSIDERED "PROPRIETARY" TO BEL FUSE INC. AND SHALL NOT BE COPIED, REPRODUCED OR DISCLOSED WITHOUT THE WRITTEN APPROVAL OF BEL FUSE INC.

SUGGESTED PCB PAD LAYOUT



NOTES:

- STANDARD MARKING REFER TO DOC. HAND-WORK-04.
- PACKAGE CODE: "RQS001".

ORIGINATED BY Lawrence	DATE 12-01-05	TITLE MECHANICAL DRAWING S558-5999-M8-F	PART NO. / DRAWING NO. X5585999M8-F	STANDARD DIM. TOL. IN INCH .X .XX ±0.01 .XXX ±0.005	[] METRIC DIM. AS REFERENCE UNIT : INCH [mm] SCALE : N/A	REV. : A SIZE : A4 PAGE : 3	bel COMPONENTS OF A CONNECTED PLANET
DRAWN BY DQ Chen	DATE 12-01-05		FILE NAME X5585999M8FA.DWG				

DC002(2)032305

This document is electronically generated. This is a controlled copy if used internally