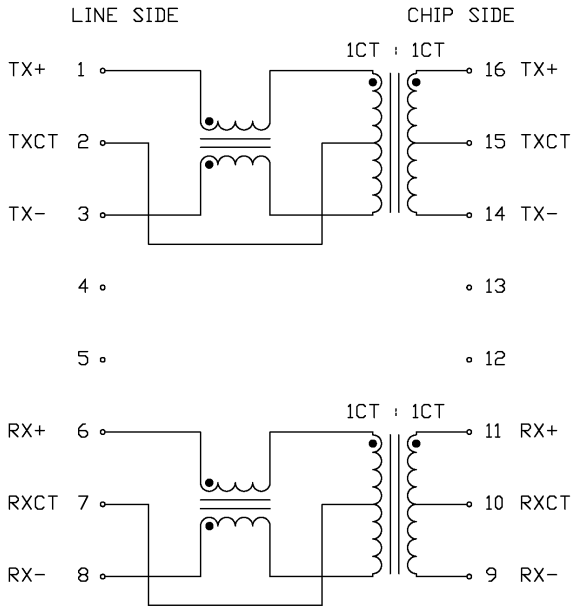


THE INFORMATION CONTAINED HEREIN IS CONSIDERED "PROPRIETARY" TO BEL FUSE INC. AND SHALL NOT BE COPIED, REPRODUCED OR DISCLOSED WITHOUT THE WRITTEN APPROVAL OF BEL FUSE INC.

ELECTRICAL CHARACTERISTICS @25°C



SCHEMATIC



<p>URNS RATIO PIN 1-2-3 : 16-15-14 PIN 6-7-8 : 11-10-9</p> <p>CL PIN 16-14 11-9</p> <p>LEAKAGE INDUCTANCE, L_e PIN 16-14 (SHORT 1-3) PIN 11-9 (SHORT 6-8)</p> <p>INTERWINDING CAPACITANCE, C_w/w PIN 1-3 TO 16-14 PIN 6-8 TO 11-9</p> <p>WINDING RESISTANCE, DCR PIN 1-3 ; 6-8 PIN 16-14 ; 11-9</p> <p>INSERTION LOSS @ 100kHz-100MHz</p> <p>RETURN LOSS @ 1MHz-30MHz @ 30-60MHz @ 60-80MHz</p> <p>CROSSTALK @ 100kHz-100MHz</p> <p>CM TO CM MODE REJ. @ 100kHz-100MHz</p> <p>CM TO DM MODE REJ. @ 100kHz-100MHz</p> <p>HIPOT</p>	<p>1CT : 1CT 1CT : 1CT</p> <p>350μH MIN. @ 100kHz, 100mVrms W/8mA DC BIAS</p> <p>300nH MAX. @ 1MHz, 20mVrms</p> <p>30pF MAX. @ 1MHz, 20mVrms</p> <p>2.0 Ω MAX. 1.0 Ω MAX.</p> <p>1.0dB MAX.</p> <p>18dB MIN. 18-20 LOG (F/30MHz) MIN. 10dB MIN.</p> <p>35dB MIN.</p> <p>30dB MIN.</p> <p>40dB MIN.</p> <p>1500Vrms</p>
--	---

ORIGINATED BY HQ	DATE 05-23-06	TITLE 10/100BT MAGNETICS MODULE	PART NO. / DRAWING NO. X5585999J1-F	STANDARD DIM. TOL. IN INCH	[] METRIC DIM. AS REFERENCE	<p>COMPONENTS ON A CONNECTED PLANE</p>
DRAWN BY DQ Chen	DATE 05-23-06	TITLE S558-5999-J1-F	FILE NAME X5585999J1FA.DWG	.X .XX .XXX	UNIT : INCH [mm] REV. : A	
				SCALE : N/A	SIZE : A4	
					PAGE : 2	

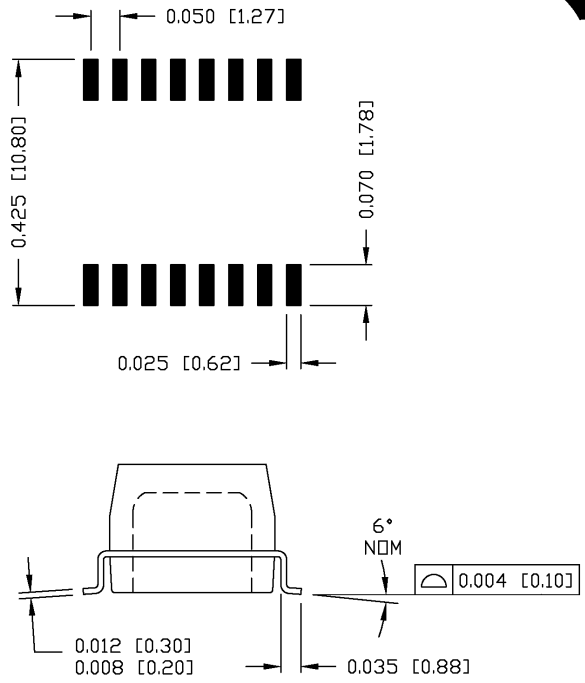
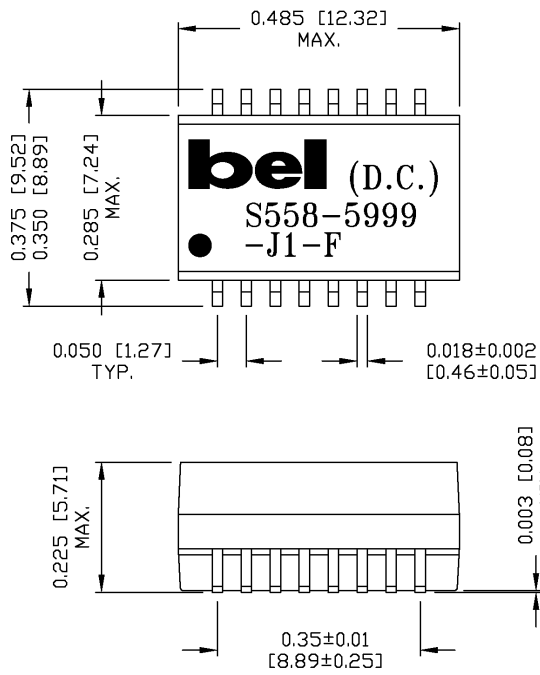
DC002(2)032305

This document is electronically generated. This is a controlled copy if used internally

THE INFORMATION CONTAINED HEREIN IS CONSIDERED "PROPRIETARY" TO BEL FUSE INC. AND SHALL NOT BE COPIED, REPRODUCED OR DISCLOSED WITHOUT THE WRITTEN APPROVAL OF BEL FUSE INC.



SUGGESTED PCB PAD LAYOUT



NOTES:

1. STANDARD MARKING REFER TO DOC. HAND-WORK-04.
2. PACKAGE CODE: "QBS001".

ORIGINATED BY	DATE	TITLE	PART NO. / DRAWING NO.	STANDARD DIM. TOL. IN INCH	[] METRIC DIM. AS REFERENCE	 COMPONENTS OF A CONNECTED PLANET	
HO	05-23-06	MECHANICAL DRAWING	X5585999J1-F	.X	UNIT : INCH [mm]		REV. : A
DRAWN BY	DATE		FILE NAME	.XX ±0.01	SCALE : N/A		SIZE : A4
DQ Chen	05-23-06	S558-5999-J1-F	X5585999J1FA.DWG	.XXX ±0.005		PAGE : 3	

DC002(2)032305

This document is electronically generated. This is a controlled copy if used internally